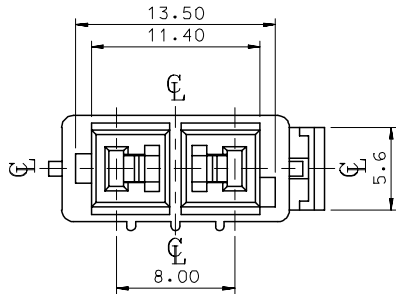
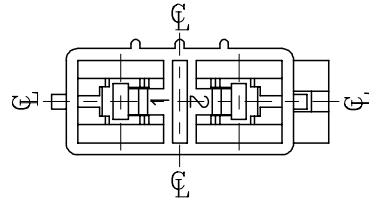


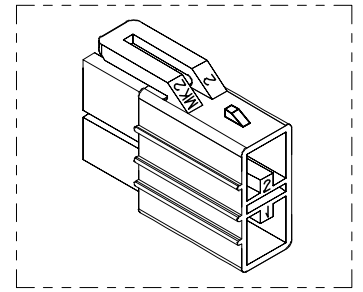
10 9 8 7 6 5 4 3 2 1



VIEW "A"

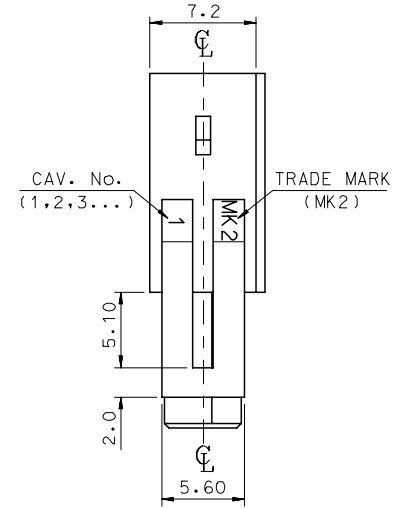
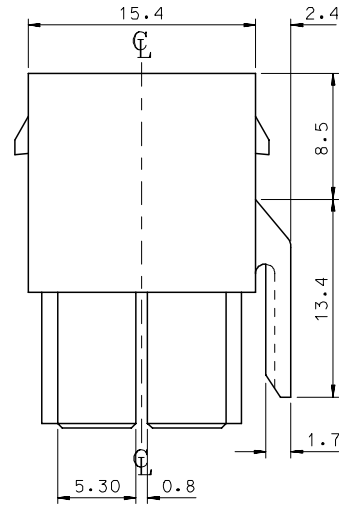
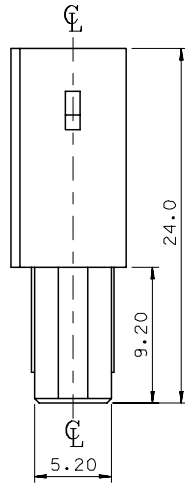


↑ "A"



NOTES

1. MATERIAL & COLOR : SEE TABLE
2. MATCHED HOUSING : 35180-060*
3. APPLICABLE TERMINAL : 35748-0*10
4. APPLICABLE T.P.A : 35182-019*



NO	PRODUCT		MATERIAL	
	PART NO	MATERIAL NO	COLOR	DESCRIPTION
1	35181-0220	351810220	NATURAL	PBT (UL94V-0)
2	35181-0229	351810229	NATURAL	PBT/PC(UL94V-0)

REVISED	DESCRIPTION
EC NO: KOR2008-0078	2007/09/10
DRWN: JHPARK01	2007/09/10
CHKD: WY. YANG	2007/09/10
APPR: YUNSIKKIM	2007/09/10

QUALITY SYMBOLS	GENERAL TOLERANCES (UNLESS SPECIFIED)
▽=0	mm INCH
▽=0	4 PLACES ± --- ± ---
	3 PLACES ± --- ± ---
	2 PLACES ± --- ± ---
	1 PLACE ± 0.3 ± ---
	ANGULAR ± 1 °
	DRAFT WHERE APPLICABLE MUST REMAIN WITHIN DIMENSIONS

DIMENSION STYLE		SCALE	DESIGN UNITS	THIRD ANGLE PROJECTION
MM ONLY		3:1	METRIC	
DRAWN BY	DATE	TITLE		
JS. KANG		.070 MULTI W/W CONN FEMALE HSG-2P(C)		
CHECKED BY	DATE			
APPROVED BY	DATE			
MATERIAL NO.	DOCUMENT NO.	SHEET NO.		
		1 OF 01		

MOLEX INCORPORATED	
SD-35181-022*	
THIS DRAWING CONTAINS INFORMATION THAT IS PROPRIETARY TO MOLEX INCORPORATED AND SHOULD NOT BE USED WITHOUT WRITTEN PERMISSION	

9 8 7 6 5 4 3 2 1