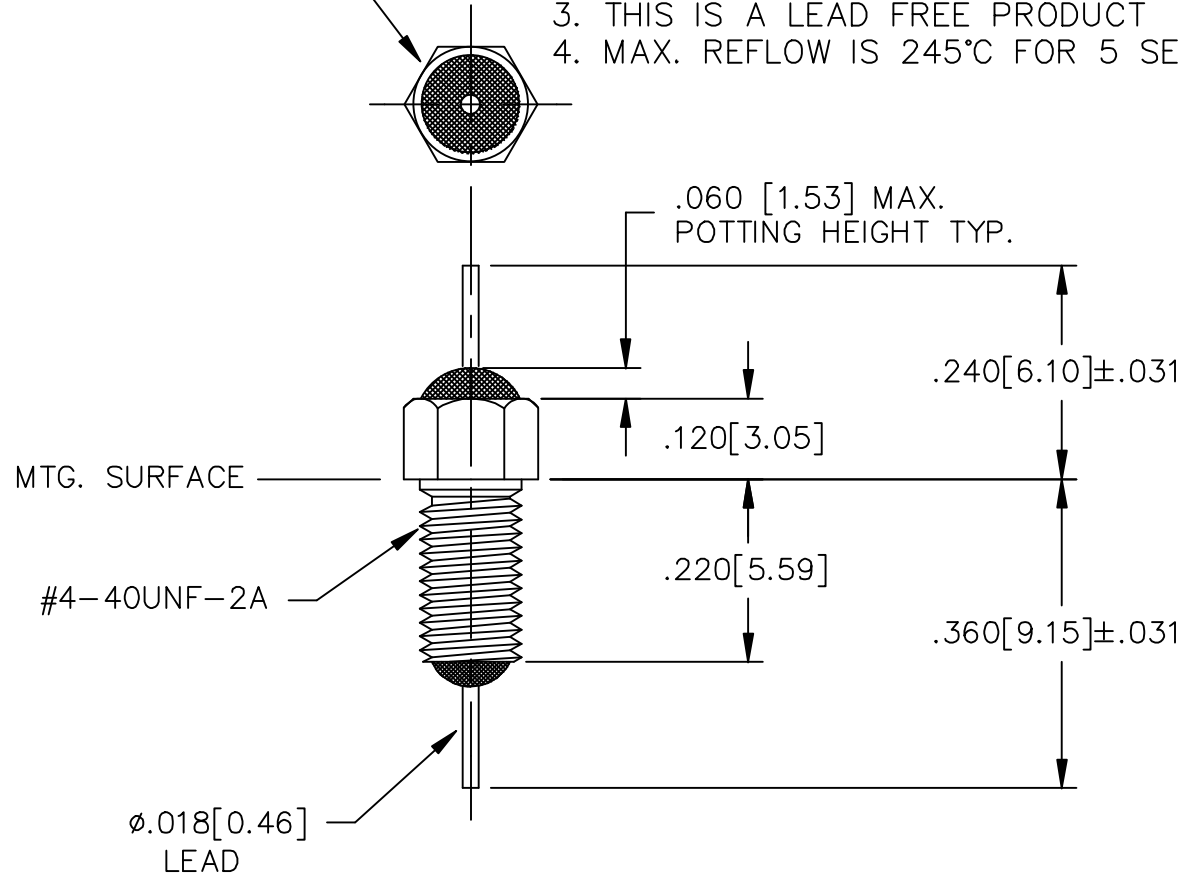


.156[3.97] HEX

NOTES:

1. MAX. MOUNTING TORQ. = 1.5lb-in.
2. HARDWARE IS INCLUDED.
3. THIS IS A LEAD FREE PRODUCT
4. MAX. REFLOW IS 245°C FOR 5 SECONDS

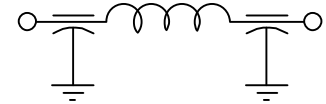


LEAD FINISH: SILVER	
BUSHING FINISH: SILVER	
CAPACITANCE	7000pF GMV
TEMP. RANGE	-55°C TO 125°C
CURRENT	5 AMP MAX.
WORKING VOLTAGE	85°C -- VDC MAX. 125°C 50 VDC MAX.
D.C. RESISTANCE	0.1ohms MAX.

MIN. I.L. PER MIL-STD-220 AT 25°C NO LOAD

FREQ. MHz	I.L. (db)
3	8
10	15
30	40
100	65
300	70
1 GHz	70

SCHEMATIC

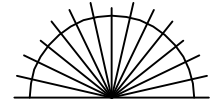


MARKING:

PART: SCIF312 (FAIRVIEW)  
SCIF312M (MEXICO)

BAG:  
51F-729-312  
DATE CODE  
QTY./BAG (50 MAX.)



	00	REV. NID.	TOLERANCES UNLESS OTHERWISE SPECIFIED	 SPECTRUM CONTROL INC.	FAIRVIEW PENNSYLVANIA	
	CN 32248-CPD	CHANGE NOTICE	Fractions ± 1/64		Dwn. KAUFFMAN	Description Pi
			Dec. .xx±		Date 1-2-07	RESIN SEAL FILTER
			Dec. .xxx± .005 [.13]		Engr. Struchen	
			Angles ±0° 30'		Scale NONE	51F-729-312
			CODE IDENT. NO. OLSP2			

