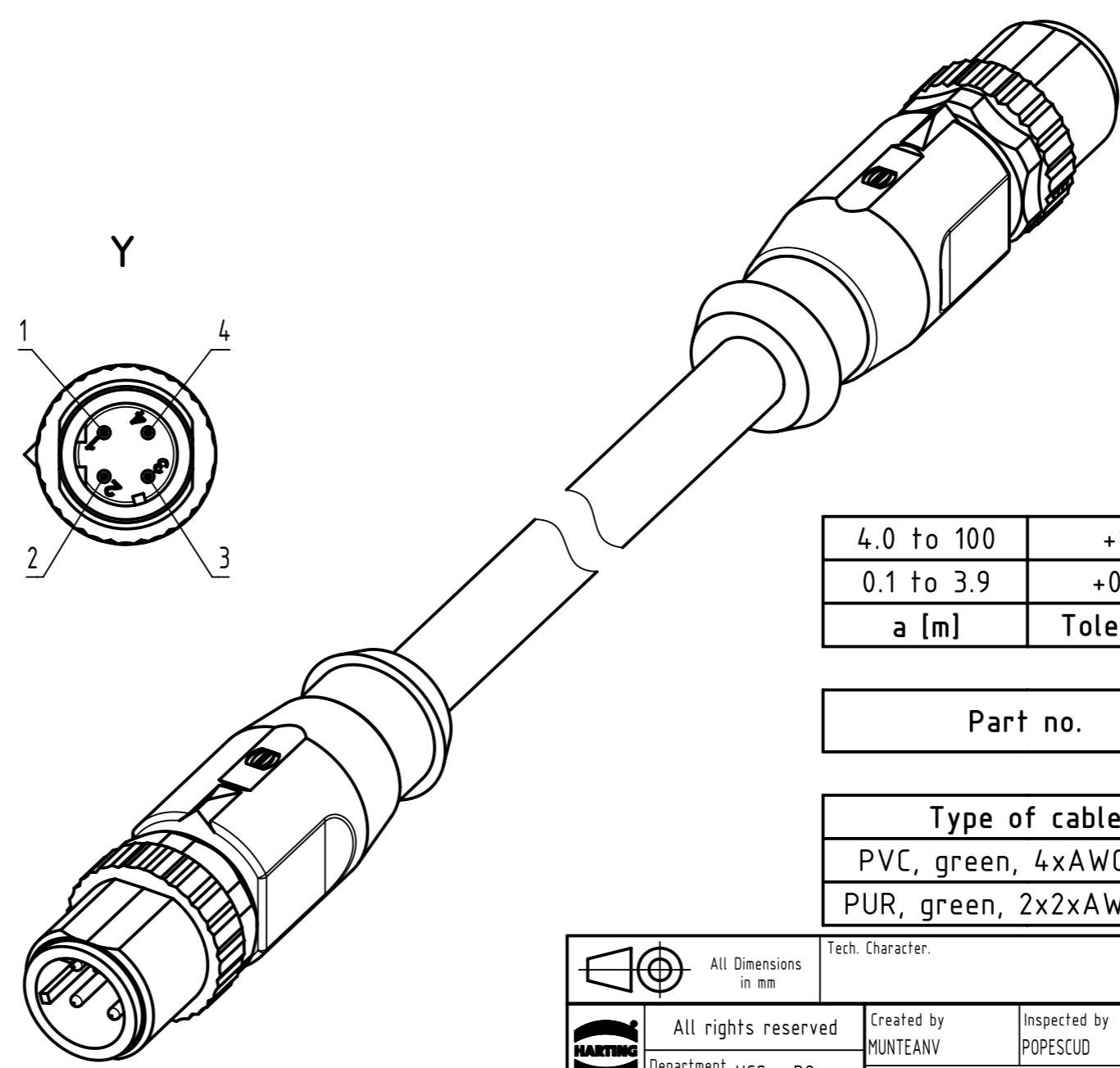
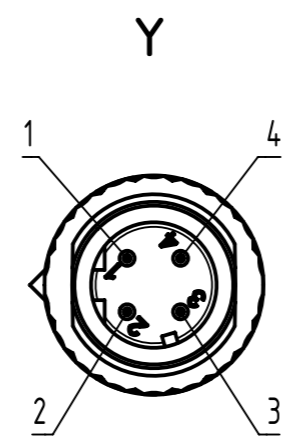
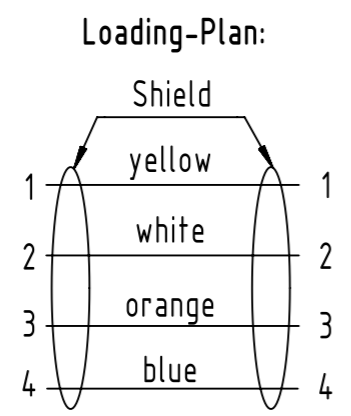
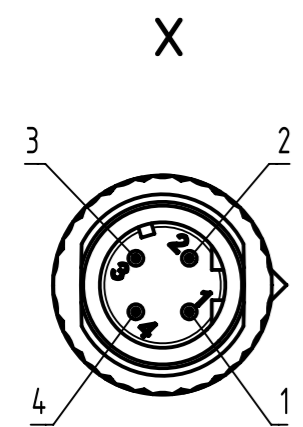
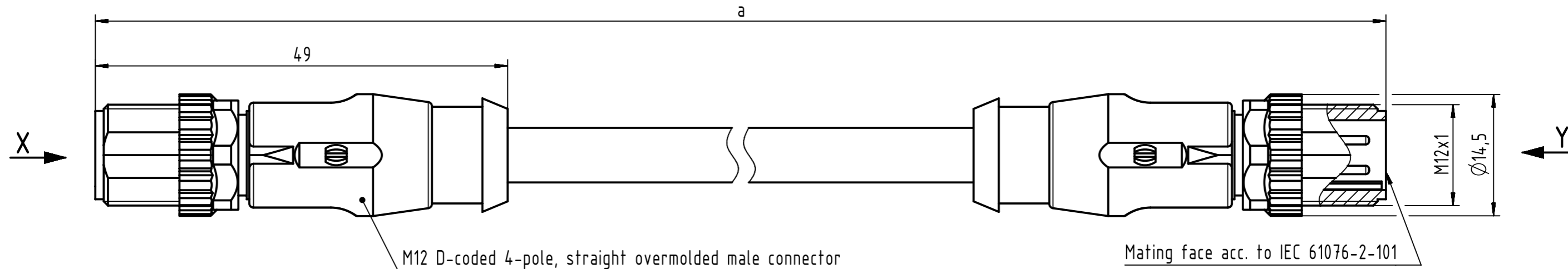


Connector Location A

Connector Location B



length in "1m" step	100	XXX=000
	99	XXX=990
	.	.
	12	XXX=120
	11	XXX=110
length in "0.1m" step	10	XXX=100
	9.9	XXX=099
	9.8	XXX=098
	.	.
	0.4	XXX=004
	0.3	XXX=003
	0.2	XXX=002
	0.1	XXX=001
Step	a [m]	XXX

4.0 to 100	+1%
0.1 to 3.9	+0.04
a [m]	Tolerance

Part no.	213492924XXXXX
----------	----------------

Type of cable	XX
PVC, green, 4xAWG22/7	XX=05
PUR, green, 2x2xAWG22/7	XX=77

- Protection level: IP 65/67
 - Temperature range: -30°C ... +70°C

		All rights reserved Department HCS - RO		Created by MUNTEANV		Inspected by POPESCUD		Standardisation AVRAM		Date 2017-04-06		State Final Release	
HARTING Customised Solutions D-32427 Minden				Title M12 D-coded Cable Assembly				Doc-Key / ECM-Nr. 100588528/UGD/000/D 500000117781					
Type TB		Number 213492924XXXXX		Rev. D		Page 1/1							