

# 3 LED Module (30 modules/string)

OVM12F3x7 series



|                       |                    |                     |
|-----------------------|--------------------|---------------------|
| 1 string              | Length: 160 inches | Contains 30 modules |
| Unit Price = 1 module |                    |                     |

UL File E339817



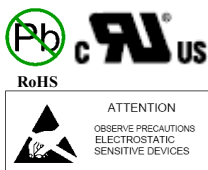
### Description:

The OVM12F3x7 is a versatile string of 30 LED modules for surface illumination creating decorative, special effects or channel letter applications. Response time is fast for instantaneous flashing lights and power consumption results in low power requirements from circuit power supply. Decorative applications include boats & motorcycles, boat houses & docks, residential under counter lighting & hidden ceiling lights, safety lights around steps and pools are just a few places to create an environment for fun and emotional moods.

### Applications:

- Mood-setting decoration and landscape lighting
- Special decorative interior/exterior lighting
- Special effects stage lighting
- Channel Letters & Signs
- Large Area Back-lighting
- High-lighting pedestrian and walkway areas

| Part Number | Color  | Beam Angle | Dominant Wavelength or CCT | Illumination (lux@0.5m) typ | IP Rating | Housing Material | Wire Gauge |
|-------------|--------|------------|----------------------------|-----------------------------|-----------|------------------|------------|
| OVM12F3R7   | Red    | 120°       | 623 +/- 3 nm               | 20                          | 67        | ABS              | AWG 20     |
| OVM12F3Y7   | Yellow |            | 590 +/- 3 nm               | 18                          |           |                  |            |
| OVM12F3G7   | Green  |            | 525 +/- 5 nm               | 14                          |           |                  |            |
| OVM12F3B7   | Blue   |            | 470 +/- 5 nm               | 6                           |           |                  |            |
| OVM12F3W7   | White  |            | 5000 to 7000 K             | 16                          |           |                  |            |



**DO NOT LOOK DIRECTLY AT LED WITH UNSHIELDED EYES OR DAMAGE TO RETINA MAY**

### General Note

TT Electronics reserves the right to make changes in product specification without notice or liability. All information is subject to TT Electronics' own data and is considered accurate at time of going to print.

TT Electronics | OPTEK Technology  
 1645 Wallace Drive, Carrollton, TX 75006 | Ph: +1 972 323 2200  
[www.ttelectronics.com](http://www.ttelectronics.com) | [sensors@ttelectronics.com](mailto:sensors@ttelectronics.com)

# 3 LED Module (30 modules/string)

OVM12F3x7 series



## Electrical Specifications

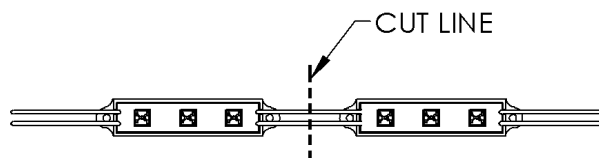
| Absolute Maximum Ratings ( $T_A = 25^\circ\text{C}$ unless otherwise noted) |              |
|---|--------------|
| Storage Temperature Range   | -40 ~ +80 °C |
| Operating Temperature Range   | -30 ~ +50 °C |
| Input Voltage   | 15 V         |
| Power Dissipation   | 1.5 W        |
| LED Junction Temperature  | 125 °C       |
| Electrostatic Discharge Classification (JEDEC-JESD22-A114F)                 | Class 1C     |

Notes:

1. Lead Solder time less than 10 seconds at temperature extreme.
2. No Heat sink is required if the string is operated at ambient temperature < 35°C. For long term performance the drive voltage at 12 V is recommend-

| Electrical Characteristics ( $T_A = 25^\circ\text{C}$ unless otherwise noted) |                             |      |            |      |       |                        |
|---|-----------------------------|------|------------|------|-------|------------------------|
| SYMBOL  | PARAMETER                   | MIN  | TYP        | MAX  | UNITS | TEST CONDITIONS        |
| Power Consumption   | Red/Yellow/Green/Blue/White |      | 0.5<br>0.3 | ---  | W     | $V_{DC} = 12\text{ V}$ |
| $V_{DC}$  | Input Voltage               | ---  | 12         | ---  | V     |                        |
| Net Weight  |                             | ---  | 16         | ---  | g     | Per module             |
| $\lambda_D$   | Dominant Wavelength         | ---  | See chart  |      |       |                        |
| $2\theta_{\frac{1}{2}}$   | 50% Power Angle             | ---- | 120        | ---- | deg   | $V_{DC} = 12\text{ V}$ |

If an entire string is not required for the application, clip wires at mid-span:



Modules can be secured onto a mounting surface with two #6 screws. Modules are waterproof and can be used outdoors. The installer is responsible for waterproofing the connection to the power source. The installer is also responsible for the use of an exterior approved power source.

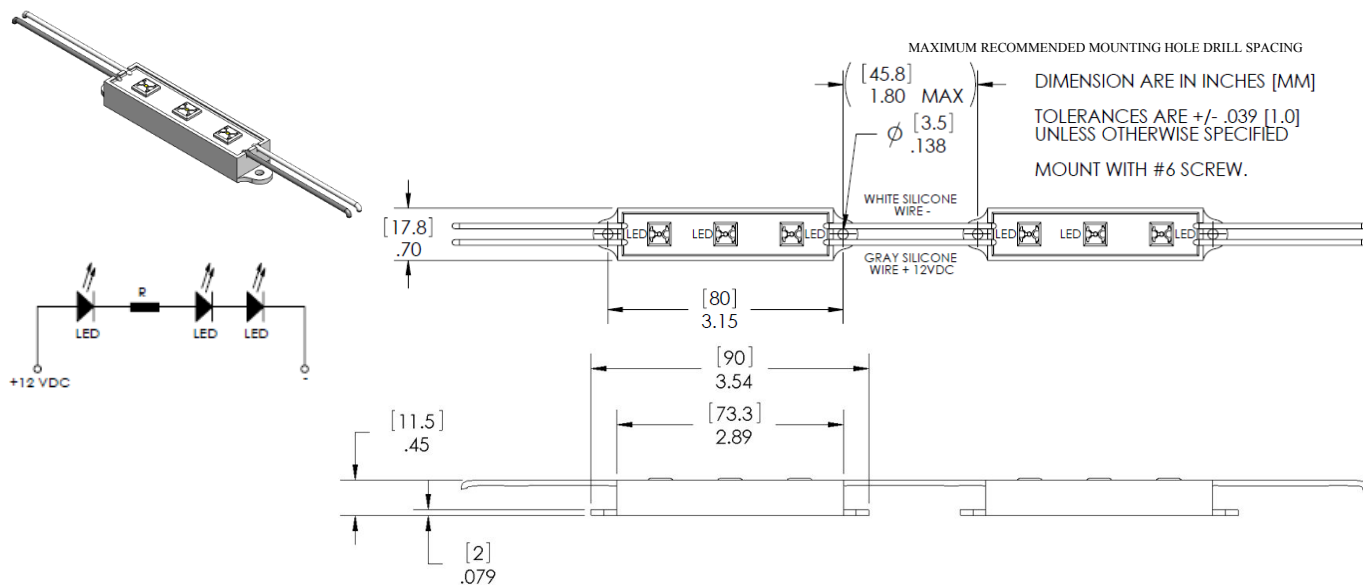
### General Note

TT Electronics reserves the right to make changes in product specification without notice or liability. All information is subject to TT Electronics' own data and is considered accurate at time of going to print.

TT Electronics | OPTEK Technology  
1645 Wallace Drive, Carrollton, TX 75006 | Ph: +1 972 323 2200  
www.ttelectronics.com | sensors@ttelectronics.com

# 3 LED Module (30 modules/string)

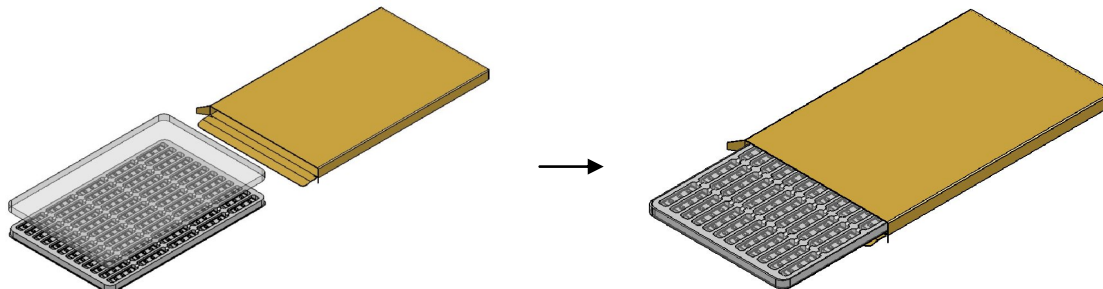
OVM12F3x7 series



## Package Information:

1 tray contains 2 strings of 30 modules each.

Modules are packaged 60 per tray.



### General Note

TT Electronics reserves the right to make changes in product specification without notice or liability. All information is subject to TT Electronics' own data and is considered accurate at time of going to print.

TT Electronics | OPTEK Technology  
1645 Wallace Drive, Carrollton, TX 75006 | Ph: +1 972 323 2200  
www.ttelectronics.com | sensors@ttelectronics.com