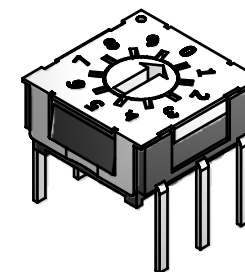
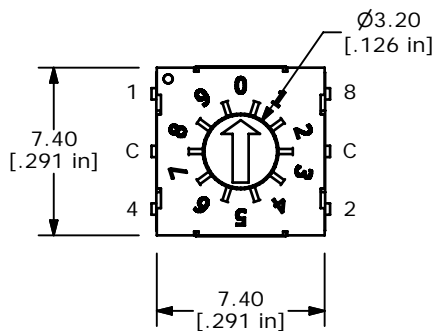


PCB LAYOUT

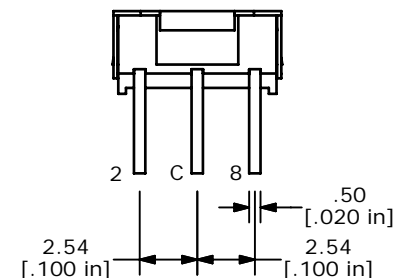
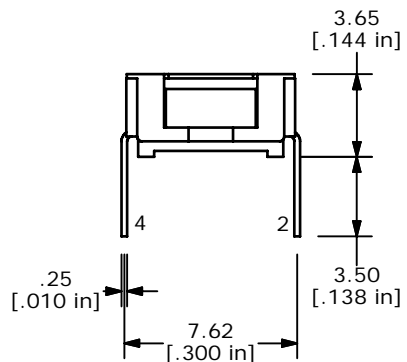


REAL CODE

| | C | 1 | 2 | 4 | 8 |
|---|---|---|---|---|---|
| 0 | ● | | | | |
| 1 | ● | ● | | | |
| 2 | ● | | ● | | |
| 3 | ● | ● | ● | | |
| 4 | ● | | | ● | |
| 5 | ● | ● | | ● | |
| 6 | ● | | ● | ● | |
| 7 | ● | ● | ● | ● | |
| 8 | ● | | | | ● |
| 9 | ● | ● | | | ● |

NOTES:

1. ALL DIMENSIONS IN MM [INCH]
2. GENERAL TOLERANCE: X.X=±0.4
X.XX=±0.25
3. TERMINAL NUMBERS FOR REFERENCE ONLY
4. OPERATING FORCE: 120gf/cm ± 30gf
- ▲ 5. CONTACT RATING: 100mA, 42V DC (SWITCHING)
400mA 42V DC (NON-SWITCHING)
6. CONTACT RESISTANCE: 80mΩ MAX.
7. INSULATION RESISTANCE: 100MΩ MIN @ 250VDC
8. DIELECTRIC STRENGTH: 250VAC 1 MIN.
9. LIFE: 25,000 STEPS
10. OPERATING TEMPERATURE: -60°C TO 125°C
11. PACKAGING: 70 PCS TUBE
12. IP RATING: IP67
13. ▲ DENOTES CRITICAL PARAMETER
14. 2002/95/EC (ROHS) COMPLIANT



| | | | | |
|------------------|----------------|-------|-------------|-------|
| TITLE RDMAR10P1T | | | | |
| SCALE 3:1 | DATE 7/24/2012 | DR rc | DWG U100011 | REV A |

| | | | | |
|---|--------|-----------------------|---------|----|
| A | 20678 | RELEASE TO PRODUCTION | 7/24/12 | rc |
| REV | PCR NO | DESCRIPTION | DATE | BY |
| <small>THE INFORMATION CONTAINED IN THIS DOCUMENT IS PROPRIETARY TO E-SWITCH AND IS NOT TO BE COPIED OR TRANSFERRED</small> | | | | |