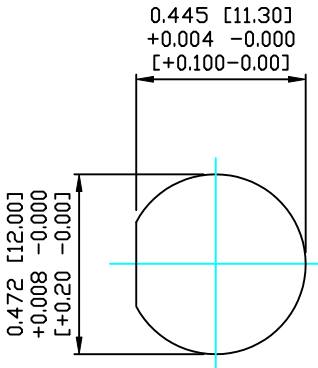


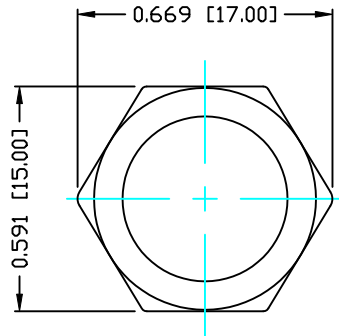
DESCRIPTION: M12 MALE - PANEL MOUNT (REAR) - SOLDER CUP - 4 POS.

NOTE:

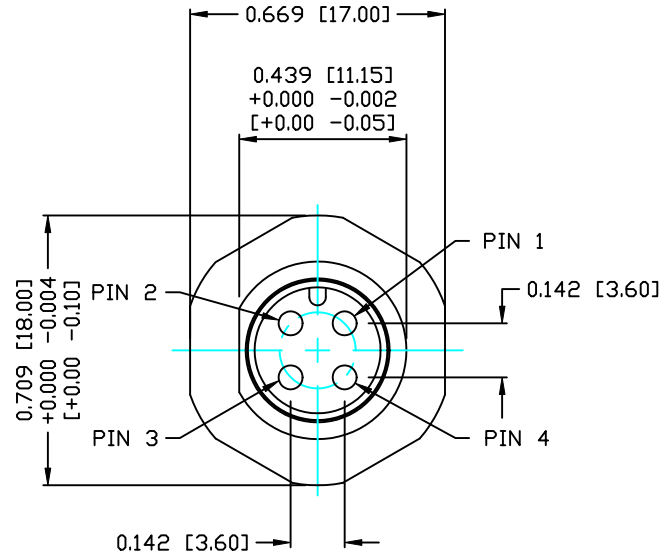
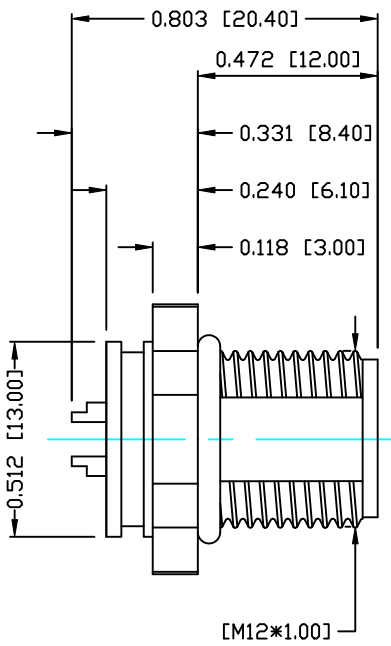
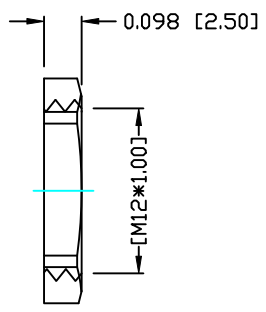
MATERIAL	
HOUSING:	PBT UL94V-0, BLACK
CONTACT:	BRASS
SHELL:	BRASS
NUT:	BRASS
O-RING:	EPDM, BLACK
FINISH	
CONTACT:	GOLD PLATED OVER 50µ" NICKEL
SHELL:	NICKEL PLATED OVER ALL
NUT:	NICKEL PLATED OVER ALL
ELECTRICAL:	
RATED CURRENT:	5A
RATED VOLTAGE:	125V
INSULATION RESISTANCE:	100 MΩhms MIN.
CONTACT RESISTANCE:	10 MΩhms MAX.
WATER PROOF:	IP67
ENVIRONMENT:	
OPERATION TEMPERATURE:	-40°C TO +85°C
WIRE GAUGE:	24-28 AWG



PANEL CUTOUT

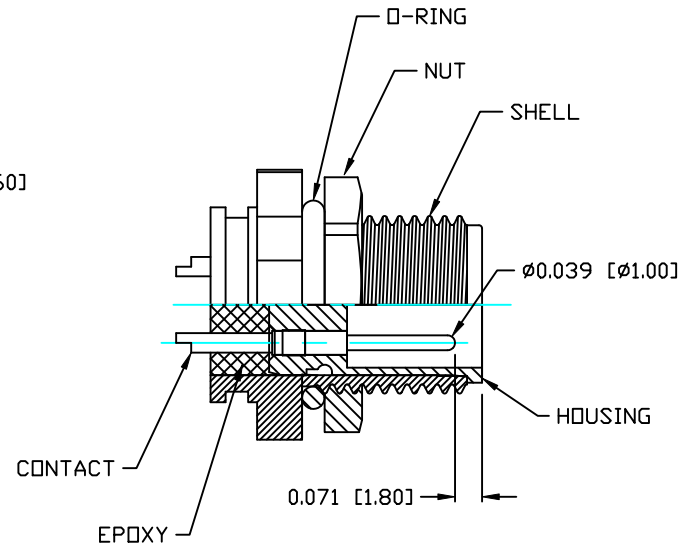


NUT



859-004-103R00Y

1 = GOLD FLASH
4 = 10µ" GOLD



RoHS COMPLIANT

DO NOT SCALE FROM DRAWING



THESE DRAWINGS AND SPECIFICATIONS ARE THE PROPERTY OF NorComp AND SHALL NOT BE REPRODUCED, COPIED OR USED AS THE BASIS FOR THE MANUFACTURE OR SALE OF APPARATUS WITHOUT WRITTEN PERMISSION.

DRAWN: M. SIGMON	DATE: 03-07-16
CHECKED:	DATE:

NorComp

SCALE: N.T.S.	SHEET 1	OF 1	REV 2
DWG NO. 859-004-103R00Y			