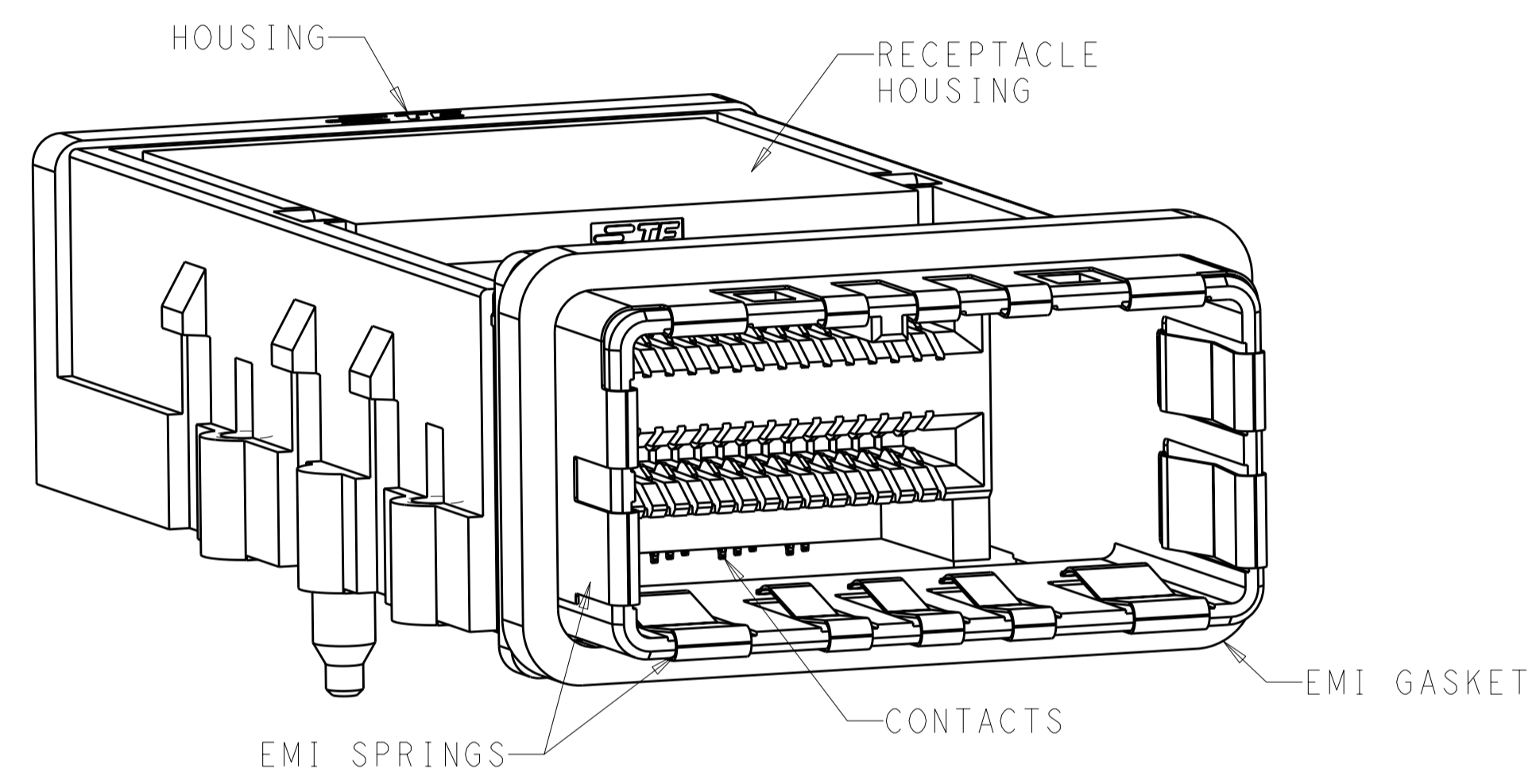


THIS DRAWING IS UNPUBLISHED. RELEASED FOR PUBLICATION 20
 © COPYRIGHT 20 BY - ALL RIGHTS RESERVED.

LOC	DIST	REVISIONS					
GP	00	P	LTR	DESCRIPTION	DATE	DWN	APVD
		2		REMOVED -3 AND -4	15NOV2010	MEC	MDM
		3		REVISED	02MAY2011	MEC	MDM
		4		OBSOLETE 2149448-2	21SEP2011	MEC	MDM

1. MATERIALS:
 HOUSING - NICKEL PLATED ZINC ALLOY PER ASTM B 240
 COVER, HOUSING - STAINLESS STEEL.
 EMI GASKET - SILVER PLATED URETHANE
 RECEPTACLE HOUSING - LCP, BLACK, UL 94V-0 RATED
 CHICKLET - LCP, BLACK, UL 94V-0 RATED
 CONTACT - PHOSPHOR BRONZE PER ASTM B 103
 EMI SPRING - COPPER ALLOY
- △2 CONTACT FINISH:
 CONFORMS TO THE REQUIREMENTS OF TYCO ELECTRONICS
 PRODUCT SPECIFICATION 108-2426, BASED ON EIA/ECA-364-1000.01A,
 (CONTROLLED ENVIRONMENT APPLICATIONS) ON MATING INTERFACE,
 TIN ON NEEDLE EYE
- △3 NOTE DELETED
4. PCB THICKNESS = 1.57 MIN
- △5 FOR HOLE SIZE AND PLATINGS, SEE APPLICATION SPEC 114-13283
- △6 THE ENTIRE AREA OF THE CONNECTOR FOOTPRINT, INDICATED
 BY CROSSHATCHING, TO BE CONSIDERED THE KEEPOUT AREA FOR
 COMPONENTS AND SIGNAL TRACES, TOP SIDE ONLY, TOP SIDE
 TRACES ALLOWED WITHIN CONNECTOR HOLE PATTERN, CROSSHATCHING
 TO BE CONDUCTIVE
7. MOUNTING HARDWARE REQUIRED:
 M2X0.4 (4) - MOUNTING SCREW LENGTH = BOARD THICKNESS + 4mm MAX



2149448-1
 SCALE 5:1

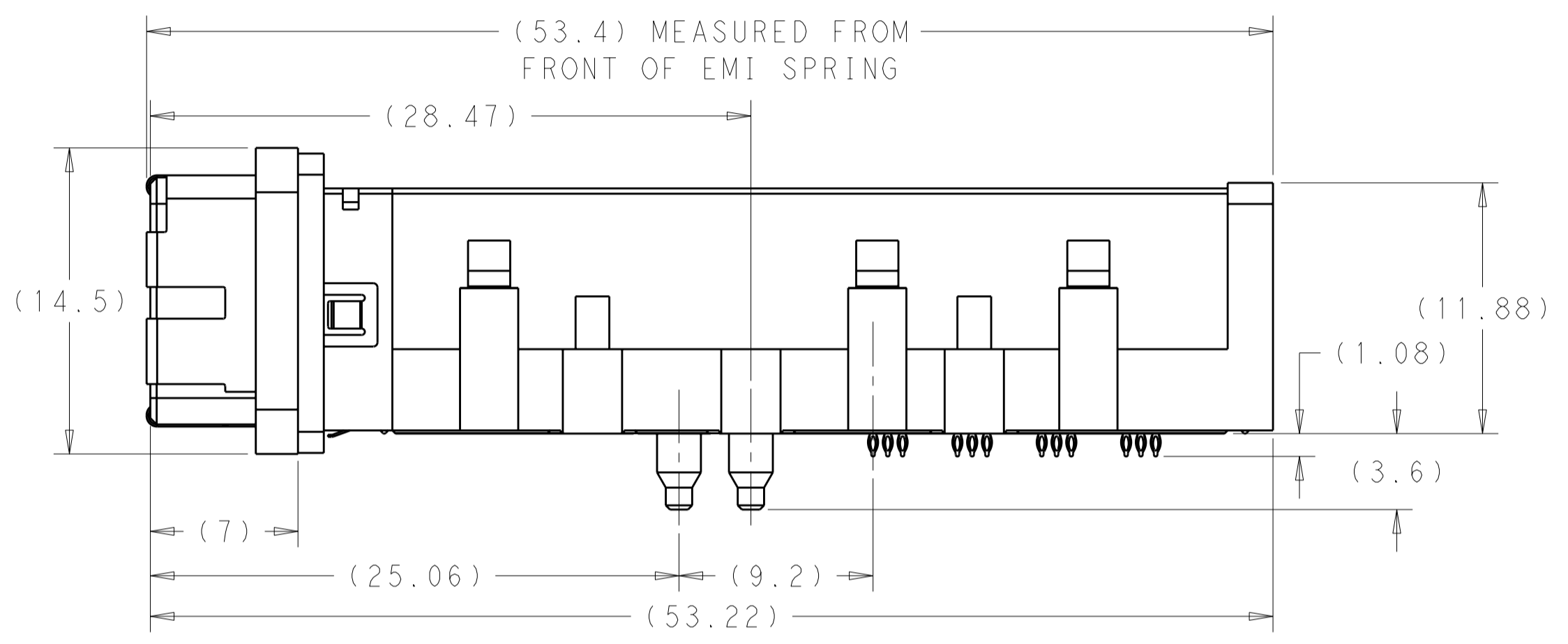
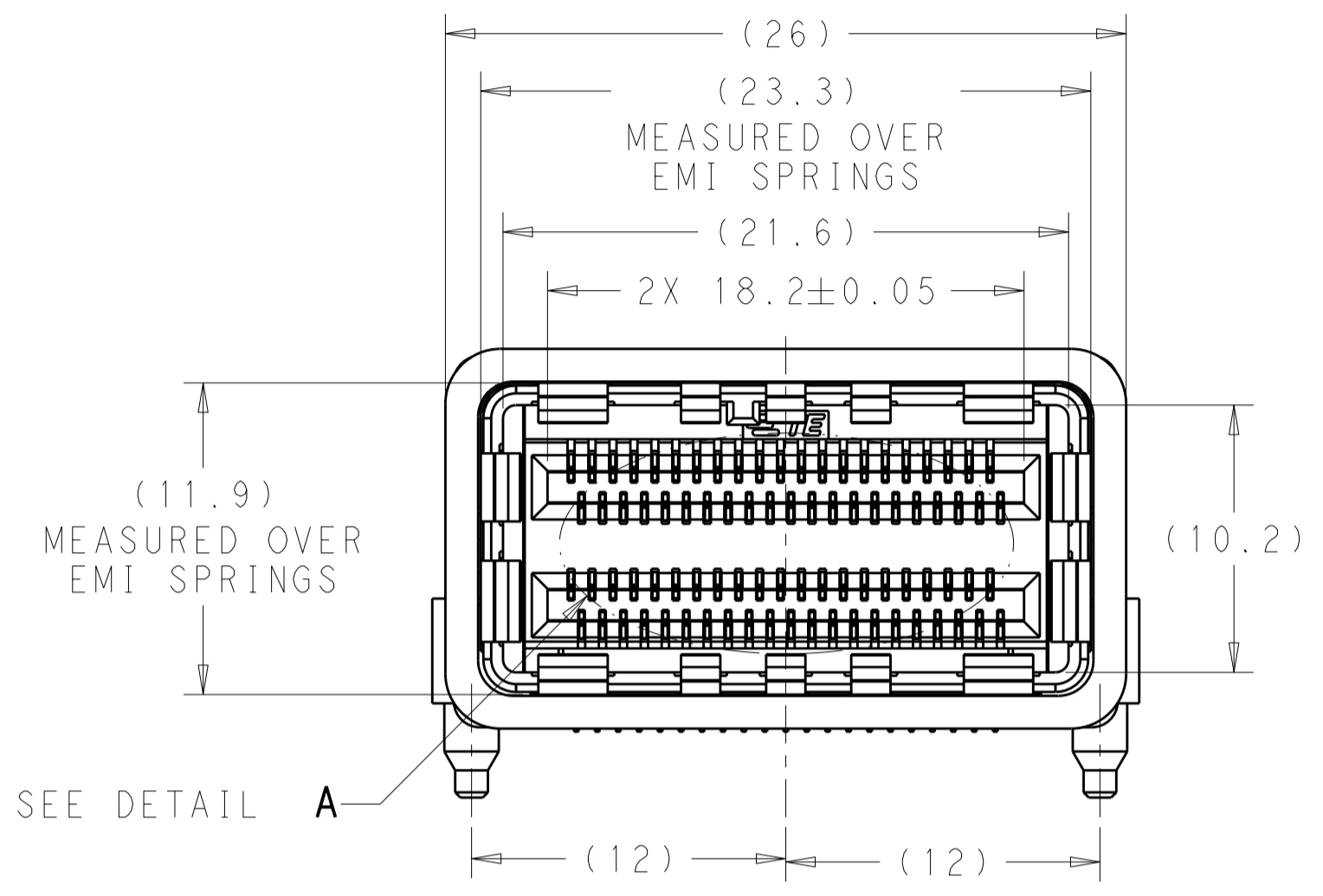
OBSOLETE	△3	84 POSITION RECEPTACLE HOUSING SUB-ASSEMBLY	2149448-2
	△2	84 POSITION RECEPTACLE HOUSING SUB-ASSEMBLY	2149448-1
FINISH		DESCRIPTION	PART NUMBER

PRELIMINARY PART- NOT RELEASED FOR PRODUCTION

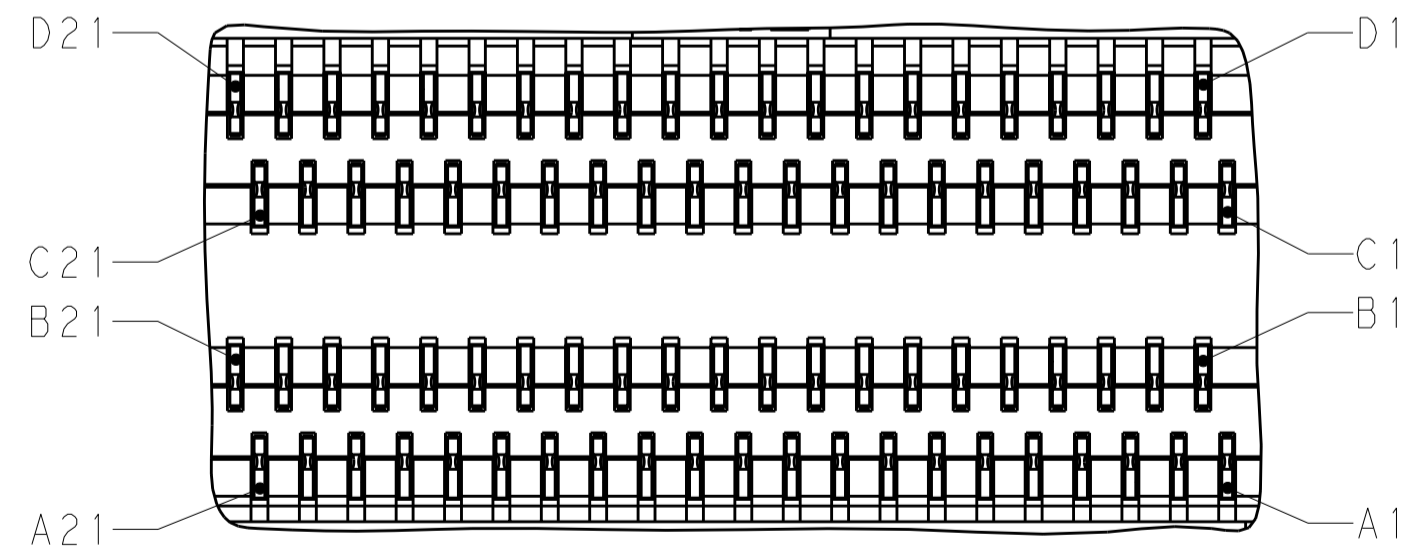
THIS DRAWING IS A CONTROLLED DOCUMENT.		DWN	03AUG2010	STE TE Connectivity
DIMENSIONS: mm		CHK	03AUG2010	
TOLERANCES UNLESS OTHERWISE SPECIFIED:		APVD	03AUG2010	
0 PLC ±0.25		NAME	M. D. MORRISON	
1 PLC ±0.25		PRODUCT SPEC		RECEPTACLE HOUSING SUB-ASSEMBLY
2 PLC ±0.25		APPLICATION SPEC		84 POSITION, CXP
3 PLC ±0.25		WEIGHT		SIZE
4 PLC ±0.25		CUSTOMER DRAWING		CAGE CODE
ANGLES ±0.5		SCALE	2:1	DRAWING NO
FINISH		SHEET	1	RESTRICTED TO
SEE NOTES		OF	3	
SEE TABLE		REV	4	

THIS DRAWING IS UNPUBLISHED. RELEASED FOR PUBLICATION 20
 © COPYRIGHT 20 BY - ALL RIGHTS RESERVED.

LOC	DIST	REVISIONS			
P	LTR	DESCRIPTION	DATE	DWN	APVD
GP	00	-	SEE SHEET 1	-	-



2149448-1
 SCALE 4:1



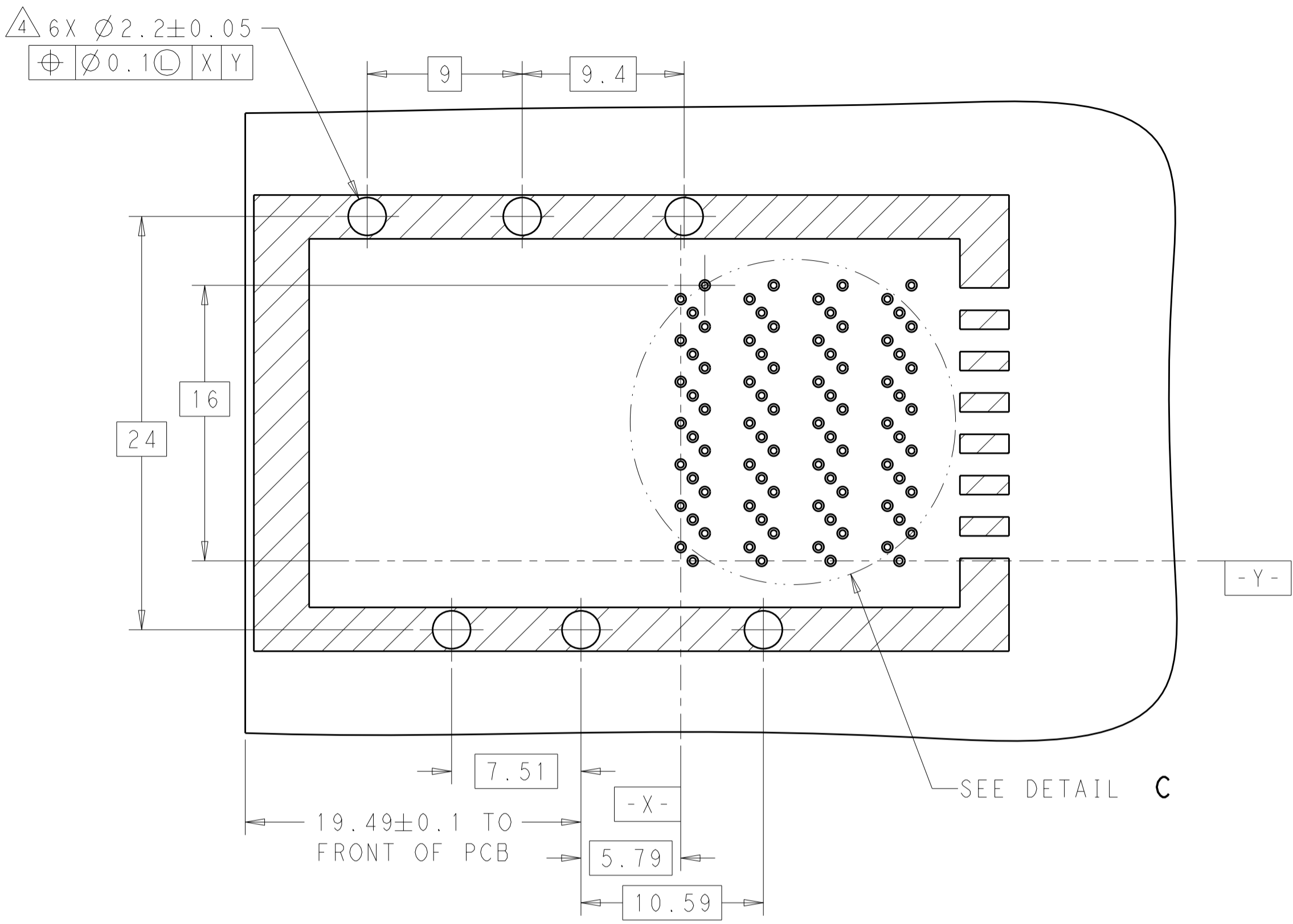
DETAIL A
 RECOMMENDED PIN CALLOUT
 SCALE 8:1

PRELIMINARY PART- NOT RELEASED FOR PRODUCTION

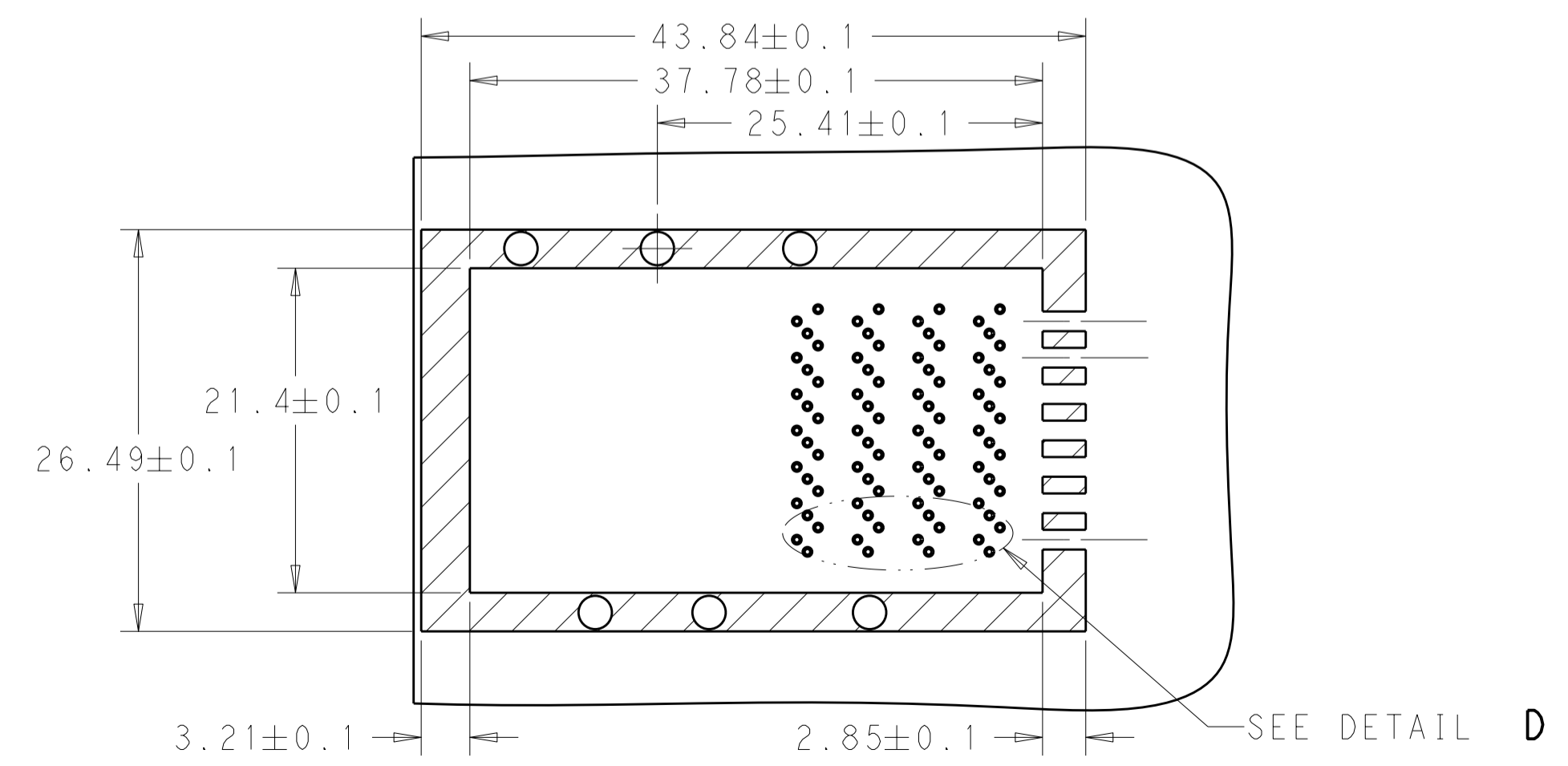
THIS DRAWING IS A CONTROLLED DOCUMENT.		DWN M.E. COWHER 03AUG2010	TE Connectivity	
DIMENSIONS: mm		CHK M.D. MORRISON 03AUG2010		
TOLERANCES UNLESS OTHERWISE SPECIFIED:		APVD M.D. MORRISON 03AUG2010	NAME RECEPTACLE HOUSING SUB-ASSEMBLY 84 POSITION, CXP	
		PRODUCT SPEC	SIZE	
0 PLC ±0.25 1 PLC ±0.25 2 PLC ±0.25 3 PLC ±0.25 4 PLC ±0.25 ANGLES ±0.5 FINISH		APPLICATION SPEC	CAGE CODE	
MATERIAL		WEIGHT	DRAWING NO	
SEE NOTES		CUSTOMER DRAWING	A200779	
SEE TABLE		SCALE 2:1	SHEET 2 OF 3	
		REV 4		

THIS DRAWING IS UNPUBLISHED. RELEASED FOR PUBLICATION 20
 © COPYRIGHT 20 BY - ALL RIGHTS RESERVED.

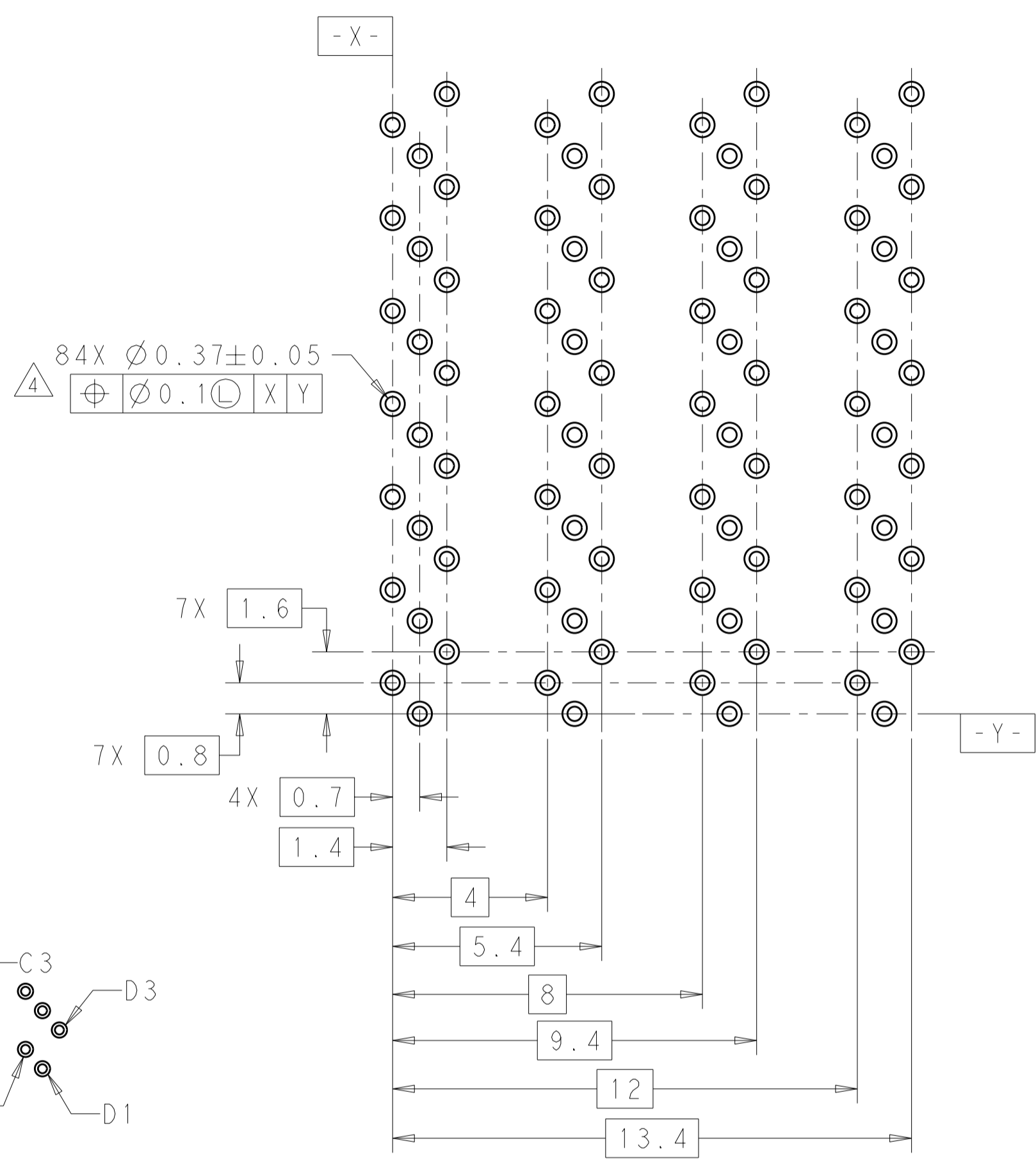
LOC		DIST		REVISIONS				
P	LTR	DESCRIPTION	DATE	DWN	APVD			
GP	00							
		SEE SHEET 1						



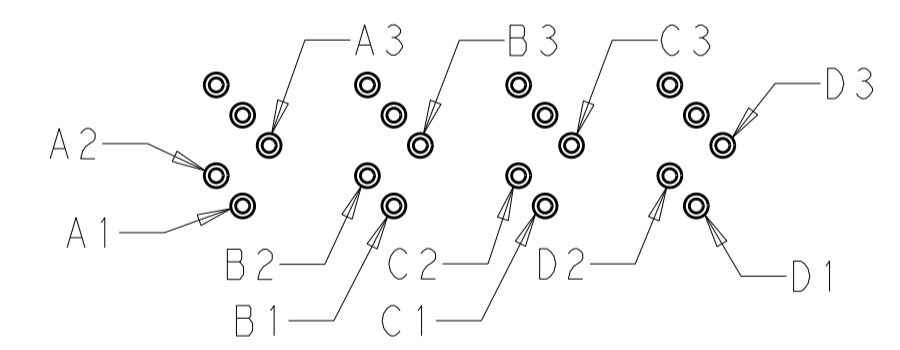
RECOMMENDED PCB LAYOUT
 COMPONENT SIDE SHOWN
 SCALE 4:1



RECOMMENDED KEEPOUT AREA
 SCALE 5:2



RECOMMENDED CONNECTOR LAYOUT
 SCALE 8:1



DETAIL D
 PIN CALLOUT (TYPICAL)
 SCALE 5:1

PRELIMINARY PART- NOT RELEASED FOR PRODUCTION

THIS DRAWING IS A CONTROLLED DOCUMENT.		DWN M. E. COWHER 03AUG2010	TE Connectivity	
DIMENSIONS: mm		CHK M. D. MORRISON 03AUG2010		
TOLERANCES UNLESS OTHERWISE SPECIFIED:		APVD M. D. MORRISON 03AUG2010	NAME RECEPTACLE HOUSING SUB-ASSEMBLY 84 POSITION, CXP	
0 PLC ±0.25		PRODUCT SPEC	SIZE A200779C-2149448	
1 PLC ±0.25		APPLICATION SPEC	CAGE CODE C-2149448	
2 PLC ±0.25		WEIGHT	DRAWING NO 2149448	
3 PLC ±0.25		RESTRICTED TO	SCALE 2:1	
4 PLC ±0.25			SHEET 3 OF 3	
ANGLES ±0.5			REV 4	
FINISH				
SEE NOTES		CUSTOMER DRAWING		