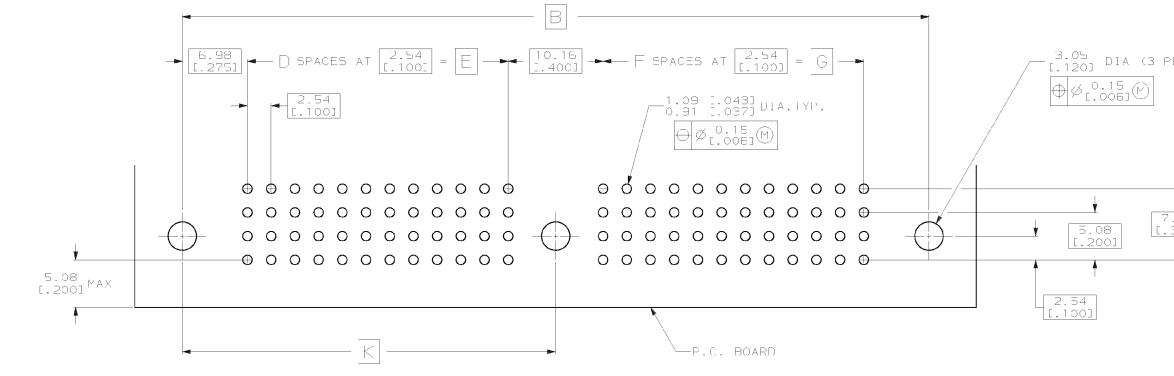
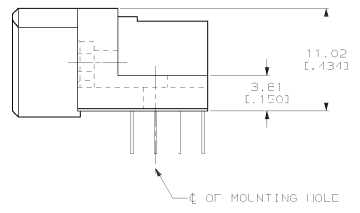
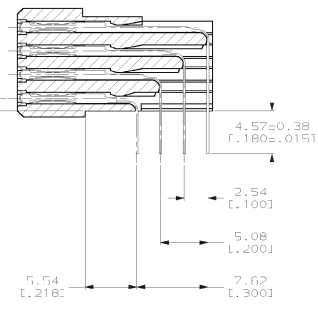
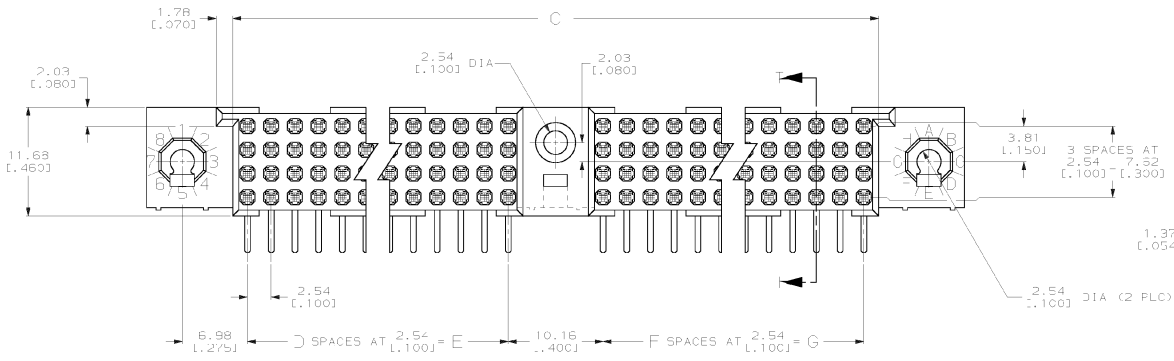
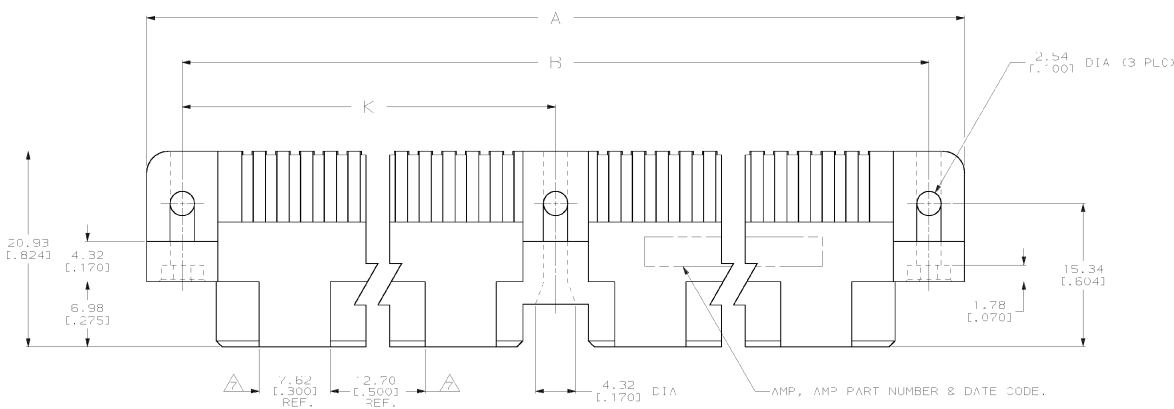


REV	DATE	BY	CHK	APP	DESCRIPTION	DATE	APP
C	06/19/90				CCN AD4218	06/19/90	RES
F	ECN: 0010-1068-93	CJ				06/26/90	SES
G	ECN: 0010-0644-93					11/26/94	GES
I	PER EC 0328-55					06/26/96	JR
J	REVISED PER CS12 0091 03					21/04/03	WM



DIM NOT SCALE PRINT, UNLESS SPECIFIED DIMENSIONS IN MM (INCHES)		DR 06/19/90 P.A. SEI/FIED CHC 06/19/90 G. SKIPPER		PART NO	
TOLERANCES ON 1/2 PLC DEC ± 0.3 LOCES ANGLES		APRD 06/19/90 G. SKIPPER		AMP AMP Incorporated Harrisburg, PA 17105-3506	
MATERIAL		APRD 06/19/90 G. SKIPPER		NAME: 4 ROW, RECEPTACLE ASSEMBLY, 1 6JDC P/N, 3 MOUNTING HOLES, 4.57 [0.180] LONG SOLDER TAILS, .00076 [0.00030] GOLD PLATE	
FINISH		APRD 06/19/90 G. SKIPPER		SIZE: 00779 DRAWING NO: 532920	
HEIGHT		SCALE: 4:1		SHEET: 1 OF 2	



CUSTOMER DRAWING

THIS DRAWING IS UNPUBLISHED. RELEASED FOR PUBLICATION .19

© COPYRIGHT 19 BY AMP INCORPORATED. ALL INTERNATIONAL RIGHTS RESERVED.

REV	DATE	BY	APP	DESCRIPTION	DATE	APP
AD	25			SEE SHEET 1		

- △ HOUSING MATERIAL: THERMOPLASTIC, COLOR-NATURAL.
- △ CONTACT MATERIAL: COPPER ALLOY.
- △ CONTACT FINISH: .00127-.00254 [.000050-.000100] NICKEL UNDERPLATE ALL OVER; .00076 [.000030] GOLD PLATE IN CONTACT AREA, TIN-LEAD PLATED SOLDER TAILS.
- △ SOLDER TAILS MUST FIT HOLE PATTERN AS SHOWN ON THE RECOMMENDED P.C. BOARD LAYOUT.
- 5. DIMENSIONS IN BRACKETS ARE IN INCHES.
- △ PART NUMBER 15 OBSOLETE.
- △ QUANTITIES OF VOID CORING ARE DEPENDENT ON THE POSITION SIZE OF THE HOUSING.

									532920-9
164.46 [6.475]	152.40 [6.000]	60	52.40 [6.000]	60	318.1 [12.524]	328.93 [12.950]	336.55 [13.250]	489	532920-8
156.84 [6.175]	144.78 [5.700]	57	44.78 [5.700]	57	302.87 [11.924]	313.89 [12.350]	321.31 [12.650]	464	532920-7
148.22 [5.875]	137.16 [5.400]	54	37.16 [5.400]	54	287.63 [11.324]	298.45 [11.750]	306.07 [12.050]	440	532920-6
141.60 [5.575]	129.54 [5.100]	51	29.54 [5.100]	51	272.39 [10.724]	283.21 [11.150]	290.83 [11.450]	415	532920-5
133.98 [5.275]	121.92 [4.800]	48	21.92 [4.800]	48	257.15 [10.124]	267.97 [10.550]	275.59 [10.850]	392	532920-4
126.36 [4.975]	114.30 [4.500]	45	14.30 [4.500]	45	241.91 [9.524]	252.73 [9.950]	260.35 [10.250]	368	532920-3
118.74 [4.675]	106.68 [4.200]	42	6.68 [4.200]	42	226.67 [8.924]	237.49 [9.350]	245.11 [9.650]	344	532920-2
111.12 [4.375]	99.06 [3.900]	39	99.06 [3.900]	39	211.43 [8.324]	222.25 [8.750]	229.87 [9.050]	320	532920-1
K	G	F	E	D	C	B	A	POSN	PART NUMBER

DO NOT SCALE PRINT, UNLESS SPECIFIED DIMENSIONS IN MM (INCHES) TOLERANCES ON ± 3 FLD DEC ± 0.13 (.005) ANGLES MATERIAL FINISH △

DR 06/19/90 P.A. SKIPPED CHC 06/19/90 G. SKIPPER APD 06/19/90 G. SKIPPER APD 06/19/90 E. SKIPPER PRODUCT SPEC NAME HD: 4 ROW RECEPTACLE ASSEMBLY, 1 GUIDE PIN, 3 MOUNTING HOLES, 4.57 [.180] LONG SOLDER TAILS, .00076 [.000030] GOLD PLATE SIZE 00779 DRAWING NO 532920 SCALE 4:1 SHEET 2 OF 2



CUSTOMER DRAWING