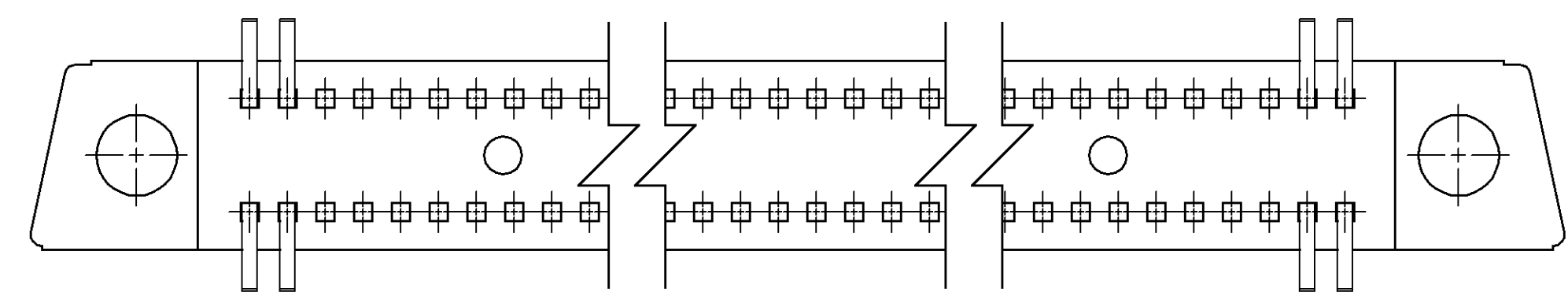
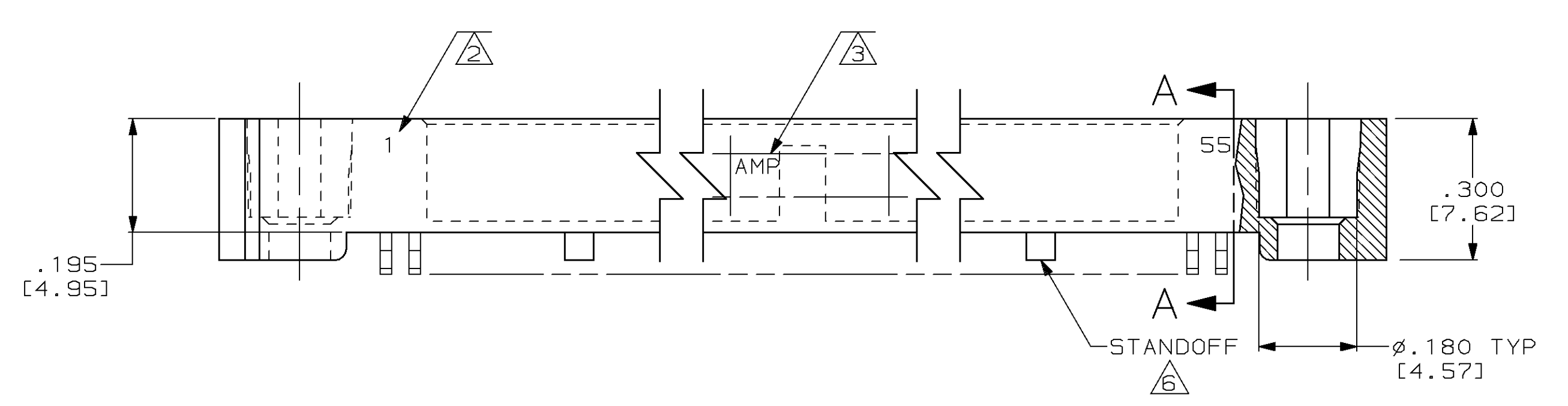
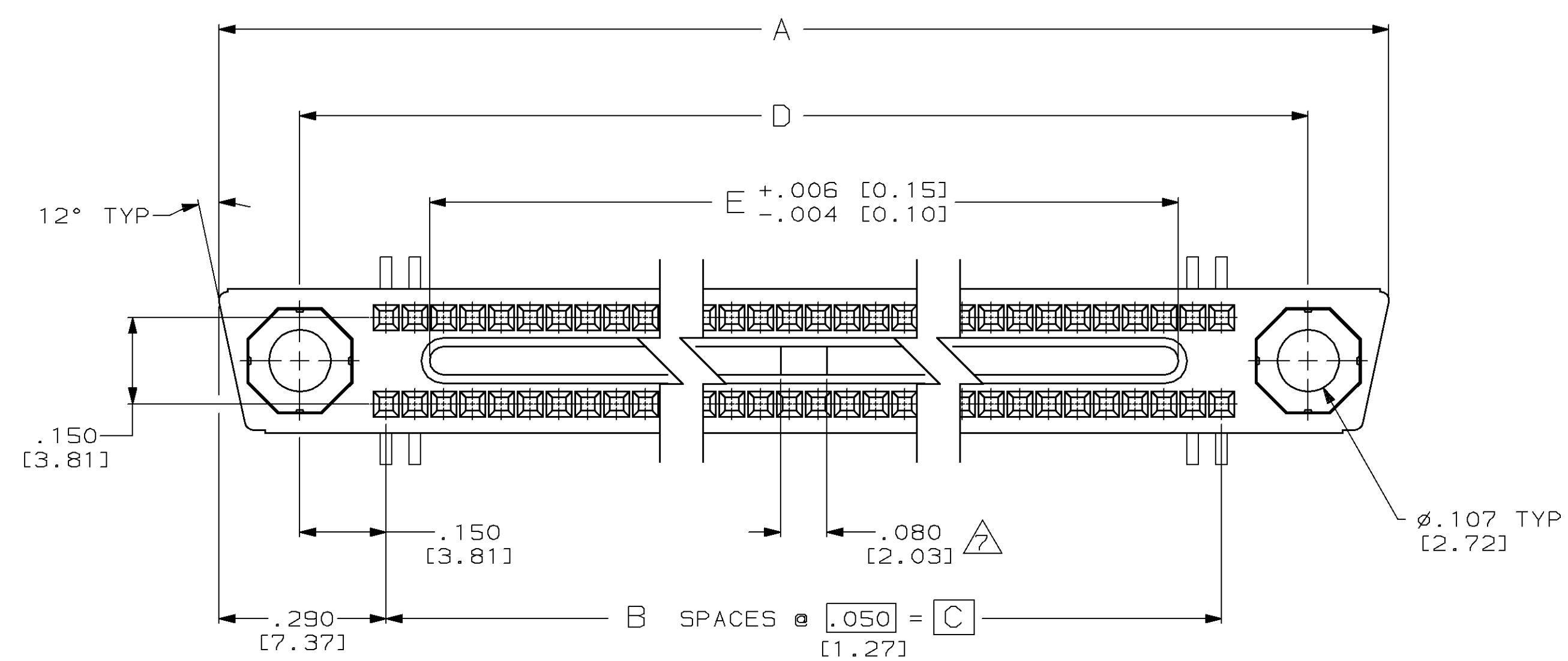
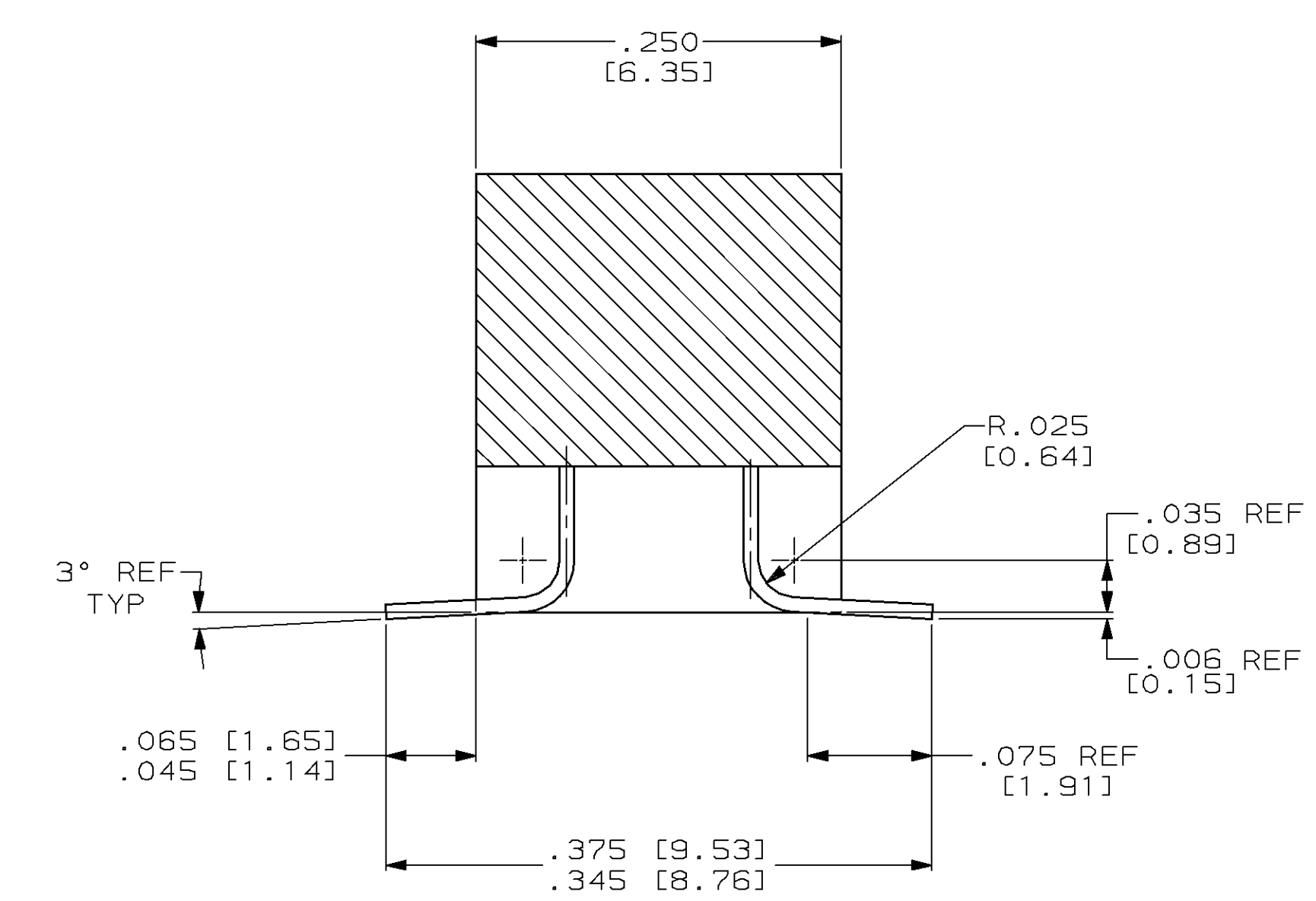


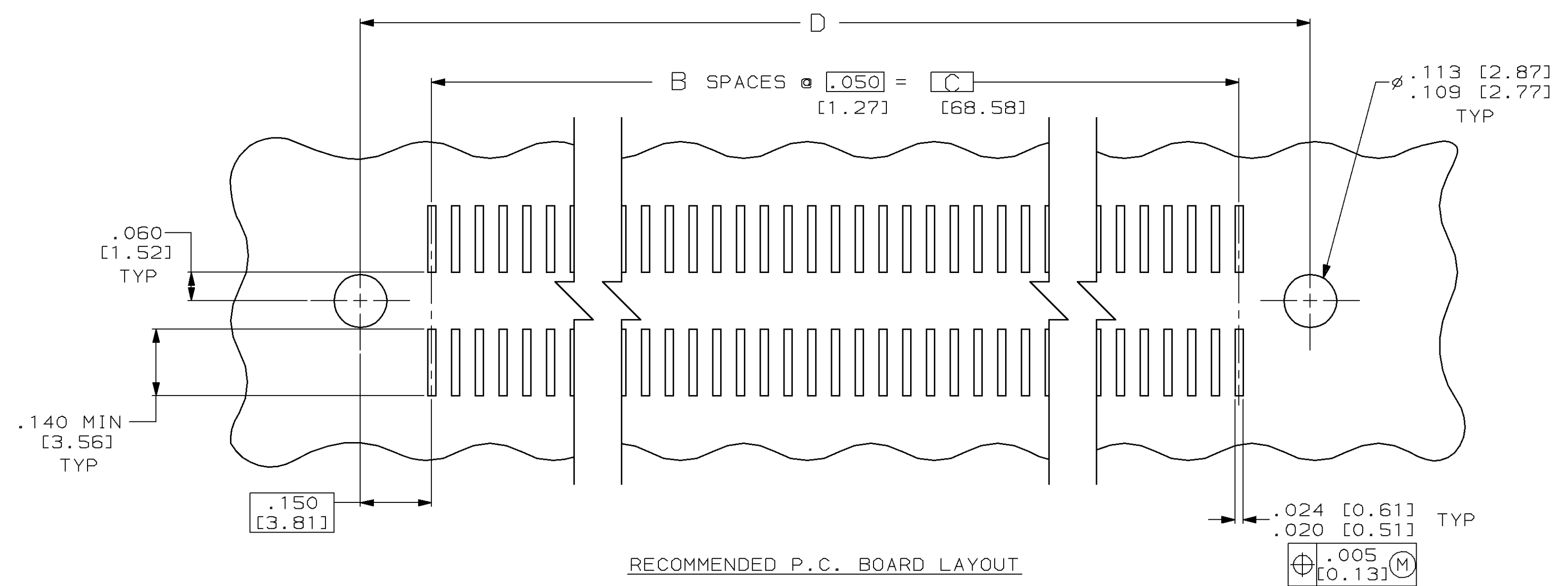
| LOC | | DIST | | P | | F | | ZONE | | LTR | | REVISIONS | | | |
|-----|----|------|--|---|--|---|--|------|--|-----|--|-------------|-----------------------------|---------|----|
| DF | F0 | | | | | | | | | | | DESCRIPTION | DATE | APPD | |
| | | | | | | | | | | | | O | REL PER NPR 93-0238 TA | 8-31-93 | DG |
| | | | | | | | | | | | | A | REV PER 0600-3448-95 TA | 1-17-96 | DG |
| | | | | | | | | | | | | B | REV PER 0600-4895-95 CT | 1-96 | DG |
| | | | | | | | | | | | | C | ADD -11 PER 0600-5026-95 CT | 2-96 | DG |



1. MEETS ALL APPLICABLE REQUIREMENTS OF MIL-C-55302.
2. NUMBERS INDICATING END POSITIONS MARKED THIS SIDE ONLY.
3. AMP, PART NO. AND DATE CODE, MARKED, IN THIS APPROXIMATE AREA.
4. HOUSING MAT'L: LIQUID CRYSTAL POLYMER, COLOR: GRAY
5. EPOXY IS ADDED TO BOTTOM OF HOUSING FOR INCREASED CONTACT RETENTION.
6. 70 THRU 100 POSN CONNECTORS HAVE ONE STANDOFF, 110 POSN AND LARGER SIZES HAVE TWO STANDOFFS.
7. FEATURE NOT PRESENT ON 20 THRU 50 POSITION.



SECTION A-A
SCALE 10:1



| REMARKS | CAVITY ID | E | D | C | B | A | POSN | PART NUMBER | |
|--------------|-----------|--------|---------------|---------------|---------------|----|---------------|-------------|------------|
| | | 1 - 64 | 3.000 [76.20] | 3.450 [87.63] | 3.150 [80.01] | 63 | 3.740 [95.00] | 128 | 1-449599-1 |
| NOT RELEASED | | 1 - 55 | 2.550 [64.77] | 3.000 [76.20] | 2.700 [68.58] | 54 | 3.290 [83.57] | 110 | 1-449599-0 |
| NOT RELEASED | | 1 - 50 | 2.300 [58.42] | 2.750 [69.85] | 2.450 [62.23] | 49 | 3.040 [77.22] | 100 | 449599-9 |
| NOT RELEASED | | 1 - 45 | 2.050 [52.07] | 2.500 [63.50] | 2.200 [55.88] | 44 | 2.790 [70.87] | 90 | 449599-8 |
| NOT RELEASED | | 1 - 40 | 1.800 [45.72] | 2.250 [57.15] | 1.950 [49.53] | 39 | 2.540 [64.52] | 80 | 449599-7 |
| - | | 1 - 35 | 1.550 [39.37] | 2.000 [50.80] | 1.700 [43.18] | 34 | 2.290 [58.17] | 70 | 449599-6 |
| NOT RELEASED | | 1 - 30 | 1.300 [33.02] | 1.750 [44.45] | 1.450 [36.83] | 29 | 2.040 [51.82] | 60 | 449599-5 |
| NOT RELEASED | | 1 - 25 | 1.050 [26.67] | 1.500 [38.10] | 1.200 [30.48] | 24 | 1.790 [45.47] | 50 | 449599-4 |
| NOT RELEASED | | 1 - 20 | .800 [20.32] | 1.250 [31.75] | .950 [24.13] | 19 | 1.540 [39.12] | 40 | 449599-3 |
| - | | 1 - 15 | .550 [13.97] | 1.000 [25.40] | .700 [17.78] | 14 | 1.290 [32.77] | 30 | 449599-2 |
| NOT RELEASED | | 1 - 10 | .300 [7.62] | .750 [19.05] | .450 [11.43] | 9 | 1.040 [26.42] | 20 | 449599-1 |

| | |
|--|---|
| DO NOT SCALE PRINT. UNLESS SPECIFIED DIMENSIONS IN INCHES [mm] | DR 7-15-93 T. ALEXANDER |
| TOLERANCES ON: | CHK 8-31-93 D. GUTTER |
| 2 PLC DEC ± | APPD 8-31-93 D. GUTTER |
| 3 PLC DEC ± .005 [0.13] | APPD 8-31-93 T. ALEXANDER |
| ANGLES ± 0°30' | PRODUCT SPEC |
| MATERIAL | HOUSING |
| FINISH | .000050 GOLD IN CONTACT AREA TIN-LEAD ON TAILS |
| APPLICATION SPEC | |
| WEIGHT | |

| | | |
|--|-----------|--------------|
| AMP Incorporated Harrisburg, PA 17105-3608 | | |
| NAME | | |
| RECEPTACLE ASSEMBLY MINI-BOX, SURFACE MOUNT | | |
| SIZE | CAGE CODE | DRAWING NO |
| D | 00779 | C=449599 |
| SCALE | 5:1 | SHEET 1 OF 1 |

THIS DRAWING IS A CONTROLLED DOCUMENT FOR AMP INCORPORATED. IT IS SUBJECT TO CHANGE AND THE CONTROLLING ENGINEERING ORGANIZATION SHOULD BE CONTACTED FOR THE LATEST REVISION.