

Specification Sheet

USB2.0 Flash Drive Handy Steno AH326



Table of Contents

| | |
|------------------------------|---|
| 1. Product Introduction..... | 3 |
| 2. Product Features..... | 3 |
| 3. Specifications..... | 4 |
| 4. Physical Dimension..... | 4 |

1. Product Introduction

Handy Steno AH326 features the innovative “U-Ring” sliding cover with exquisite, sleek, and hand-touch design, bringing out the utilitarian and aesthetic value of a flash drive to its maximum.

The crystal red “U-Ring” sliding cover of AH326 combines the ring with the sliding cover structure and gives itself a simplistic yet elegant appearance. The unique “U-Ring” design of AH326 not only gives AH326 a delicate touch similar to a sliding cell phone, but also prevents the cap from missing. With the anti-slip texture, it also delivers a user experience with nice usability. The combination of all these features makes AH326 a true model of utilitarian aesthetics. Additionally, the crystal red “U-Ring” is eye-catching in comparison with its black and white base colors and can be further customized with your favorite decorations to become a stylish personal accessory.

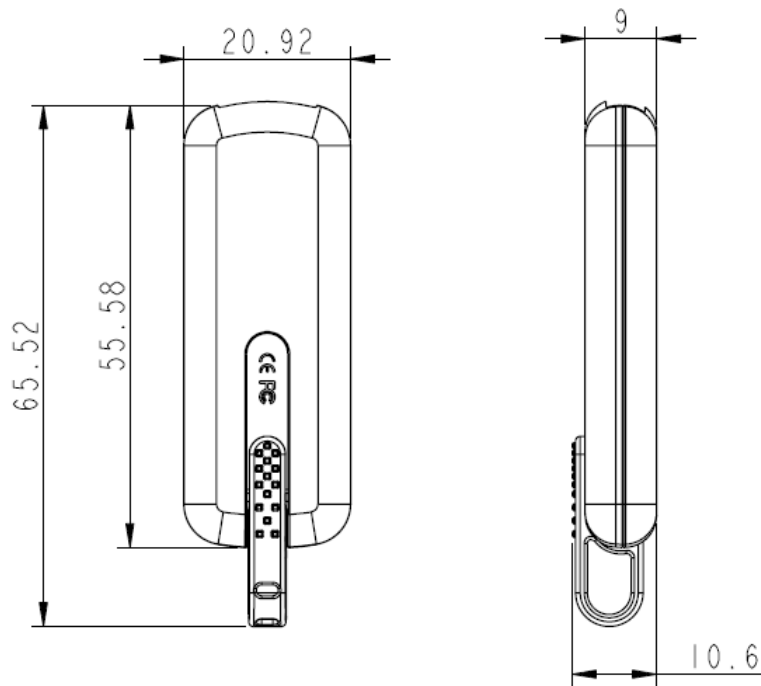
2. Product Features

- USB 2.0 Hi-Speed interface
- Easy plug & play
- Innovative U-ring sliding cover
- Sleek and pebble-like hand-touch design
- Strap hole allows AH326 to be further customized with personal decorations
- Available colors: black & white

3. Specifications

| | |
|-----------------------------|---|
| Interface | High-Speed USB 2.0 certified, backward compatible with USB 1.1 |
| Power supply | USB Bus-Powered No external power required |
| Operating Systems Supported | Windows XP / 2000 / Vista/7, Mac OS 10.4 and Linux 2.6.4 or above |
| Capacity | 2GB~64GB |
| Operating Temperature | 0° C to +60° C (32° F to 140° F) |
| Storage Temperature | -20° C to +60° C (-4° F to +140° F) |
| Dimension | (L) 65.6 x (W) 21 x (H)10.6 mm |
| Weight | 8g approx. |

4. Physical Dimension



Unit: mm