

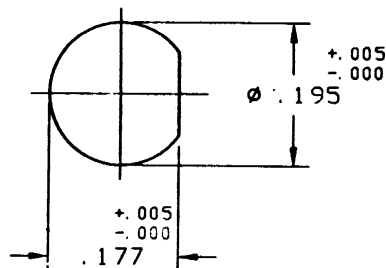
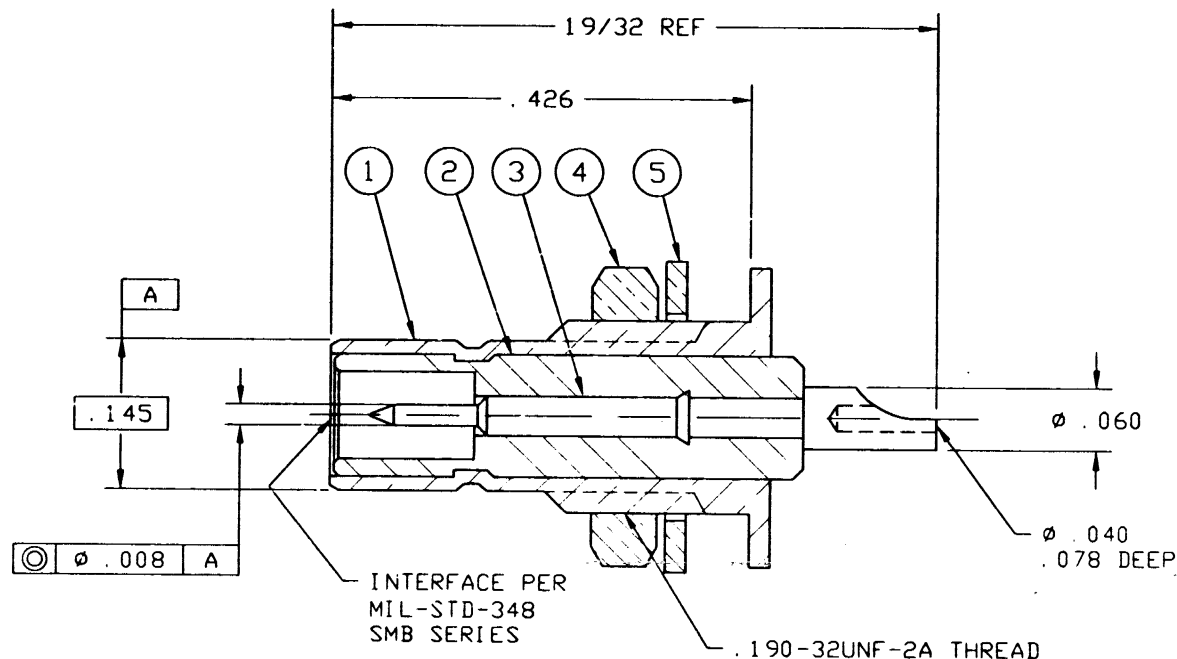
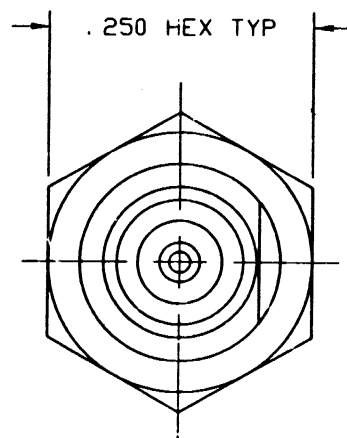
NOTES:

1. PLATING MUST CONFORM TO AMPHENOL SPEC 349-50560.
2. PACKAGE IN ANTI-STATIC BAG 999-284. MARK BAG: "AMPHENOL, 903-305J-51R AND DATE CODE".
3. ORIENTATION BETWEEN FLATS AND SOLDER POCKET IS NOT CRITICAL.
4. DO NOT SCALE THIS DRAWING.

903-305J-51R

REVISIONS

DRAWING NO.	REV	DESCRIPTION	DATE	ECO	APPR
THIRD ANGLE PROJ.	A	RELEASE TO MFG.	8/19/91	38399	FSH
	D	REDRAWN NEW FORMAT; ADD NOTE 4 UPDATED PLATE CODES.	12/11/98	42752	CPM/ <i>AB</i>



MOUNTING HOLE

DESIGNED FOR .093 MAX PANEL

PART NUMBER	QTY	ITEM	DESCRIPTION	FINISH
31-10505-HZ	1	5	LOCKWASHER	NOTE 1
27-206-HZ	1	4	HEX NUT	NOTE 1
903-10373-2GY	1	3	MALE CONTACT	NOTE 1
903-10326-3	1	2	INSULATOR	
903-10440-HZ	1	1	BODY	NOTE 1

UNLESS OTHERWISE SPECIFIED, DIMENSIONS ARE IN INCHES AND TOLERANCES ARE:
 2 PLACE DECIMAL ±.015 (0.381 mm)
 3 PLACE DECIMAL ±.005 (0.127 mm)
 ANGLES ± 1°

NOTICE - These drawings, specifications, or other data (1) are, and remain the property of Amphenol Corp. (2) must be returned upon request; and (3) are confidential and not to be disclosed to any person other than those to whom they are given by Amphenol Corp. The furnishing of these drawings, specifications, or other data by Amphenol Corp., or to any other person to anyone for any purpose is not to be regarded by implication or otherwise in any manner licensing, granting rights or permitting such holder or any other person to manufacture, use or sell any product, process or design, patented or otherwise, that may in any way be related to or disclosed by said drawings, specifications, or other data.

MATERIAL	
REFERENCE	EAR 111-962625

DRAWN	R. PERCY	DATE	8/7/91
ENGINEER		DATE	
APPROVED	F. HULL	DATE	8/15/91
CAD FILE	H:\PETE\SMB\903\ASSY\305J51R0		

TITLE	SMB JACK RECEPTACLE		
CODE ID	74868	DWG SIZE	B
DRAWING NO.	903-305J-51R		

Amphenol	
Amphenol Corporation RF/Microwave Operations Danbury, Conn U.S.A. 06810	
SCALE: 6:1	SHEET OF
REV	D