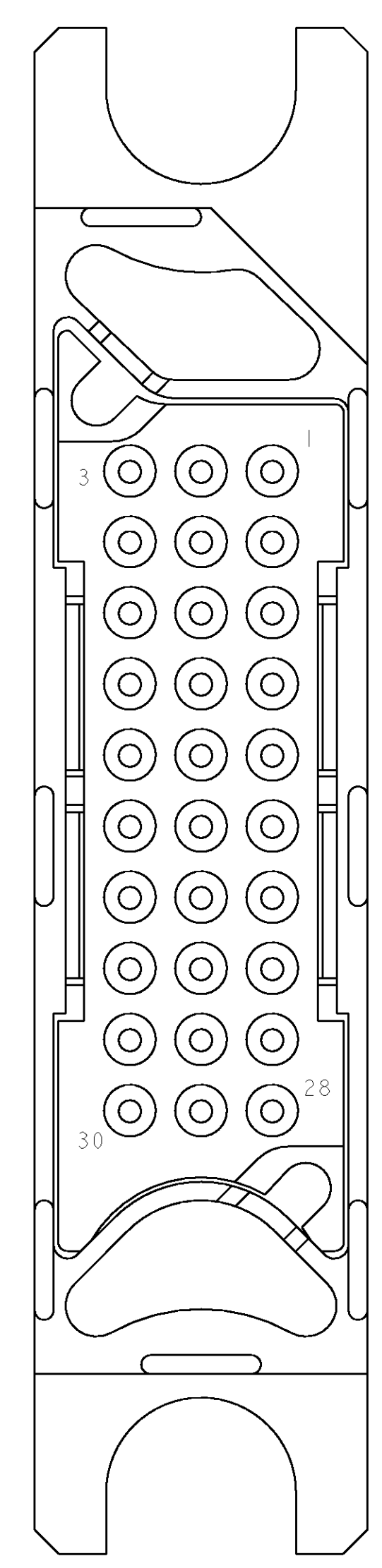
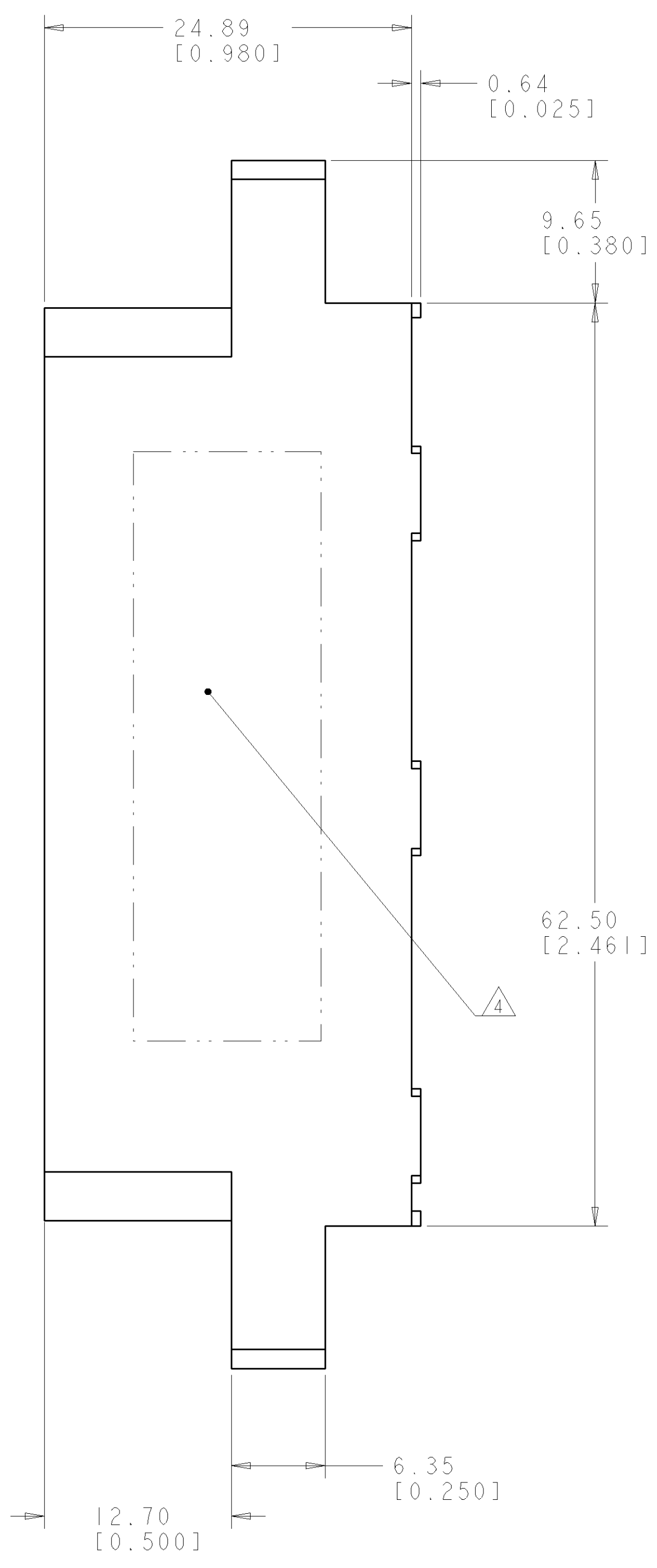
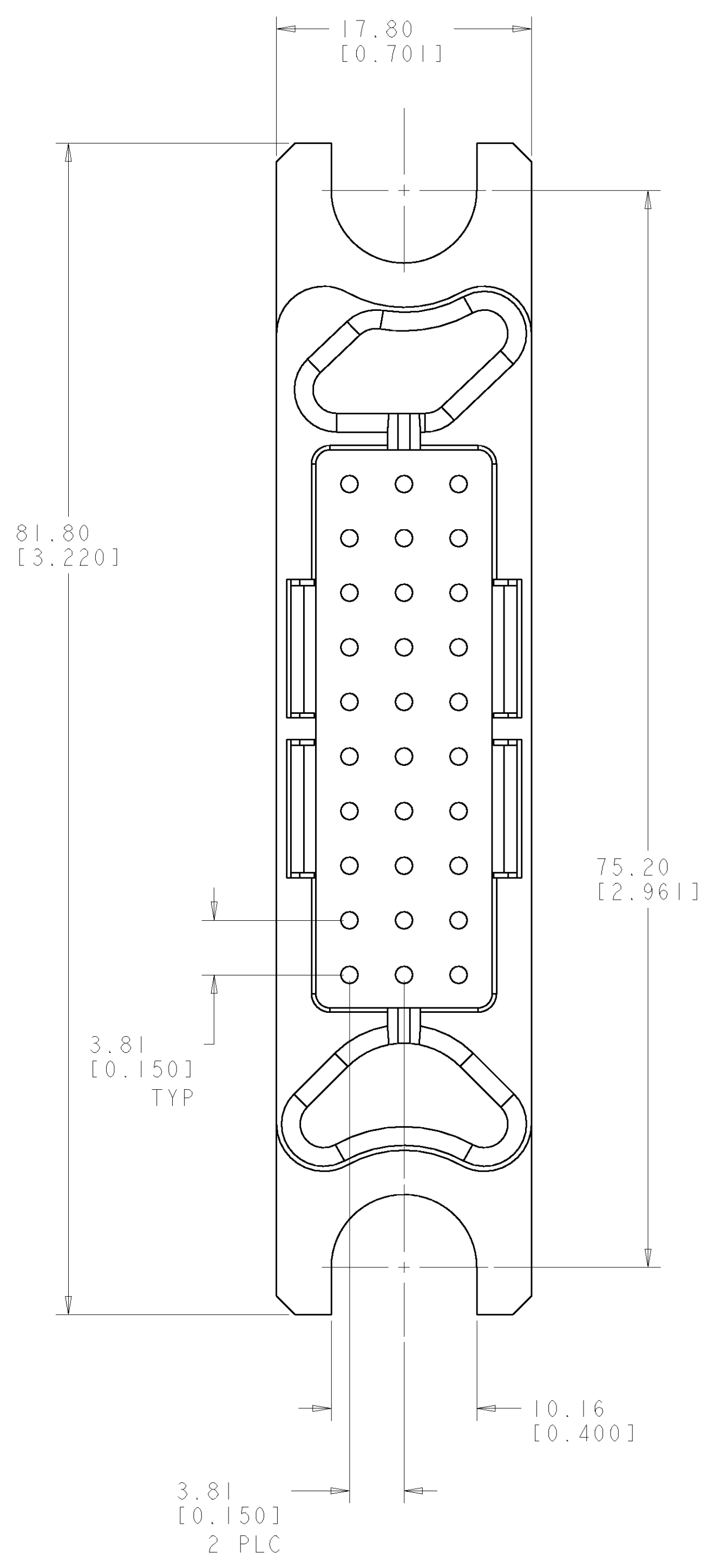


LOC	DIST	REVISIONS					
GP	00	P	LTR	DESCRIPTION	DATE	DWN	APVD
		A		RELEASED	31JUL2006	RG	SF



REAR VIEW

△ PIN CONTACT SIZE #20

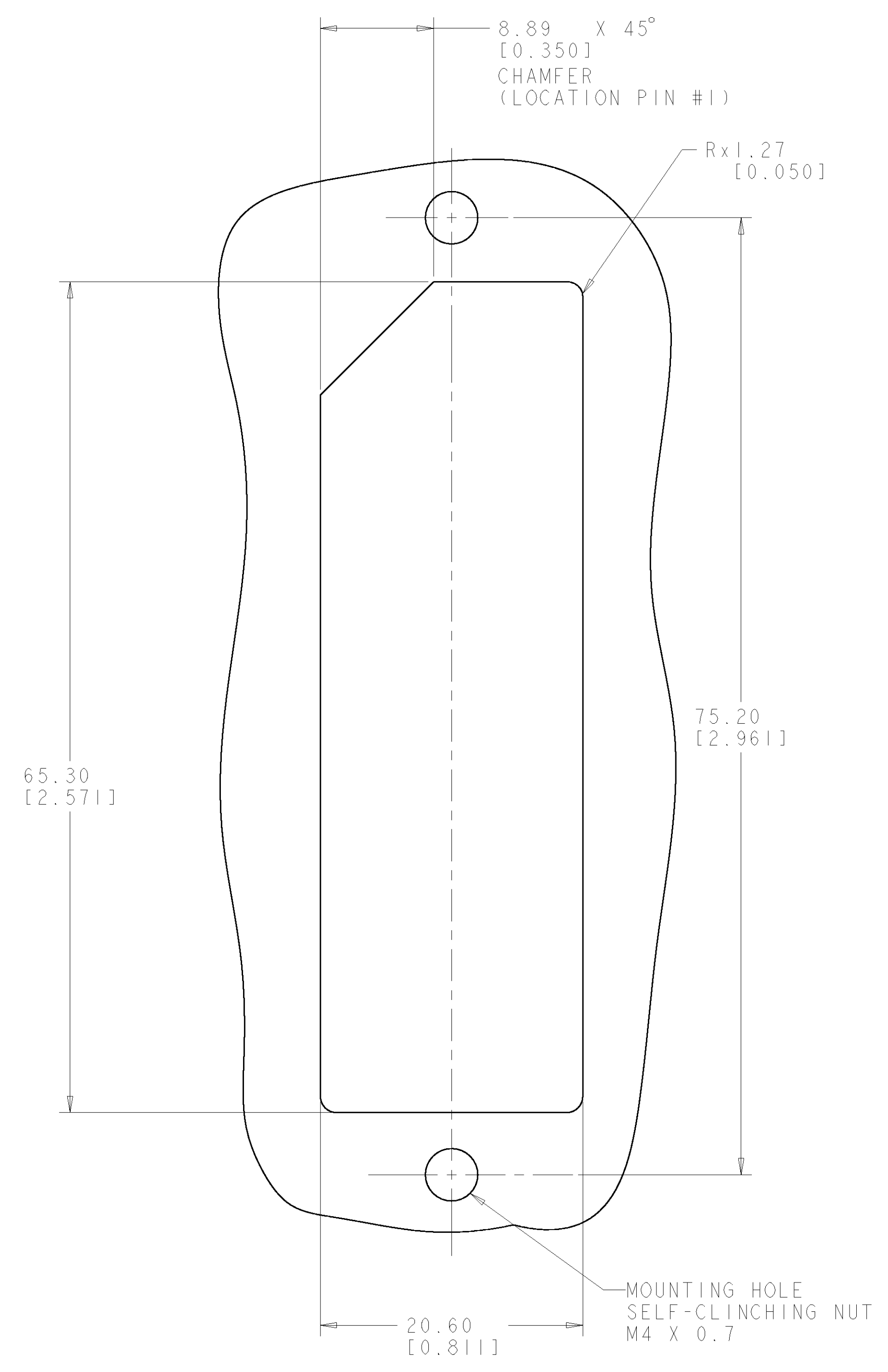
- PART NUMBER CHANGES AND OR DESIGN CHANGES AFFECTING THE INTERCHANGEABILITY REQUIRE PRIOR TYCO APPROVAL AND AUTHORIZATION BY REVISION TO THIS DRAWING.
 - MATERIAL:
 INSULATOR: THERMOPLASTIC, GLASS REINFORCED, FLAMMABILITY RATED, COLOR: BLACK
 CONTACT: COPPER
 RETENTION CLIPS: BERYLLIUM COPPER OR STAINLESS STEEL
 - FINISH:
 CONTACT: GOLD .000010 MIN THK. OVER NICKEL .000040 MIN THK.
- △ ITEMS PROVIDED TO THIS SPECIFICATION TO BE PERMANENTLY IDENTIFIED PER THE FOLLWING IDENTIFIER:
- YEAR WEEK
 TYCO PART NUMBER DATE CODE (e.g. 0216)
 XXXXXXXX-X XXXX
- #20 CRIMP CONTACTS PN 1650155-1, QTY. 30 SHALL BE PACKAGED SEPARATELY AND PLACED IN THE BOX WITH THE CONNECTOR ASSEMBLY.
 - THIS CONNECTOR MATES WITH SOCKET CONNECTOR PN 6643743-1.
 - MOUNTING HARDWARE: SHOULDER SCREW REF. TYCO 1650589-1 TO BE ORDERED SEPARATELY. SHOWN FOR REFERENCE ONLY.

ELCON MINI DRAWER

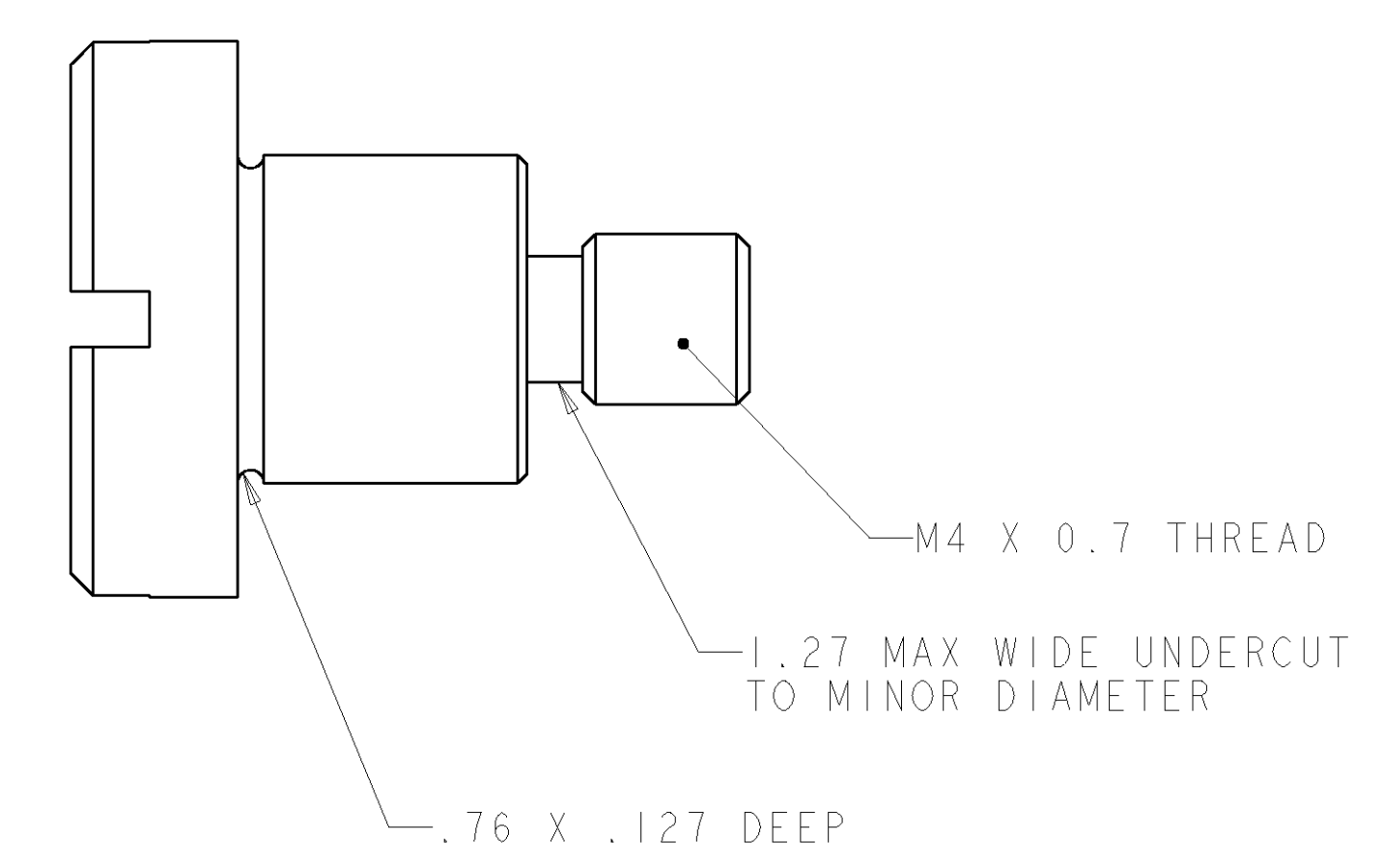
AS SHOWN	6643742-1
DESCRIPTION	PART NUMBER

DIMENSIONS: mm [INCHES] TOLERANCES UNLESS OTHERWISE SPECIFIED: 0 PLC ± 1 PLC ±.5 (.020) 2 PLC ±.25 (.010) 3 PLC ± 4 PLC ± ANGLES ±		DWN: R. GRZYBOWSKI 31 JUL 2006 ENR: S. FLICKINGER 31 JUL 2006 APVD: S. FLICKINGER 31 JUL 2006	Tyco Electronics Harrisburg, PA 17105-3608
MATERIAL: - FINISH: -		NAME: CONNECTOR, PIN CRIMP TAIL APPLICATION SPEC: - PRODUCT SPEC: -	SIZE: A 00779 C=6643742 RESTRICTED TO: -
CUSTOMER DRAWING		WEIGHT: - SCALE: 4:1	SHEET 1 OF 2 REV A

LOC	DIST	REVISIONS					
GP	00	P	LTR	DESCRIPTION	DATE	DWN	APVD
-	-	-	-	SEE SHEET 1	-	-	-



SUGGESTED PANEL CUTOUT
 VIEW FROM CONNECTOR MOUNTING SIDE



SHOULDER SCREW
 P/N 1650589-1
 SCALE 6:1

ELCON MINI DRAWER

<small>THE INFORMATION CONTAINED HEREIN IS UNCLASSIFIED EXCEPT WHERE SHOWN OTHERWISE. IT IS THE POLICY OF TYCO ELECTRONICS CORPORATION TO MAKE THIS INFORMATION AVAILABLE TO THE PUBLIC UNLESS INDICATED OTHERWISE BY THE CUSTOMER OR BY CONTRACT FOR THE CUSTOMER'S PROTECTION.</small>		DWN: R. GRZYBOWSKI 31 JUL 2006 CHK: S. FLICKINGER 31 JUL 2006 APVD: S. FLICKINGER 31 JUL 2006	tyco Tyco Electronics Electronics Harrisburg, PA 17105-3608
DIMENSIONS: mm [INCHES]	TOLERANCES UNLESS OTHERWISE SPECIFIED: 0 PLC ± . 1 PLC ± .5 (.020) 2 PLC ± .25 (.010) 3 PLC ± . 4 PLC ± . ANGLES ± . FINISH ± .	PRODUCT SPEC: APPLICATION SPEC: WEIGHT: CUSTOMER DRAWING	NAME: CONNECTOR, PIN CRIMP TAIL 30 POSN. MINI DRAWER SIZE: A 00779 C=6643742 SCALE: 4:1 SHEET 2 OF 2 REV A