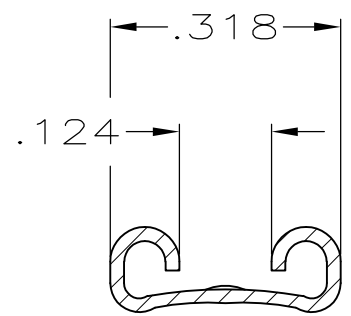
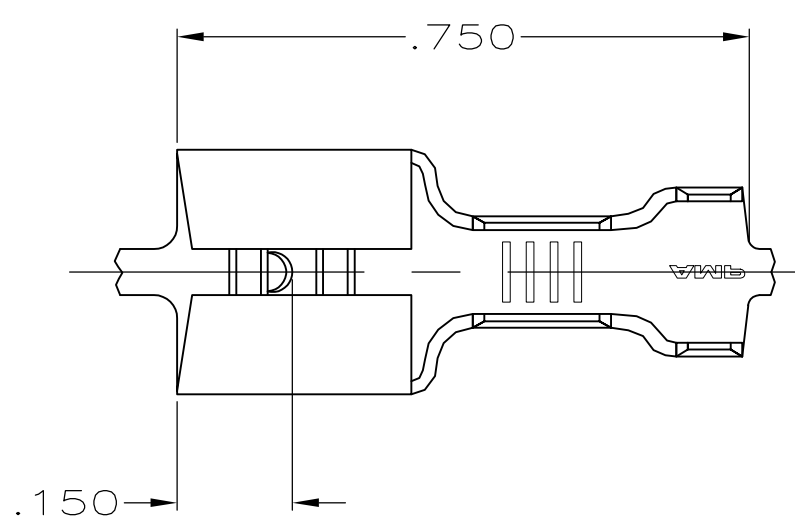


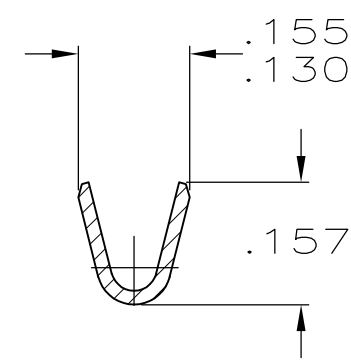
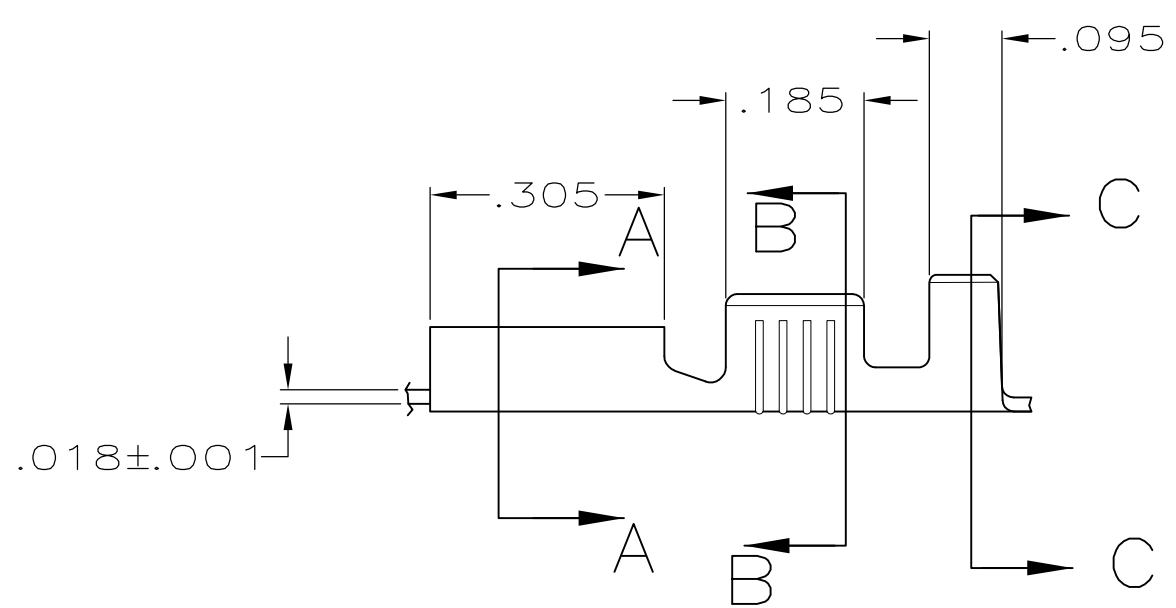
THIS DRAWING IS UNPUBLISHED. RELEASED FOR PUBLICATION
 © COPYRIGHT - By - ALL RIGHTS RESERVED.

LOC	DIST	REVISIONS			
P	LTR	DESCRIPTION	DATE	DWN	APVD
AF	50	E	REVISED PER ECR-11-018063	26DEC11	KH PD

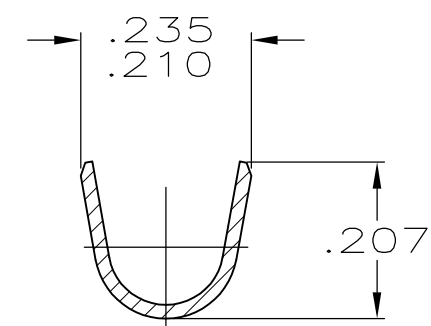
- 1 CONTINUOUS STRIP ON REELS.
- 2 ACCEPTS $.032 \pm .001$ THICK MATING TAB
- 3 ACCEPTS #18-#14 AWG WIRE SIZE.
- 4 INSULATION RANGE TO BE $.120-.170$ DIA
- 5 FEED TO BE $.840 \pm .005$.



SECTION A-A



SECTION B-B



SECTION C-C

TIN	62500-2
-	62500-1
FINISH	PART NO

THIS DRAWING IS A CONTROLLED DOCUMENT.		DWN	JR RUTH	8/30/95	TE Connectivity						
DIMENSIONS: INCHES		CHK	MS FEHER	8/30/95				NAME RECEPTACLE, FASTON, .250 SERIES			
		TOLERANCES UNLESS OTHERWISE SPECIFIED:		APVD	J HUZVAR	8/30/95	SIZE				CAGE CODE
MATERIAL		FINISH		PRODUCT SPEC		APPLICATION SPEC		WEIGHT		SCALE	
-		-		-		-		-		4:1	
				CUSTOMER DRAWING		A3 00779		C-62500		SHEET 1 OF 1	
										REV E	