

4

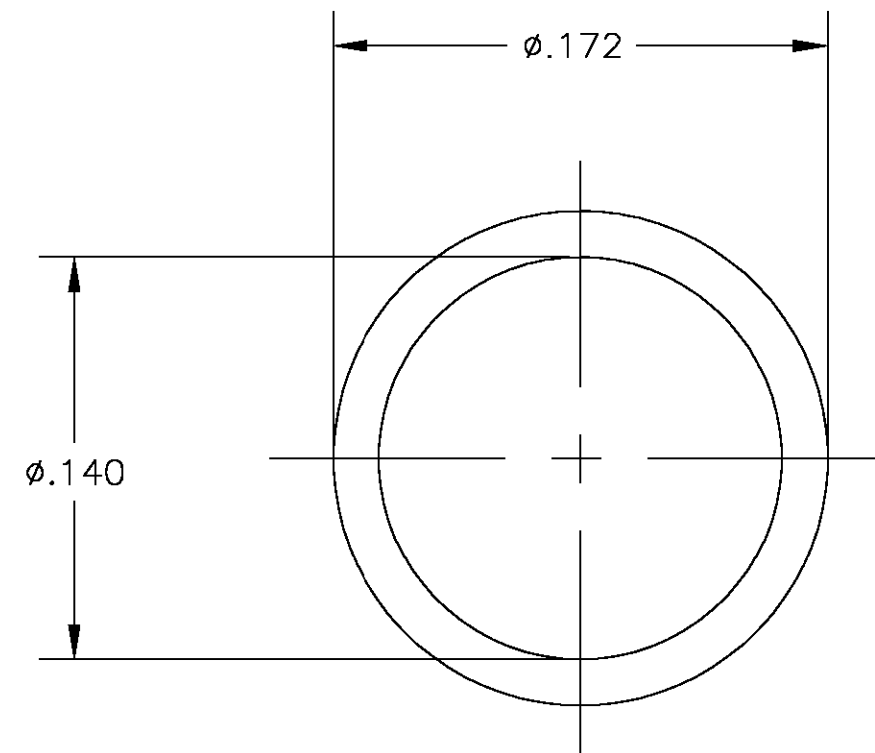
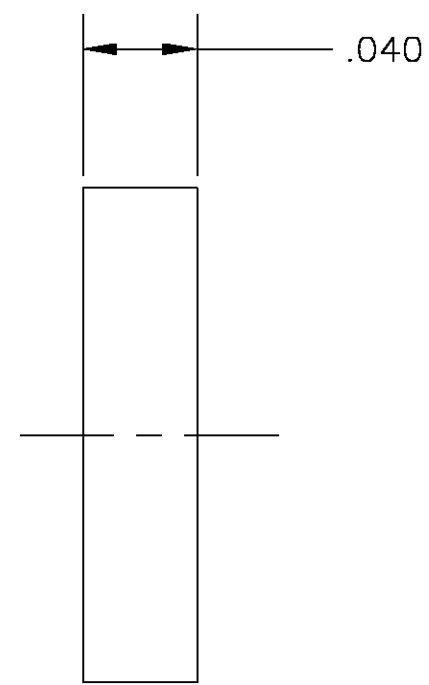
3

2

1

THIS DRAWING IS UNPUBLISHED. RELEASED FOR PUBLICATION
 © COPYRIGHT BY TYCO ELECTRONICS CORPORATION. ALL RIGHTS RESERVED.

LOC	DIST	REVISIONS			
P	LTR	DESCRIPTION	DATE	DWN	APVD
HC	00	A	RELEASE	2/4/03	DCam



NOTE:
 1. MATERIAL: CONDUCTIVE ELASTOMERS PER MIL-G-83528

1055344-1
 PART NO

THIS DRAWING IS A CONTROLLED DOCUMENT.		DWN DCam	04FEB2003	tyco Electronics		Tyco Electronics Corporation Norwood, MA 02062														
DIMENSIONS: INCHES		CHK	-	APVD DCam		2/4/03														
TOLERANCES UNLESS OTHERWISE SPECIFIED:		PRODUCT SPEC		NAME GASKET (2098-3333-54)																
<table border="0"> <tr><td>0 PLC</td><td>± -</td></tr> <tr><td>1 PLC</td><td>± -</td></tr> <tr><td>2 PLC</td><td>± -</td></tr> <tr><td>3 PLC</td><td>± .005</td></tr> <tr><td>4 PLC</td><td>± -</td></tr> <tr><td>ANGLES</td><td>± 1</td></tr> </table>		0 PLC	± -	1 PLC	± -	2 PLC	± -	3 PLC	± .005	4 PLC	± -	ANGLES	± 1	APPLICATION SPEC		SIZE		CAGE CODE	DRAWING NO	RESTRICTED TO
0 PLC	± -																			
1 PLC	± -																			
2 PLC	± -																			
3 PLC	± .005																			
4 PLC	± -																			
ANGLES	± 1																			
MATERIAL		WEIGHT		A3		00779	©-1055344	-												
FINISH		CUSTOMER DRAWING		SCALE		15:1	SHEET	1 OF 1												
								REV												
								A												