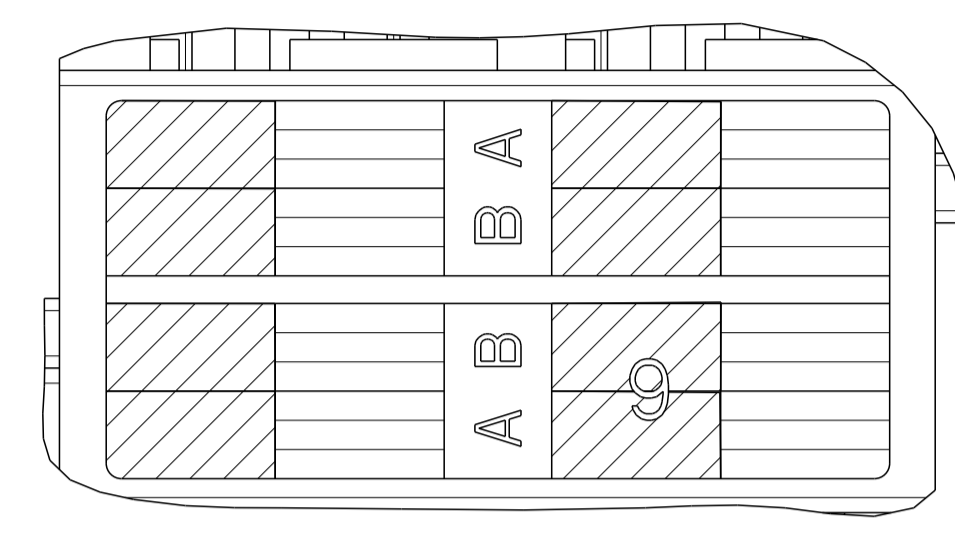
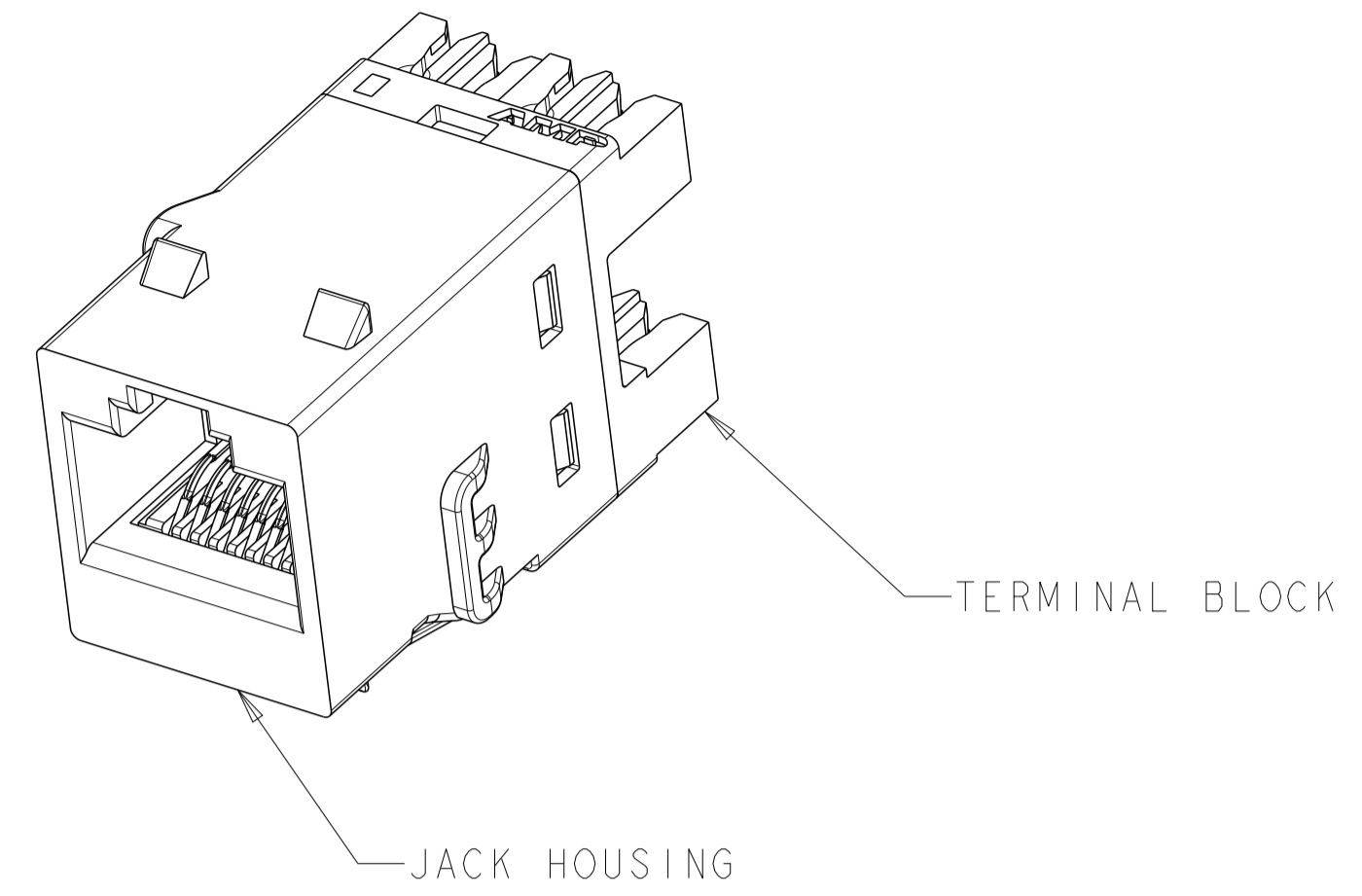
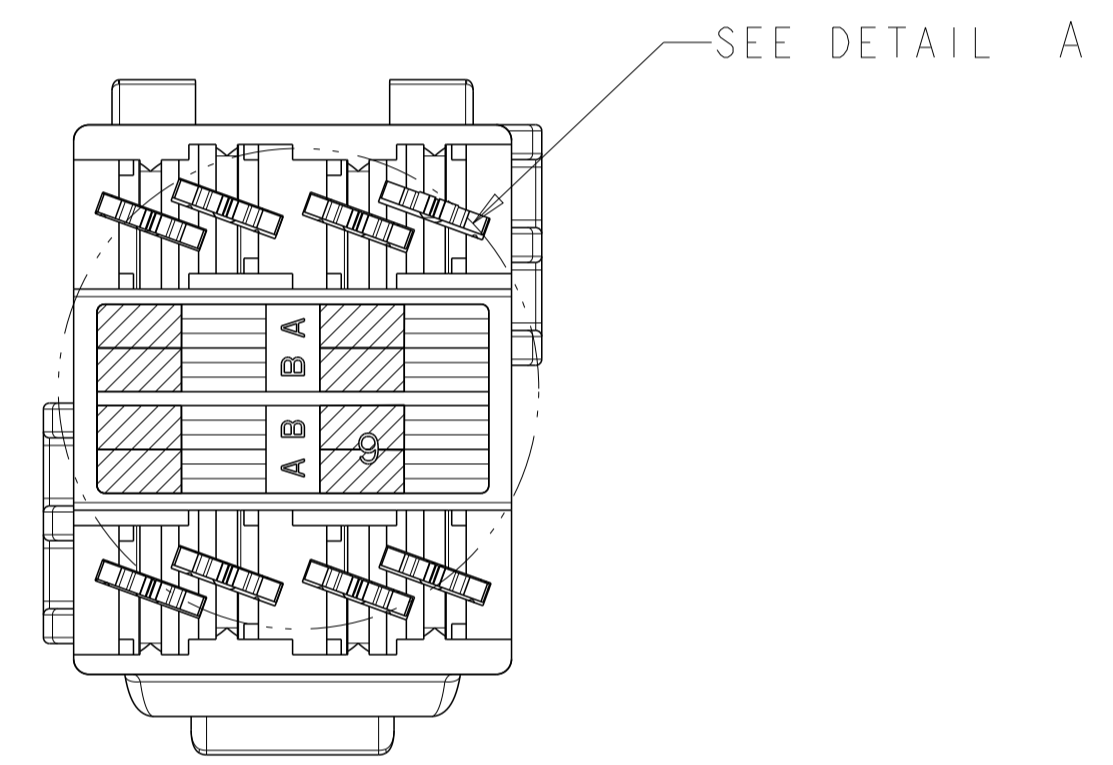
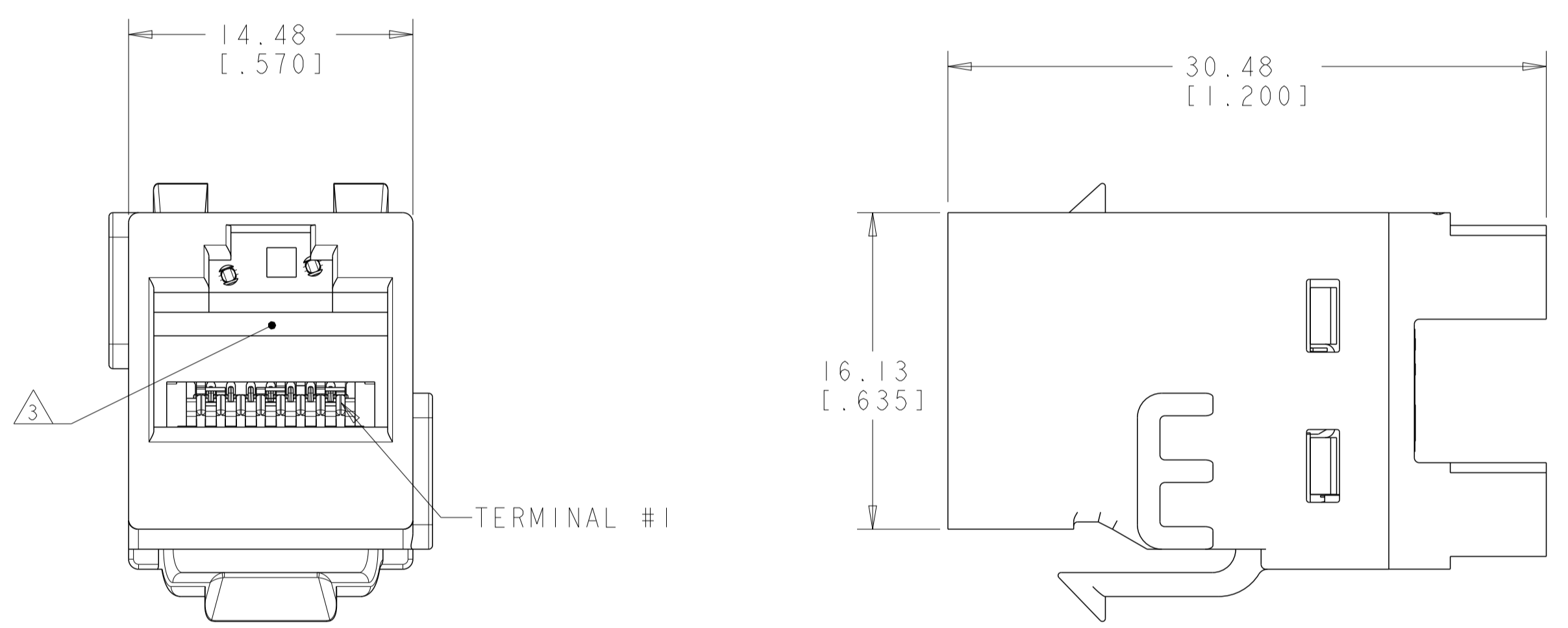


LOC	DIST	REVISIONS					
		P	LTN	DESCRIPTION	DATE	DWN	APVD
HM	00	D		REV: ECO-15-003768	11MAR2015	GG	LS



- △ MATERIAL: JACK HOUSING - POLYCARBONATE, 94V-0 RATED.
 110 BLOCK - POLYCARBONATE.
 ARRAY TRAY - PBT POLYESTER.
 JACK CONTACTS ARRAY - BERYLLIUM COPPER, PLATED WITH 1.27µm [.000050] MINIMUM THICK GOLD IN LOCALIZED AREA AND 3.81µm [.000150] MINIMUM THICK MATTE TIN IN BOARD INTERFACE AREA OVER 1.27µm [.000050] MINIMUM THICK NICKEL UNDERPLATE.
 IDC TERMINALS - PHOSPHOROUS BRONZE, PLATED WITH 3.81µm [.00015] MINIMUM THICK MATTE TIN OVER 1.27µm [.00005] MINIMUM THICK NICKEL UNDERPLATE.
- 2. SL 110 JACK WILL TERMINATE 22-24 AWG SOLID AND 24-26 AWG STRANDED CONDUCTORS, 1.27[.050] MAXIMUM INSULATION DIAMETER. JACK WILL ACCEPT CONDUCTORS UP TO 1.45 [.057] BUT REQUIRE THE USE OF A STRAIN RELIEF.
- △ 3. CAVITY CONFORMS TO FCC RULES AND REGULATIONS PART 68 SUBPART F REQUIREMENTS.
- 4. MOUNTING PANEL THICKNESS 1.47 - 1.60 [.058 - .063].
- △ 5. THESE TWO SUGGESTED CUTOUT OPENINGS ARE USED IN TANDEM WITH DUAL FRONT AND BACK CUTOUTS.
- △ 6. ONE MODULAR JACK ASSEMBLY PER POLYBAG.
- △ 7. TWENTY FIVE MODULAR JACKS PER POLYBAG.
- △ 8. REFER TO 408-8858 FOR TERMINATION INSTRUCTIONS USING SL SERIES TOOL TERMINATION. REFER TO 408-8417 FOR TERMINATION INSTRUCTIONS USING 110 PUNCH DOWN TOOL.

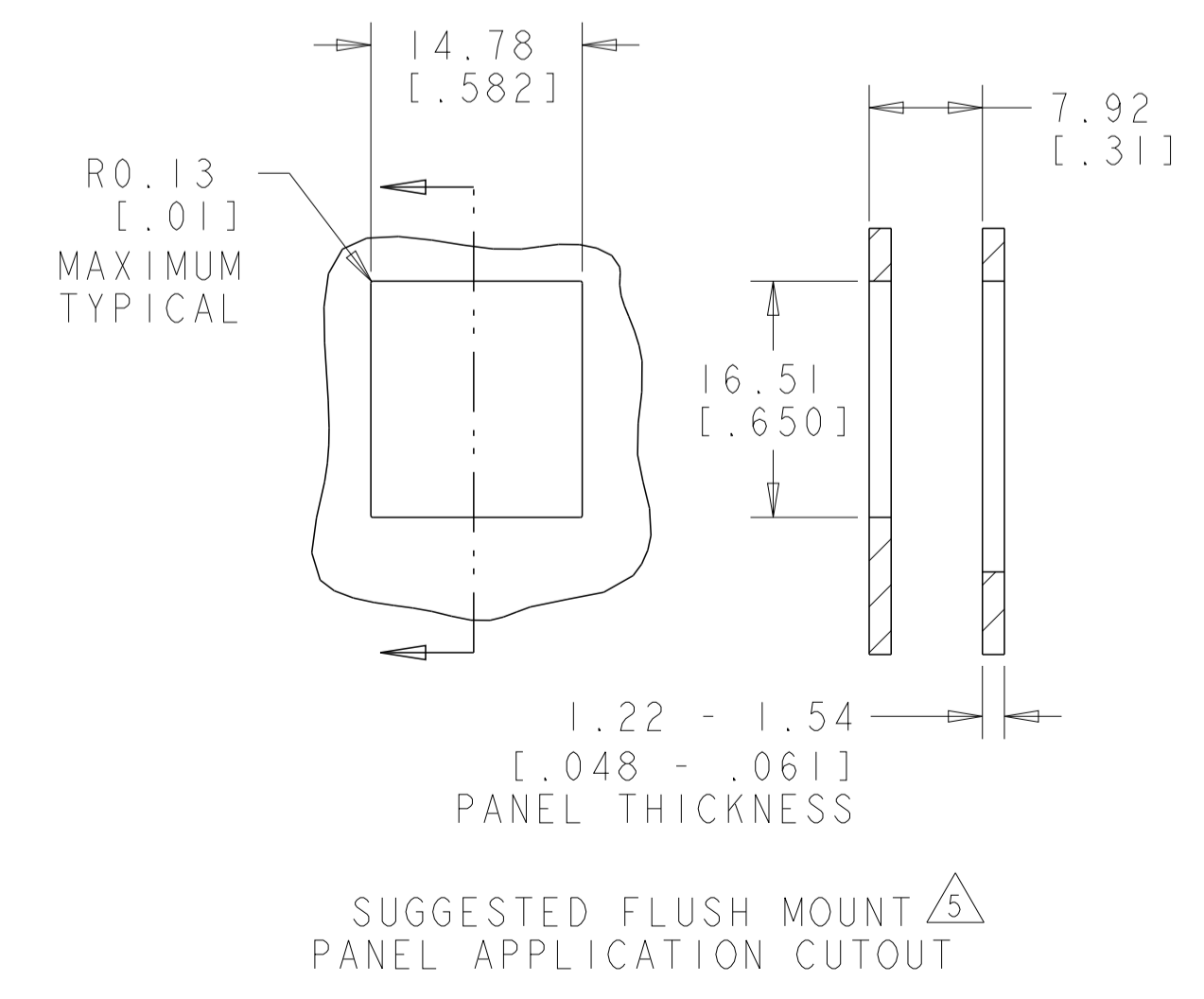
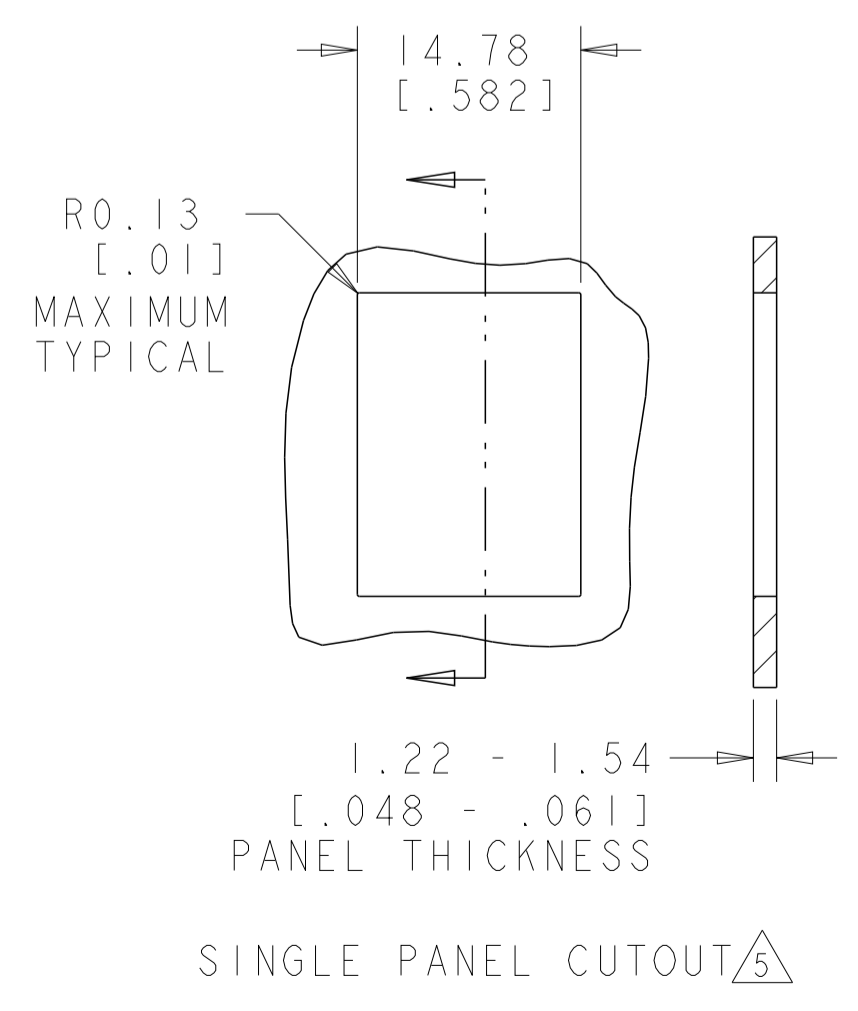


COLOR CODE	IDC TERMINAL	MODULAR JACK	
WHITE/BLUE	5		5
BLUE	4		4
WHITE/ORANGE	3		3
ORANGE	6		6
WHITE/GREEN	1		3
GREEN	2		6
WHITE/BROWN	7		7
BROWN	8		8

ELECTRICAL SCHEMATIC T568A

COLOR CODE	IDC TERMINAL	MODULAR JACK	
WHITE/BLUE	5		5
BLUE	4		4
WHITE/ORANGE	1		1
ORANGE	2		2
WHITE/GREEN	3		3
GREEN	6		6
WHITE/BROWN	7		7
BROWN	8		8

ELECTRICAL SCHEMATIC T568B



△	ALPINE WHITE	3-2111475-3
	ELECTRIC IVORY	3-2111475-1
	VIOLET	3-2111475-0
	GREEN	2-2111475-9
	YELLOW	2-2111475-8
	RED	2-2111475-7
	BLUE	2-2111475-6
	ORANGE	2-2111475-5
	NEMA GRAY	2-2111475-4
	BLACK	2-2111475-2
	LIGHT ALMOND	2-2111475-1
△	ALPINE WHITE	1-2111475-3
	ELECTRIC IVORY	1-2111475-1
	VIOLET	1-2111475-0
	GREEN	2111475-9
	YELLOW	2111475-8
	RED	2111475-7
	BLUE	2111475-6
	ORANGE	2111475-5
	NEMA GRAY	2111475-4
	BLACK	2111475-2
	LIGHT ALMOND	2111475-1
△	PACKAGE	HOUSING COLOR PART NUMBER

THIS DRAWING IS A CONTROLLED DOCUMENT.

DWN: J. BURWELL 20NOV2011
 CHK: S. ALLGOOD 20NOV2011

TE Connectivity

ASSEMBLY, 110 JACK, CAT 6, E-SERIES

PRODUCT SPEC: 108-131004
 APPLICATION SPEC: △8

SIZE: A1 CAGE CODE: 00779 DRAWING NO: 2111475
 SHEET 1 OF 1 REV D

Customer Drawing SCALE: 2:1