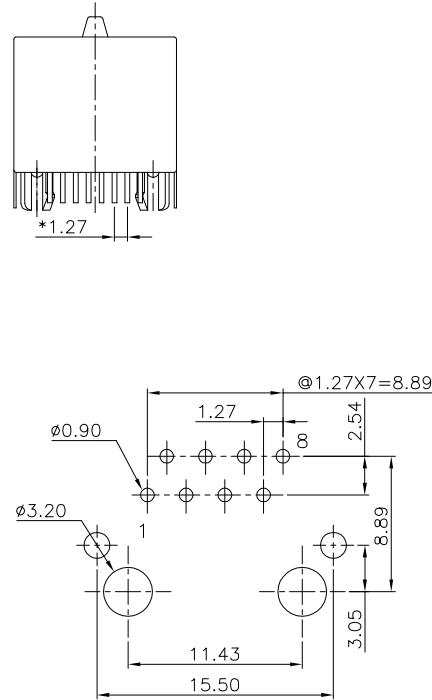
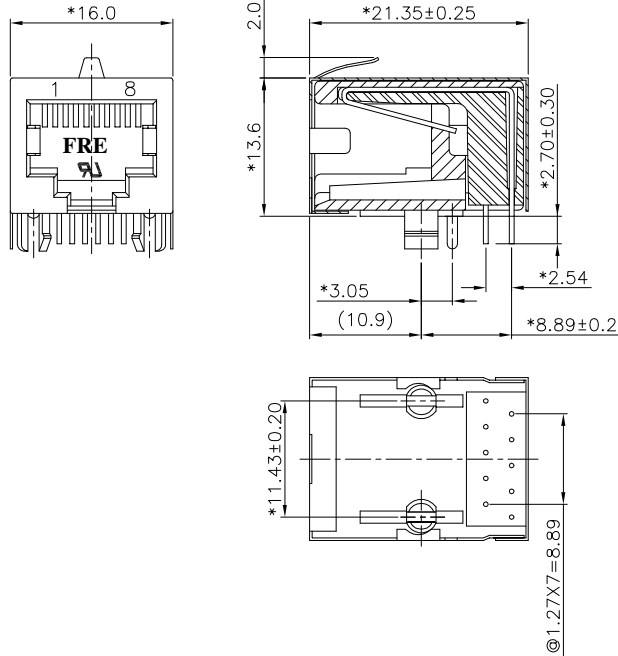


REVISION RECORD				
REV	ECO	DESCRIPTION	DRFT	CHKD
△		ADD P/ N	WYJ 06/09/05	



PC Board Layout Component Side Shown

NOTES:

ELECTRICAL:

1. VOLTAGE RATING : 125 VAC RMS.
2. CURRENT RATING : 1.5 AMP.
3. CONTACT RESISTANCE : 45 MILLIOHMS MAX.
4. INSULATION RESISTANCE: 1000 MEGOHMS MIN @ 500 VDC.
5. DIELECTRIC STRENGTH : 1000 VAC RMS 60Hz, 1MIN.

MECHANICAL:

1. HOUSING & INSERT MATERIAL : PA9T & NYLON+30%GF UL94V-0.
2. CONTACT MATERIAL : PHOSPHOR BRONZE  $\phi$ 0.46mm.
3. PLATING : GOLD PLATING OVER NICKEL.
4. OPERATING LIFE : 750 CYCLES MIN.
5. PCB RETENTION PRE-SOLDER : 1 LB MIN.
6. PCB RETENTION POST-SOLDER: 10 LBS MIN.
7. SHIELD PLAING : NICKEL PLAING OVER BRASS.

ENVIRONMENTAL:

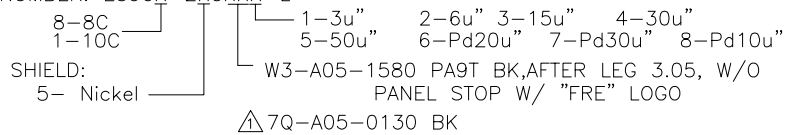
1. STORAGE : -40°C TO +85°C.
2. OPERATION: -40°C TO +85°C.
3. WAVE SOLDERING TEMPERATURE: 255~265°C (5~10 SECONDS)

MATES WITH MODULAR PLUG CONFORMING TO

FCC PART 68, SUBPART F.

CUL FILE NO. E163191

PART NUMBER: E590X-2X0XXX-L



← MM (INCH) →		DFTO QSJ	DATE 5/06/05'
TOLERANCES EXCEPT AS NOTED		CHKD	DATE
		MFO	DATE
		APPVL XLF	DATE 06/13/05'
MATERIAL :			
ANGLES ±		QT'Y :	
THIRD ANGLE PROJECTION		FINISH :	
		SCALE :	

FULL RISE ELECTRONIC CO., LTD

TITLE  
20.57 PCB JACK 10P

DRAWING NO. GE593125-LA

/PART NO. SEE NOTE

DO NOT SCALE DRAWING

SIZE  
A3

REV  
1

SHEET X OF Y