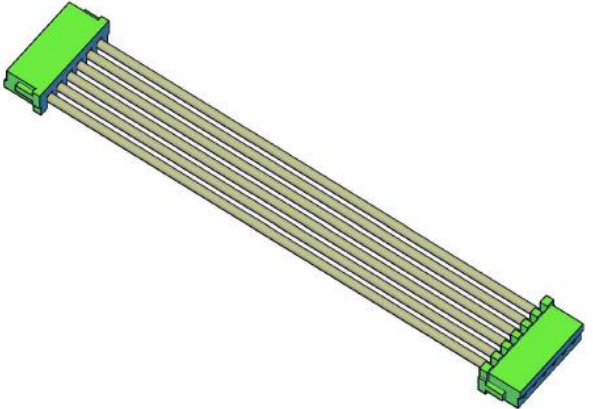
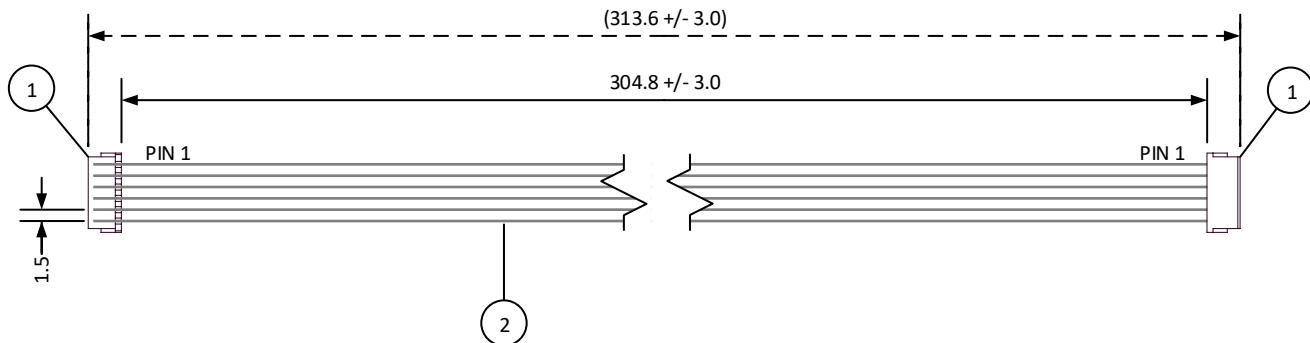


4		3		2		1	
ITEM	CONNECTOR PART NO.	DESCRIPTION	IPI CHECK	EOR CHECK	Applicable Tooling		
1	See Table 1	ZR CONNECTOR			BCD		
2	UL1571, 28 AWG	GREY			TABLE 1		

ITEM	NUMBER OF CIRCUITS	CONNECTOR PART NO.	ASSEMBLY PART NUMBER	TOTAL WIRE REQUIRED
1	2	02ZR-8M-P	A02ZR02ZR28H305A	609.6
1	3	03ZR-8M-P	A03ZR03ZR28H305A	914.4
1	4	04ZR-8M-P	A04ZR04ZR28H305A	1,219.2
1	5	05ZR-8M-P	A05ZR05ZR28H305A	1,524.0
1	6	06ZR-8M-P	A06ZR06ZR28H305A	1,828.8
1	7	07ZR-8M-P	A07ZR07ZR28H305A	2,133.6
1	8	08ZR-8M-P	A08ZR08ZR28H305A	2,438.4
1	9	09ZR-8M-P	A09ZR09ZR28H305A	2,743.2
1	10	10ZR-8M-P	A10ZR10ZR28H305A	3,048.0
1	11	11ZR-8M-P	A11ZR11ZR28H305A	3,352.8
1	12	12ZR-8M-P	A12ZR12ZR28H305A	3,657.6
1	13	13ZR-8M-P	A13ZR13ZR28H305A	3,962.4



SCALE 1:1		CUSTOMER NAME		CUSTOMER PART NO.	
DIMENSIONS All dimensions are in MM with a tolerance of +/- 3.0 unless otherwise specified.		DESCRIPTION 1.5 mm Pitch ZR Standard Catalog Assembly - 12" Overall Length - Pin out: 1 to 1			
DRAWN BY STEVEN PILKINGTON		ASSEMBLY PART NO. SEE TABLE 1			
CHECKED BY JUSTIN BAKER		DRAWING NO. & REVISION GAM-018		REVISED 2/25/2016	



REV.	DESCRIPTION	DATE	BY
------	-------------	------	----

4 3 2 1