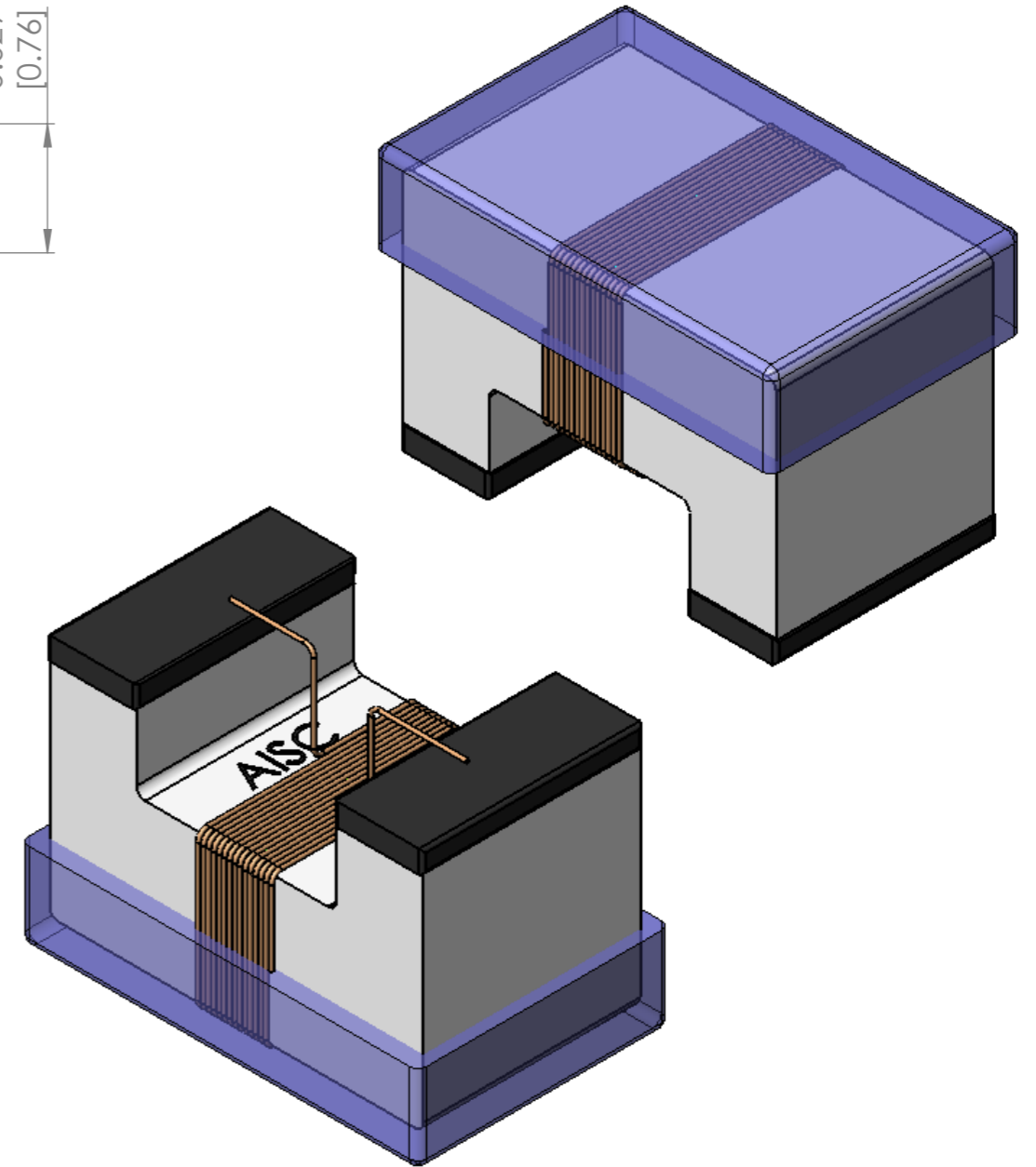
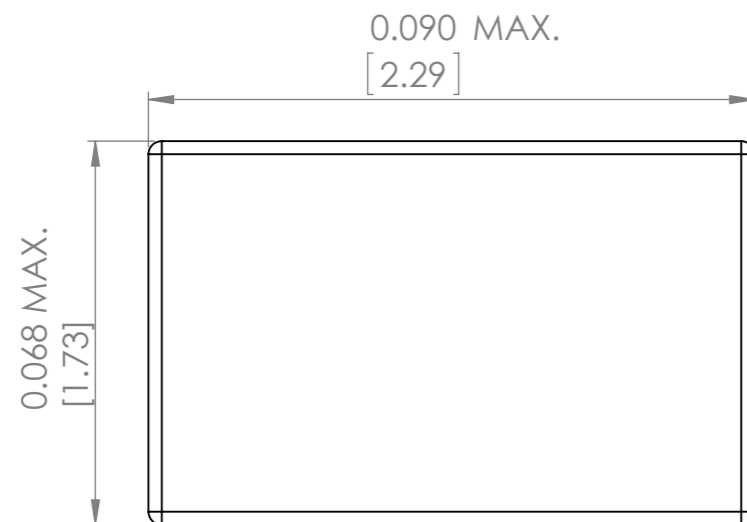
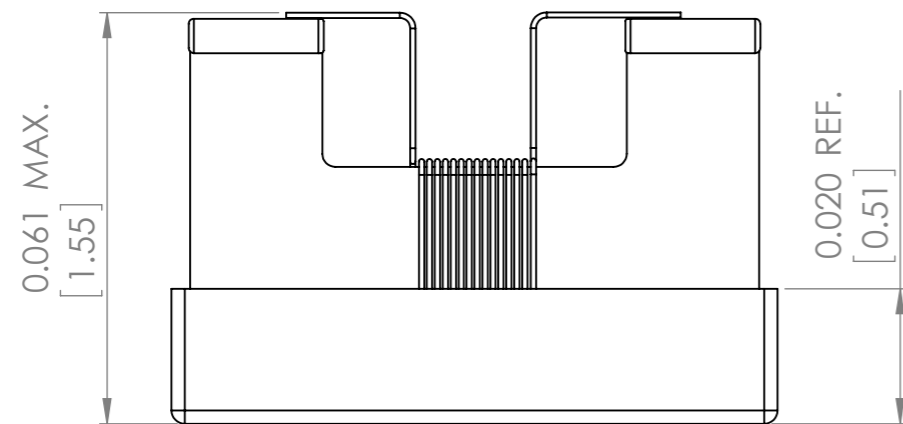
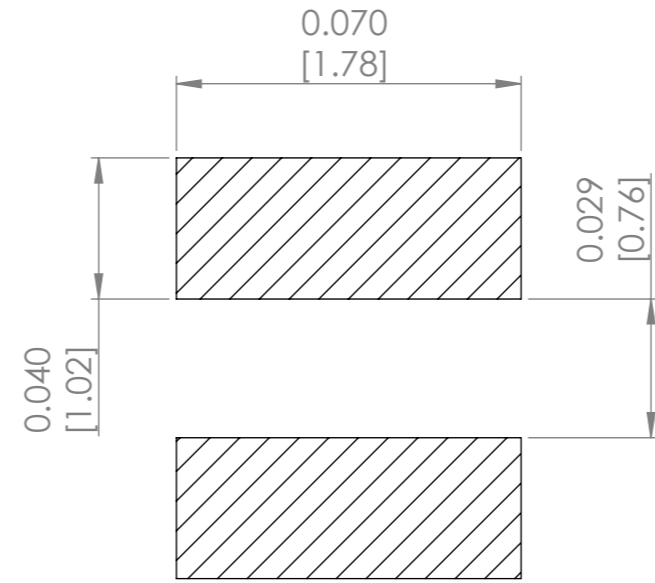



RECOMMENDED LAND PATTERN



UNLESS OTHERWISE SPECIFIED: DIMENSIONS ARE IN INCH(MM) SURFACE FINISH: TOLERANCES: LINEAR: ANGULAR:				FINISH:	DEBUR AND BREAK SHARP EDGES	DO NOT SCALE DRAWING	REVISION	-
DRAWN	NAME	SIGNATURE	DATE			 30332 Esperanza, Rancho Santa margarita, California 92688		
CHK'D	SAAZVAT					TITLE: Wirewound RF chip inductor		
APPV'D	XXXXXX					DWG NO.	A3	
MFG					MATERIAL:	AISC-0805		
Q.A					WEIGHT:	SCALE:35:1	SHEET 1 OF 1	