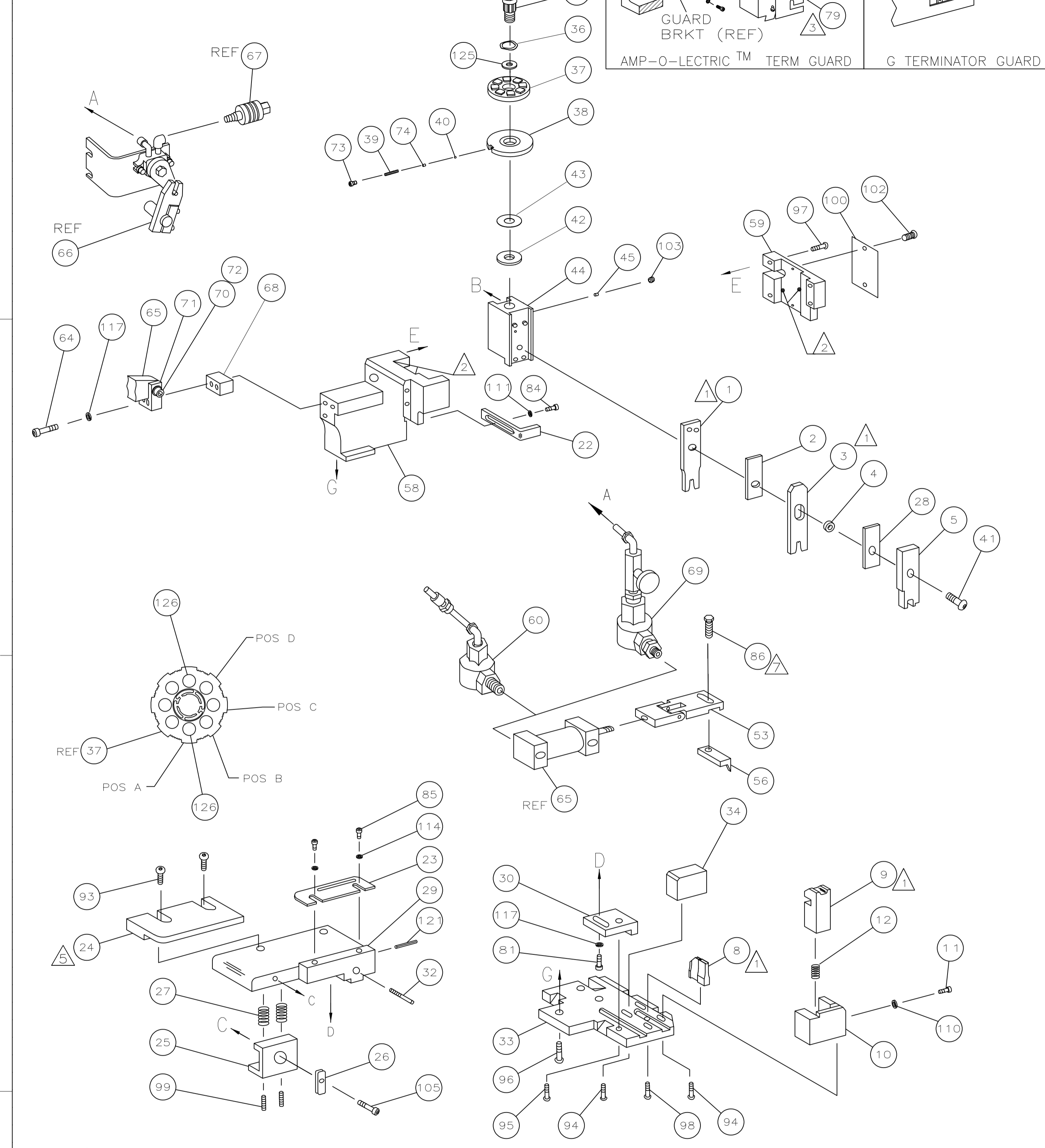
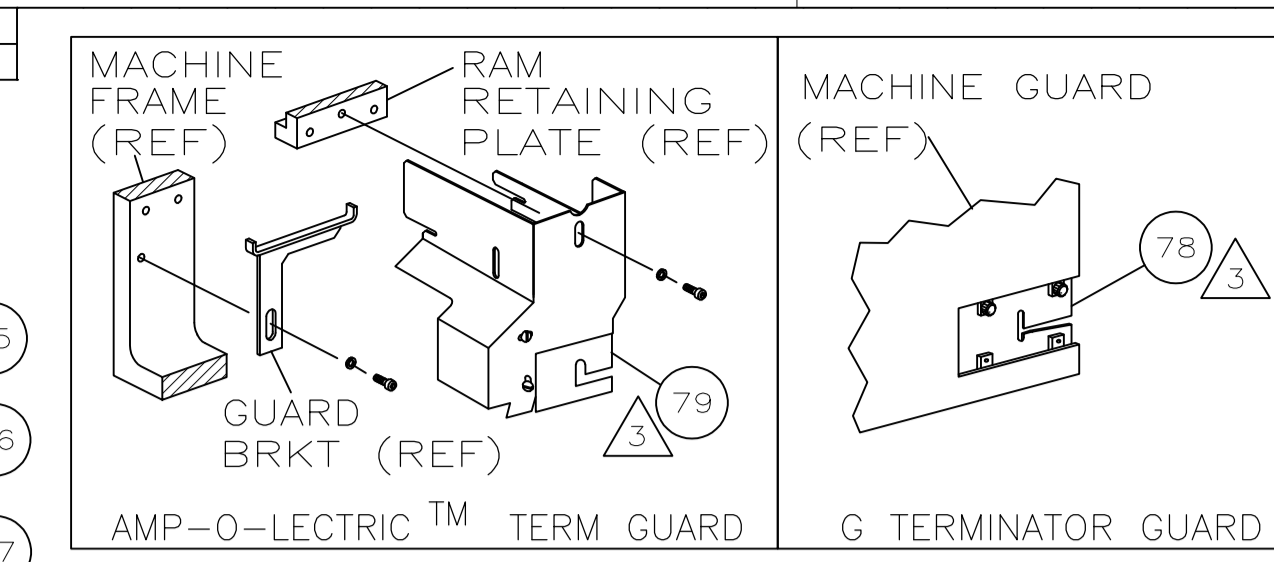


| PART NUMBER | REV | FIRST USED |
|-------------|-----|------------|
| 1852017-1 | B | 122500-1 |
| 1852017-2 | B | 565435-5 |
| 1852017-3 | B | 354500-1 |



- 1 RECOMMENDED SPARE PARTS.
- 2 GREASE LIGHTLY.
- 3 GUARD MUST BE IN PLACE WHEN OPERATING APPLICATOR IN A BENCH MACHINE.
- 4 SEE DRAWING FOR COMPONENTS
- 5 REAR STRIP GUIDE TO GUIDE ON INSULATION BARREL.
- 6 TRIM TO FIT ITEM 43 TO OUTSIDE DIAMETER OF ITEM 42 DURING ASSEMBLY.
- 7 CUT TO LENGTH AT ASSEMBLY.



| TERMINAL NAME: VERTICAL BULKHEAD CABLE RECPTACLE POWER CONTACT | | | |
|--|---------------------------|--------------|------------------|
| 1761385-3 | | AMP TERMINAL | AMP CRIMP SPECS |
| PAD LTR | CRIMP HEIGHT | WIRE SIZE | |
| A | .122 ±.002 [3.10 ±0.05mm] | 8 or (2)12 | |
| B | NOT | USED | |
| C | NOT | USED | |
| D | NOT | USED | |
| CRIMP | SIZE | TYPE RANGE | |
| WIRE | .176 [4.47mm] | F 8 | |
| INSUL | .280 [7.11mm] | 0 .176-.272 | |
| WIRE STRIP LENGTH | TERM APPL SPEC | FEED | APPL INSTRUCTION |
| .265-.295 | NONE | .900 | 408-8040 |
| SET UP GAGE | LAYOUT | | |
| 458637-1 | L2865 | | |

| QTY REQD PER ASSY | PART NO | DESCRIPTION | ITEM NO |
|-------------------|---------|-------------|------------|
| 1 | 1 | 1 | 129 |
| | | | 128 |
| | | | 127 |
| 2 | 2 | 2 | 2-354778-1 |
| 1 | 1 | 1 | 986950-1 |
| 1 | 1 | 1 | 217238-1 |
| 1 | 1 | 1 | 4088040 |
| | | | 122 |
| 1 | 1 | 1 | 4-21028-0 |
| | | | 120 |
| | | | 119 |
| | | | 118 |
| 3 | 3 | 3 | 21024-5 |
| | | | 116 |
| | | | 115 |
| 2 | 2 | 2 | 21024-2 |
| | | | 114 |
| | | | 113 |
| | | | 112 |
| 1 | 1 | 1 | 21024-4 |
| 1 | 1 | 1 | 21055-6 |
| | | | 109 |
| | | | 108 |
| | | | 107 |
| | | | 106 |
| 1 | 1 | 1 | 22353-8 |
| | | | 105 |
| | | | 104 |
| 1 | 1 | 1 | 21009-2 |
| 2 | 2 | 2 | 21017-2 |
| | | | 103 |
| | | | 102 |
| | | | 101 |
| 1 | 1 | 1 | 461264-1 |
| 2 | 2 | 2 | 5-21006-6 |
| 1 | 1 | 1 | 22733-8 |
| 4 | 4 | 4 | 2-21002-9 |
| 3 | 3 | 3 | 2-22733-8 |
| 1 | 1 | 1 | 2-21002-7 |
| 4 | 4 | 4 | 2-21002-2 |
| 2 | 2 | 2 | 2-21002-4 |
| | | | 92 |
| | | | 91 |
| | | | 90 |
| | | | 89 |
| | | | 88 |
| | | | 87 |
| 1 | 1 | 1 | 2-21002-1 |
| 2 | 2 | 2 | 1-21000-3 |
| 1 | 1 | 1 | 2-21000-7 |
| | | | 84 |
| | | | 83 |
| | | | 82 |
| 1 | 1 | 1 | 3-21000-4 |
| | | | 81 |
| | | | 80 |
| | | | 79 |
| REF | | | 679532-1 |
| | | | 78 |
| | | | 77 |
| | | | 76 |
| | | | 75 |
| 1 | 1 | 1 | 690603-1 |
| 1 | 1 | 1 | 23030-1 |
| 1 | 1 | 1 | 3-21001-4 |
| 1 | 1 | 1 | 459610-3 |
| | | | 71 |
| -3 | -2 | -1 | U/M |

| QTY REQD PER ASSY | | | | PARTS LIST | | | |
|-------------------|---------|-------------|---------|-------------------|---------|-------------|---------|
| QTY REQD PER ASSY | PART NO | DESCRIPTION | ITEM NO | QTY REQD PER ASSY | PART NO | DESCRIPTION | ITEM NO |
| -3 | -2 | -1 | U/M | | | | |

| LOC | | DIST | | REVISIONS | | | |
|-----|----|------|-----|---------------|---------|----|------|
| A | 66 | F | LTR | DESCRIPTION | DATE | BY | APVD |
| | | B | | ECR-07-029302 | 12-2007 | MY | TE |

| QTY REQD PER ASSY | | | | PARTS LIST | | | |
|-------------------|---------|---------------|---------|-------------------|-----------------------------|-------------|---------|
| QTY REQD PER ASSY | PART NO | DESCRIPTION | ITEM NO | QTY REQD PER ASSY | PART NO | DESCRIPTION | ITEM NO |
| -1 | | LEADMAKER | AIRFEED | | | | |
| -2 | | BENCH MODEL K | AIRFEED | | | | |
| -3 | | BENCH MODEL G | AIRFEED | | | | |
| 1 | 1 | 1 | - | 21024-8 | WASHER,LOCK(3/8)FEED BRKT | | 70 |
| - | 1 | - | - | 692655-5 | AIR FEED VALVE ASSY | | 69 |
| 1 | 1 | 1 | - | 461690-1 | SPACER, AIR FEED | | 68 |
| - | REF | - | - | 24042-2 | VALVE, SHUT OFF | | 67 |
| - | REF | - | - | 692655-6 | AIR FEED VALVE ASSY | | 66 |
| 1 | 1 | 1 | - | 461065-2 | AIR FEED ASSY (2 INCH) | | 65 |
| 2 | 2 | 2 | - | 4-21000-3 | SCR,SHC(10-32x2.00)AIR ASSY | | 64 |
| | | | | | | | 63 |
| | | | | | | | 62 |
| | | | | | | | 61 |
| 1 | - | 1 | - | 692655-7 | AIR FEED VALVE ASSY | | 60 |
| 1 | 1 | 1 | - | 454220-1 | CAP, RAM | | 59 |
| 1 | 1 | 1 | - | 454485-1 | HOUSING | | 58 |
| | | | | | | | 57 |
| 1 | 1 | 1 | - | 4-694433-6 | PAWL, FEED | | 56 |
| | | | | | | | 55 |
| | | | | | | | 54 |
| 1 | 1 | 1 | - | 461062-1 | FEED FINGER ASSY | | 53 |
| | | | | | | | 52 |
| | | | | | | | 51 |
| | | | | | | | 50 |
| | | | | | | | 49 |
| | | | | | | | 48 |
| | | | | | | | 47 |
| | | | | | | | 46 |
| 1 | 1 | 1 | - | 690191-1 | PLUG, NYLON | | 45 |
| 1 | 1 | 1 | - | 1-819307-0 | RAM | | 44 |
| 1 | 1 | 1 | - | 690125-1 | WASHER, LAMINATED | | 43 |
| 1 | 1 | 1 | - | 690124-6 | WASHER, RAM | | 42 |
| 1 | 1 | 1 | - | 7-21002-9 | BOLT, CRIMPER(5/16x1.00) | | 41 |
| 1 | 1 | 1 | - | 23241-6 | BALL, STEEL | | 40 |
| 1 | 1 | 1 | - | 690170-1 | SPRING, COMPRESSION | | 39 |
| 1 | 1 | 1 | - | 690142-1 | DISC, INSULATION | | 38 |
| 1 | 1 | 1 | - | 354777-1 | WIRE DISC, PLASTIC | | 37 |
| 1 | 1 | 1 | - | 22480-5 | WASHER, SPRING | | 36 |
| 1 | 1 | 1 | - | 690212-1 | POST, RAM | | 35 |
| 1 | 1 | 1 | - | 690786-1 | SUPPORT, TERMINAL | | 34 |
| 1 | 1 | 1 | - | 455675-1 | PLATE, BASE | | 33 |
| 1 | 1 | 1 | - | 690432-3 | SCREW, ADJUSTMENT | | 32 |
| | | | | | | | 31 |
| 1 | 1 | 1 | - | 455689-1 | BLOCK, STRIP GUIDE ADJ | | 30 |
| 1 | 1 | 1 | - | 458144-1 | PLATE, STRIP GUIDE | | 29 |
| 1 | 1 | 1 | - | 2-455888-2 | SPACER, FRONT SHEAR DEP | | 28 |
| 2 | 2 | 2 | - | 1-22284-0 | SPRING, DRAG | | 27 |
| 1 | 1 | 1 | - | 356835-1 | LEVER, DRAG RELEASE | | 26 |
| 1 | 1 | 1 | - | 240792-1 | DRAG, TERMINAL | | 25 |
| 1 | 1 | 1 | - | 4-90765-5 | GUIDE, STRIP (REAR) | | 24 |
| 1 | 1 | 1 | - | 690438-1 | GUIDE, STRIP (FRONT) | | 23 |
| 1 | 1 | 1 | - | 1-456468-0 | STRIPPER | | 22 |
| | | | | | | | 21 |
| | | | | | | | 20 |
| | | | | | | | 19 |
| | | | | | | | 18 |
| | | | | | | | 17 |
| | | | | | | | 16 |
| | | | | | | | 15 |
| | | | | | | | 14 |
| | | | | | | | 13 |
| 1 | 1 | 1 | - | 3-22280-3 | SPRING, SHEAR | | 12 |
| 1 | 1 | 1 | - | 1-21000-9 | STOP, SHEAR | | 11 |
| 1 | 1 | 1 | - | 2-690459-3 | HOLDER, SHEAR (FRONT) | | 10 |
| 1 | 1 | 1 | - | 2-454276-4 | SHEAR, FLOAT (FRONT) | | 9 |
| 1 | 1 | 1 | - | 2-318088-5 | ANVIL | | 8 |
| | | | | | | | 7 |
| | | | | | | | 6 |
| 1 | 1 | 1 | - | 3-455889-9 | DEPRESSOR, SHEAR (FRONT) | | 5 |
| 1 | 1 | 1 | - | 238011-1 | SPACER, BLOCK CRIMPER | | 4 |
| 1 | 1 | 1 | - | 8-904741-4 | CRIMPER, INSULATION | | 3 |
| 1 | 1 | 1 | - | 1-455888-2 | SPACER, CRIMPER | | 2 |
| 1 | 1 | 1 | - | 4-1490019-3 | CRIMPER, WIRE | | 1 |

THIS DRAWING IS A CONTROLLED DOCUMENT.

| | | | | | | | |
|--------------------|--|-----------|-------------|-------------|-------------|------------|-------------|
| DIMENSIONS: INCHES | TOLERANCES UNLESS OTHERWISE SPECIFIED: | 0 PLC ± - | 1 PLC ± .01 | 2 PLC ± .02 | 3 PLC ± .05 | 4 PLC ± .1 | ANGLES ± .5 |
|--------------------|--|-----------|-------------|-------------|-------------|------------|-------------|

| | | | | | | |
|----------|--------|--------|------|-----------|------------|---------------|
| MATERIAL | FINISH | WEIGHT | SIZE | CAGE CODE | DRAWING NO | RESTRICTED TO |
| - | - | - | A1 | 00779 | 1852017 | - |

CUSTOMER DRAWING