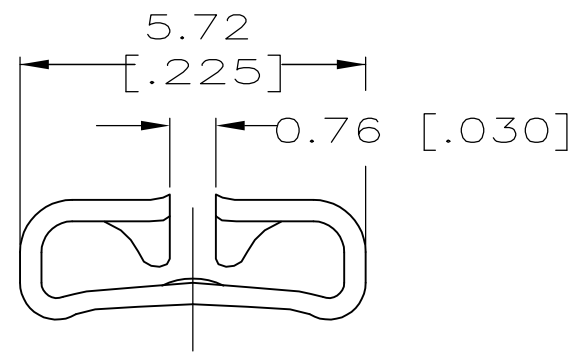
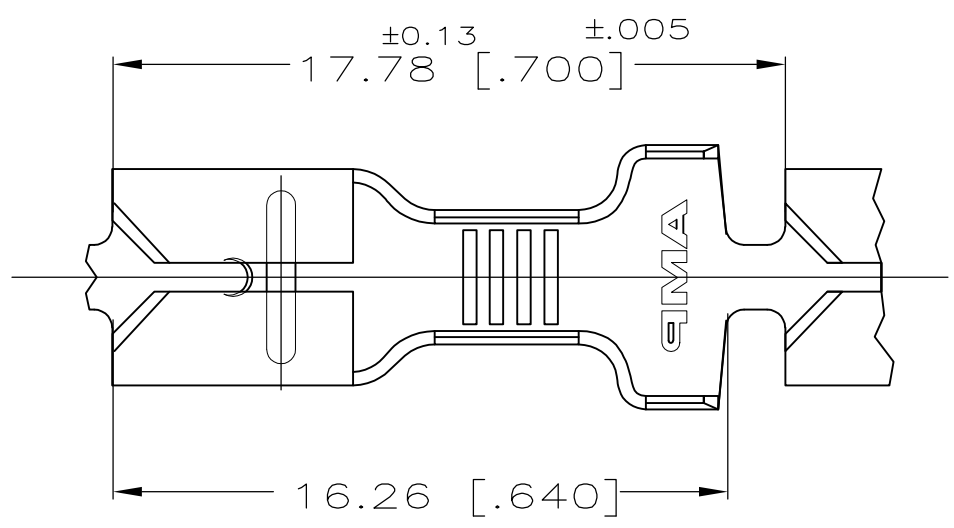
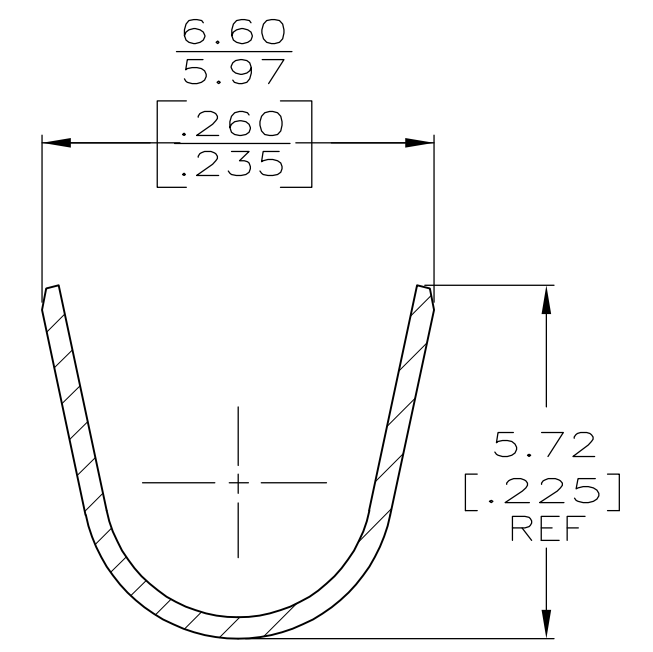
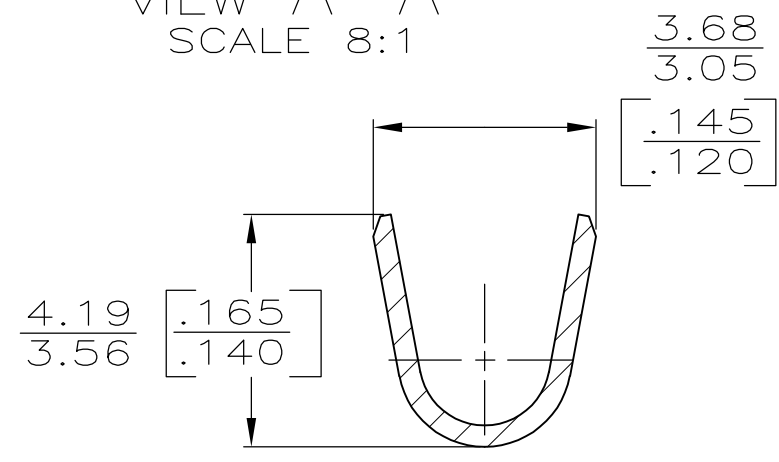
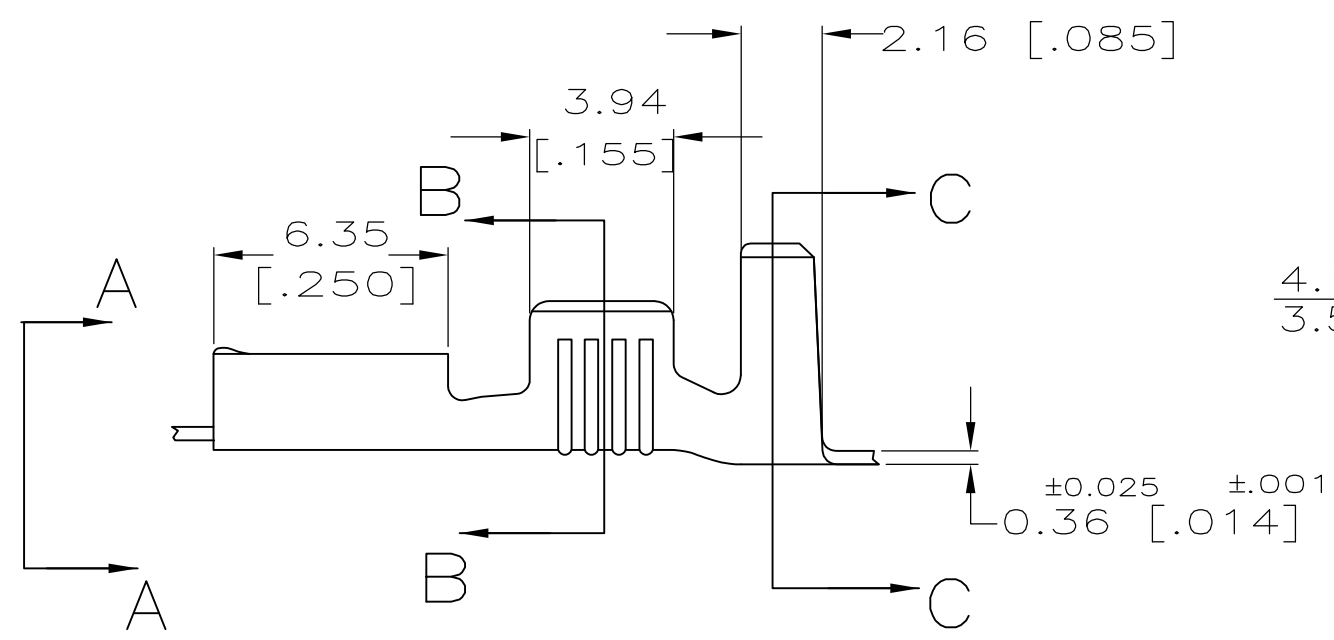


THIS DRAWING IS UNPUBLISHED. RELEASED FOR PUBLICATION  
 © COPYRIGHT - By - ALL RIGHTS RESERVED.

LOC	DIST	REVISIONS			
P	LTR	DESCRIPTION	DATE	DWN	APVD
AF	50				
	D	REVISED PER ECR-12-013518	23NOV2012	KH	PD



1 CONTINUOUS STRIP ON REELS.



3.81-4.83 DIA [.150-.190] DIA	0.8-2.0mm <sup>2</sup> [#18-14]AWG	0.81 [.032]	63697-1
INSUL RANGE	WIRE SIZE	MATING TAB THK±0.025 [.001]	PART NO

THIS DRAWING IS A CONTROLLED DOCUMENT.		DWN JR RUTH 2/19/93	TE Connectivity	
DIMENSIONS: mm [INCHES]		CHK MS FEHER 2/19/93		
TOLERANCES UNLESS OTHERWISE SPECIFIED:		APVD C MEYERS 2/19/93	NAME RECEPTACLE, FASTON, <sup>TM</sup> 4.75 [.187] SERIES	
0 PLC ± - 1 PLC ± - 2 PLC ± 0.25 [.010] 3 PLC ± - 4 PLC ± - ANGLES ± -		PRODUCT SPEC -	RESTRICTED TO -	
MATERIAL BRASS		FINISH PRE-TIN	APPLICATION SPEC 114-2036	SIZE A3
			WEIGHT -	CAGE CODE 00779
			DRAWING NO C-63697	
		CUSTOMER DRAWING		SCALE 5:1
				SHEET 1 OF 1
				REV D