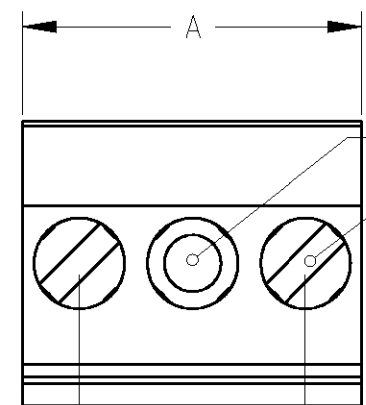


THIS DRAWING IS UNPUBLISHED. RELEASED FOR PUBLICATION 20
 © COPYRIGHT 20 BY TYCO ELECTRONICS CORPORATION. ALL RIGHTS RESERVED.

LOC	DIST	REVISIONS			
P	LTR	DESCRIPTION	DATE	DWN	APVD
FT	0	B	REVISED PER 0G3B-0119-01	03JAN2002	EZ DB



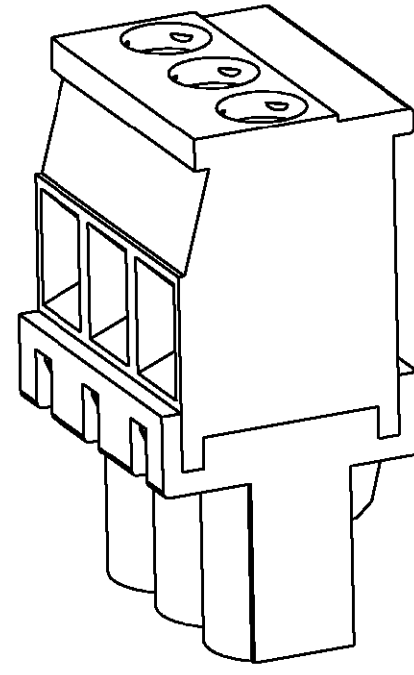
CLOGGED CAVITY
 CLAMPING SCREW

1 MATERIALS AND FINISH
 HOUSING: PA 6-6, UL 94-V0, COLOR GREEN.
 CLAMP: BRASS, NICKEL PLATED.
 DOUBLE SIDE CONTACT SPRING : PHOSPHOR BRONZE, TIN PLATED.
 CLAMPING SCREW: M3, BRASS, NICKEL PLATED.

2 WIRE SIZE RANGE:
 12 - 30 AWG

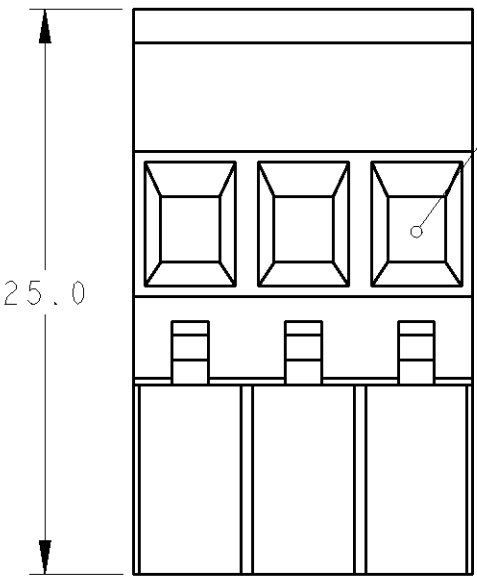
3 NOT CUMULATIVE TOLERANCE.

2.5 REF
 10.0±0.1

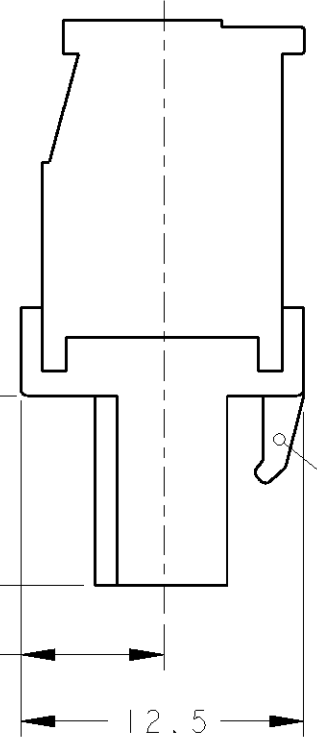


284044-2 AS SHOWN

DIM. A	N° OF POS.	PART NUMBER
125	13	1-284044-3
115	12	1-284044-2
105	11	1-284044-1
95	10	1-284044-0
85	9	284044-9
75	8	284044-8
65	7	284044-7
55	6	284044-6
45	5	284044-5
35	4	284044-4
25	3	284044-3
15	2	284044-2

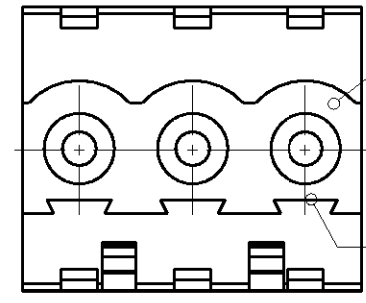


WIRE ENTRY



RETENTION LATCH

6.25 REF



MATING FACE

POLARIZATION KEY SLOT

THIS DRAWING IS A CONTROLLED DOCUMENT FOR TYCO ELECTRONICS CORPORATION
 IT IS SUBJECT TO CHANGE AND THE CONTROLLING ENGINEERING ORGANIZATION
 SHOULD BE CONTACTED FOR THE LATEST REVISION.

DIMENSIONS:	TOLERANCES UNLESS OTHERWISE SPECIFIED:
mm	
	0 PLC ±-
	1 PLC ±.3
	2 PLC ±.25
	3 PLC ±-
	4 PLC ±-
	ANGLES ±2
MATERIAL	FINISH

DWN	03JAN2002
E. ZANOLINI	
CHK	03JAN2002
E. ZANOLINI	
APVD	03JAN2002
D. BIEVENOUR	
PRODUCT SPEC	-
APPLICATION SPEC	-
WEIGHT	-
CUSTOMER DRAWING	

BUCHANAN		Tyco Electronics Harrisburg, PA 17105-3608	
NAME TERMINAL BLOCK VERTICAL PLUG STACKING LEFT HAND 10.0mm PITCH			
SIZE	CAGE CODE	DRAWING NO	RESTRICTED TO
A3	00779	284044	-
SCALE 3:1		SHEET 1 OF 1	REV B