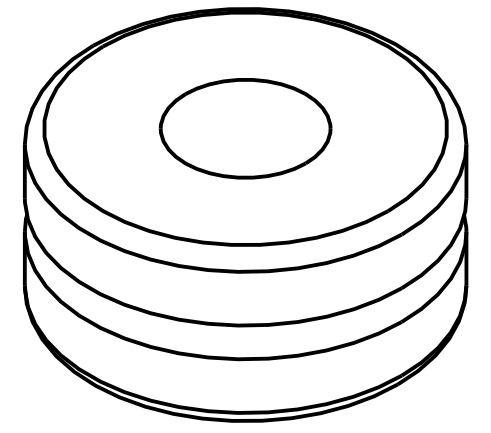
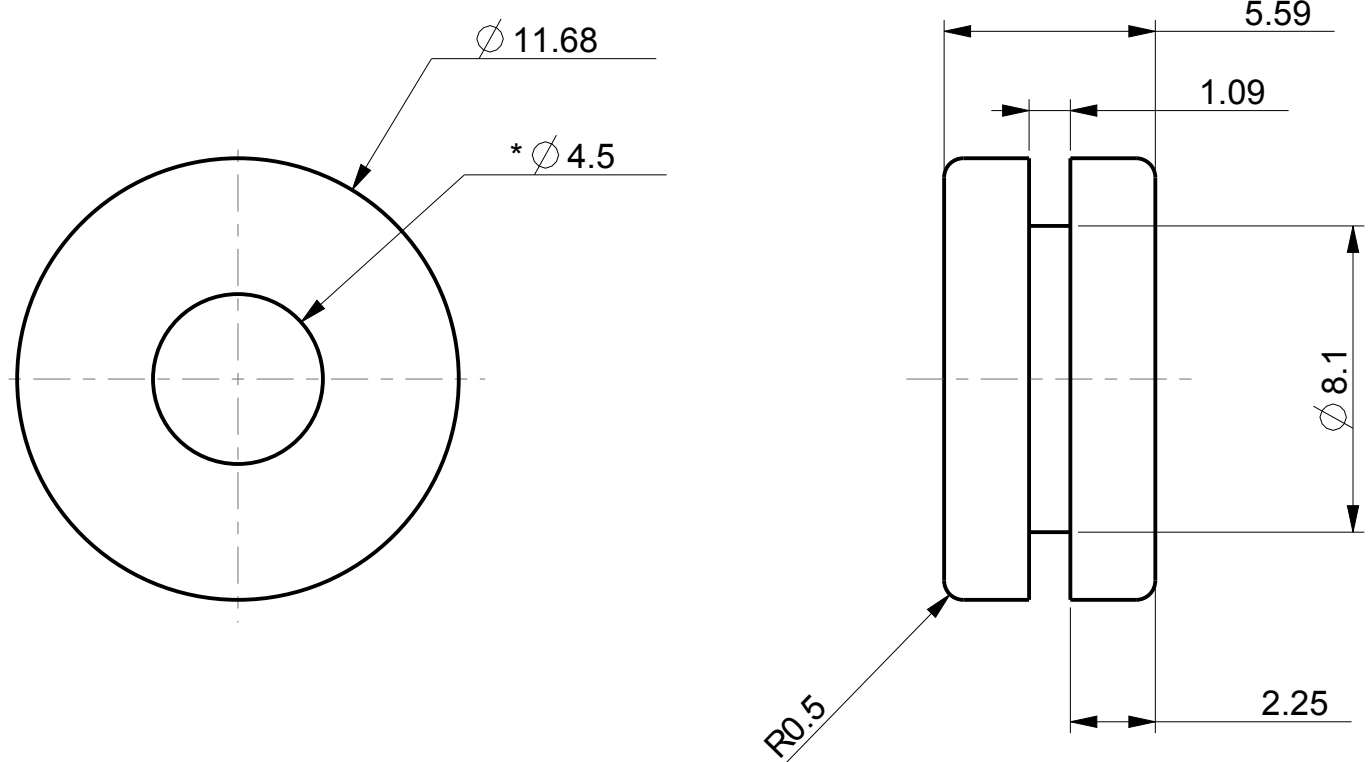




REVISIONS				
DRAWN	REV	DESCRIPTION	DATE	APPROVED
-	00	ORIGINAL	6-5-98	DC
TC	01	UPDATED FORMAT, ADDED NEW MATERIALS	4-26-11	MS



- 3. MAX DRAFT: 2°
- 2. CRITICAL DIMENSIONS SHALL HAVE Cpk VALUE >= 1.33 WITH ONGOING SPC DATA REQUIRED.
- 1. CRITICAL DIMENSIONS ARE MARKED WITH "**".

NOTES:

G-506-3	C-1100
G-506-2	C-1105
G-506-1	C-1002
G-506-C8002	C-8002
G-506-C8001	C-8001
G-506-C8012	C-8012
PART NUMBER	MATERIAL

RANGE	TOL
0<DIM<=2	± 0.15
2<DIM<=25	± 0.25
25<DIM<=50	± 0.4
50<DIM	± 0.6

UNLESS OTHERWISE SPECIFIED UNITS ARE: MM [IN] TOLERANCE FOR ANGLES: ±0.0°	MATERIAL: SEE TABLE ON LEFT	AEARO TECHNOLOGIES LLC * a 3M company		
	ALLOWABLE FLASH: .12 MM	QUALITY CONTROL: MUST COMPLY WITH E-A-R SPECIALTY COMPOSITES SUPPLIER QUALITY MANUAL REQUIREMENTS	TITLE GROMMET, NON-RIBBED - SYMMETRIC	
GATE: ±.15 MM	NOTES: ANY FEATURE NOT DIMENSIONED IN PRINT MUST BE VISIBLY PRESENT, UTILIZE 3D CAD FOR CREATION	SIZE B	DRAWING NO. G-506-X	PAGE NO. 1 OF 1

1

2

3

4

D

C

B

A

D

C

B

A