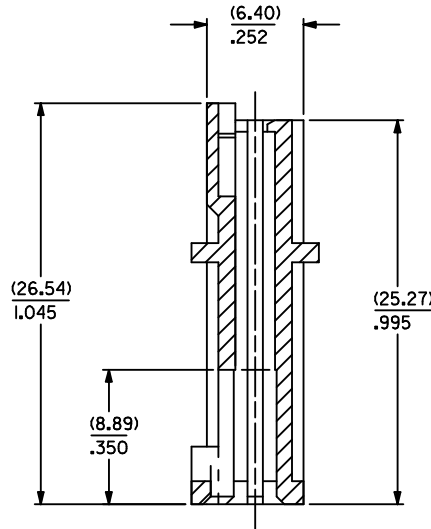
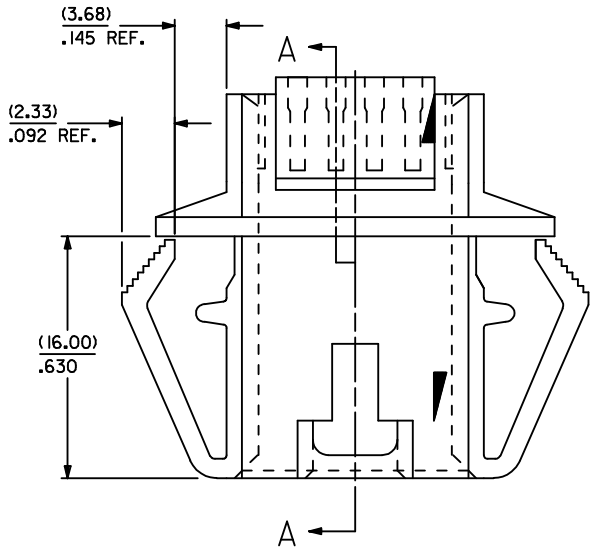
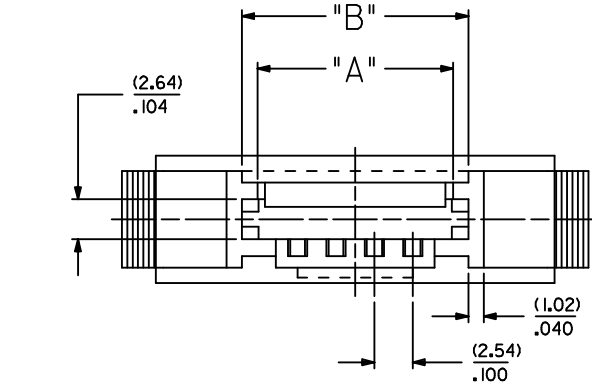


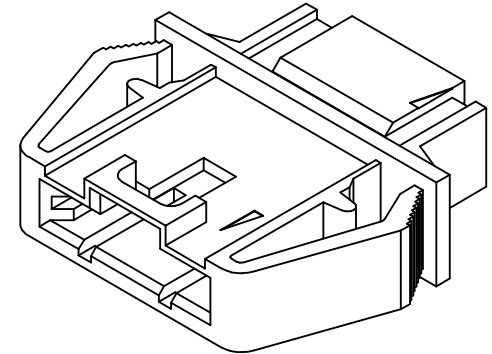
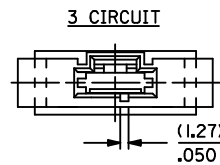
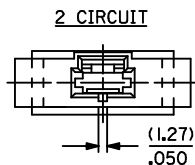
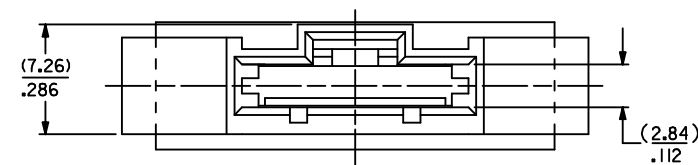
NOTES :

- 1) MATERIAL : POLYESTER, 94V-0
COLOR : BLACK
- 2) SEE CHART FOR CIRCUIT SIZES .
- 3) HOUSING TO BE USED WITH 70400 SERIES HOUSING (OPTION "G" & OPTION "D").
- 4) PANEL THICKNESS (0.81)/.032 - (2.36)/.093
- 5) SEE SHEET 2 FOR MOUNTING HOLE DIMENSIONS .
- 6) PACKAGE PER PK-70018-100.

| CKT. NO. | EDP. NO. | ENG. NO. | DIM. A | DIM. B |
|----------|------------|------------|------------------|------------------|
| 2 | 50-65-0202 | 70018-0001 | (5.21) .205 | (7.37) .290 |
| 3 | 50-65-0203 | 70018-0002 | (7.75) .305 | (9.91) .390 |
| 4 | 50-65-0204 | 70018-0003 | (10.29) .405 | (12.45) .490 |
| 5 | 50-65-0205 | 70018-0004 | (12.83) .505 | (14.99) .590 |
| 6 | 50-65-0206 | 70018-0005 | (15.37) .605 | (17.53) .690 |
| 7 | 50-65-0207 | 70018-0006 | (17.91) .705 | (20.07) .790 |
| 8 | 50-65-0208 | 70018-0007 | (20.45) .805 | (22.61) .890 |
| 9 | 50-65-0209 | 70018-0008 | (22.99) .905 | (25.15) .990 |
| 10 | 50-65-0210 | 70018-0009 | (25.53) 1.005 | (27.69) 1.090 |
| 11 | 50-65-0211 | 70018-0010 | (28.07) 1.105 | (30.23) 1.190 |
| 12 | 50-65-0212 | 70018-0011 | (30.61) 1.205 | (32.77) 1.290 |
| 13 | 50-65-0213 | 70018-0012 | (33.15) 1.305 | (35.31) 1.390 |
| 14 | 50-65-0214 | 70018-0013 | (35.69) 1.405 | (37.89) 1.490 |
| 15 | 50-65-0215 | 70018-0014 | (38.23) 1.505 | (40.39) 1.590 |
| 16 | 50-65-0216 | 70018-0015 | (40.77) 1.605 | (42.93) 1.690 |
| 17 | 50-65-0217 | 70018-0016 | (43.31) 1.705 | (45.47) 1.790 |
| 18 | 50-65-0218 | 70018-0017 | (45.85) 1.805 | (48.01) 1.890 |
| 19 | 50-65-0219 | 70018-0018 | (48.39) 1.905 | (50.55) 1.990 |
| 20 | 50-65-0220 | 70018-0019 | (50.93) 2.005 | (53.09) 2.090 |
| 21 | 50-65-0221 | 70018-0020 | (53.47) 2.105 | (55.63) 2.190 |
| 22 | 50-65-0222 | 70018-0021 | (56.01) 2.205 | (58.17) 2.290 |
| 23 | 50-65-0223 | 70018-0022 | (58.55) 2.305 | (60.71) 2.390 |
| 24 | 50-65-0224 | 70018-0023 | (61.09) 2.405 | (63.25) 2.490 |
| 25 | 50-65-0225 | 70018-0024 | (63.63) 2.505 | (65.79) 2.590 |

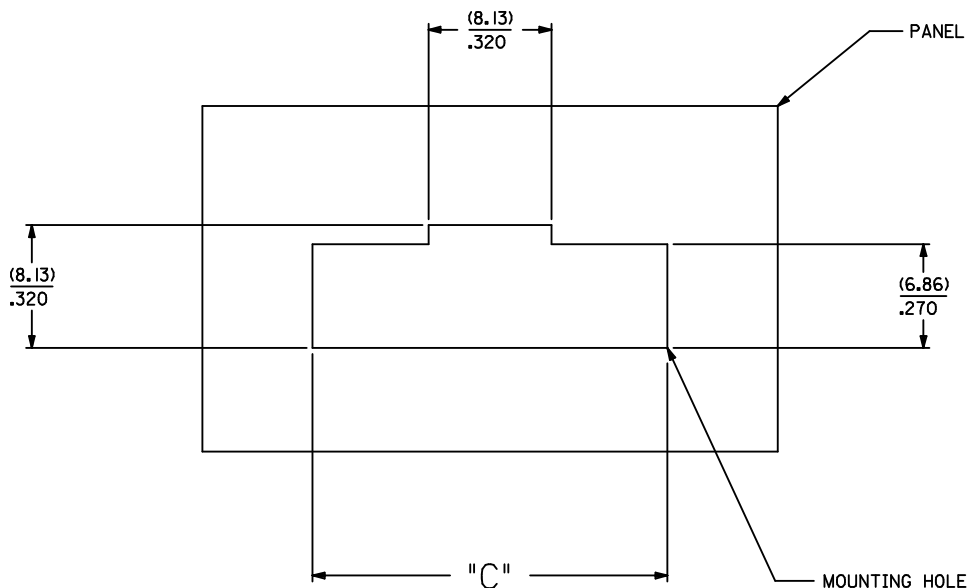


SECTION A-A



| | | | | | | | | |
|---|-------------------------------|---|-------------------|--------------------------|---|------------------------------------|------------------------|--|
| REVISE EC NO: UCP2008-0711 DRWNG: MORGAN 2007/10/02 CHKD: MSTRIBARRA 2007/10/09 APPR: SMILLER 2007/10/10 M | QUALITY SYMBOLS ▽=0 ▽=0 | GENERAL TOLERANCES (UNLESS SPECIFIED) | | DIMENSION STYLE MM/IN | SCALE INCH | DESIGN UNITS INCH | THIRD ANGLE PROJECTION | |
| | | 4 PLACES ± --- ± --- 3 PLACES ± --- ± .010 2 PLACES ± 0.25 ± .014 1 PLACE ± 0.35 ± --- | DRAWN BY ME | DATE 1984/04/10 | TITLE HOUSING PANEL MOUNT (OPTION "G" HOUSING TO OPTION "D" HOUSING) | | | |
| | | ANGULAR ± 1/2° | CHECKED BY WZ | DATE 1984/04/10 | MOLEX INCORPORATED | | | |
| | | DRAFT WHERE APPLICABLE MUST REMAIN WITHIN DIMENSIONS | APPROVED BY RL | DATE 1984/04/10 | MATERIAL NO. SEE CHART | DOCUMENT NO. SD-70018-0001-0024 | SHEET NO. 1 OF 2 | |

THIS DRAWING CONTAINS INFORMATION THAT IS PROPRIETARY TO MOLEX INCORPORATED AND SHOULD NOT BE USED WITHOUT WRITTEN PERMISSION



RECOMMENDED MOUNTING HOLE LAYOUT

| CKT. NO. | EDP. NO. | ENG. NO. | DIM. C |
|----------|------------|-------------|------------------|
| 2 | 50-65-0202 | 700 18-0001 | (15.87) .625 |
| 3 | 50-65-0203 | 700 18-0002 | (18.41) .725 |
| 4 | 50-65-0204 | 700 18-0003 | (20.95) .825 |
| 5 | 50-65-0205 | 700 18-0004 | (23.49) .925 |
| 6 | 50-65-0206 | 700 18-0005 | (26.03) 1.025 |
| 7 | 50-65-0207 | 700 18-0006 | (28.57) 1.125 |
| 8 | 50-65-0208 | 700 18-0007 | (31.11) 1.225 |
| 9 | 50-65-0209 | 700 18-0008 | (33.65) 1.325 |
| 10 | 50-65-0210 | 700 18-0009 | (36.19) 1.425 |
| 11 | 50-65-0211 | 700 18-0010 | (38.73) 1.525 |
| 12 | 50-65-0212 | 700 18-0011 | (41.27) 1.625 |
| 13 | 50-65-0213 | 700 18-0012 | (43.81) 1.725 |
| 14 | 50-65-0214 | 700 18-0013 | (46.35) 1.825 |
| 15 | 50-65-0215 | 700 18-0014 | (48.89) 1.925 |
| 16 | 50-65-0216 | 700 18-0015 | (51.43) 2.025 |
| 17 | 50-65-0217 | 700 18-0016 | (53.97) 2.125 |
| 18 | 50-65-0218 | 700 18-0017 | (56.51) 2.225 |
| 19 | 50-65-0219 | 700 18-0018 | (59.05) 2.325 |
| 20 | 50-65-0220 | 700 18-0019 | (61.59) 2.425 |
| 21 | 50-65-0221 | 700 18-0020 | (64.13) 2.525 |
| 22 | 50-65-0222 | 700 18-0021 | (66.67) 2.625 |
| 23 | 50-65-0223 | 700 18-0022 | (69.21) 2.725 |
| 24 | 50-65-0224 | 700 18-0023 | (71.75) 2.825 |
| 25 | 50-65-0225 | 700 18-0024 | (74.29) 2.925 |

| | | | | | | | | | |
|---|--------------------------------------|---|--|--|---------------------|-----------------------------|---|--|----------------------------|
| REVISE EC NO: UCP2008-0711 DRAWN:MORGAN 2007/10/02 CHKD:MSIBARRA 2007/10/09 APPR:SMILLER 2007/10/10 M | QUALITY SYMBOLS ▽=0 ▽=0 | GENERAL TOLERANCES (UNLESS SPECIFIED) | | DIMENSION STYLE MM/IN | SCALE 4:1 | DESIGN UNITS INCH | THIRD ANGLE PROJECTION | | |
| | | 4 PLACES ± --- ± --- 3 PLACES ± --- ± .010 2 PLACES ± 0.25 ± .014 1 PLACE ± 0.35 ± --- | DRAWN BY ME DATE 1984/04/10 CHECKED BY WZ DATE 1984/04/10 APPROVED BY RL DATE 1984/04/10 | TITLE HOUSING PANEL MOUNT (OPTION "G" HOUSING TO OPTION "D" HOUSING) | | | | | |
| | | ANGULAR ±1/2° | | MATERIAL NO. SEE CHART | | | DOCUMENT NO. SD-70018-0001-0024 | | SHEET NO. 2 OF 2 |
| | | DRAFT WHERE APPLICABLE MUST REMAIN WITHIN DIMENSIONS | | THIS DRAWING CONTAINS INFORMATION THAT IS PROPRIETARY TO MOLEX INCORPORATED AND SHOULD NOT BE USED WITHOUT WRITTEN PERMISSION | | | | | |