

DESCRIPTION: M8 FEMALE - CABLE MOUNT - SOLDER CUP - 6 POS.

UNITS = INCHES [MM]

NOTE:

MATERIAL

HOUSING:	PBT UL94V-0, BLACK
CONTACT:	BRASS
NUT:	BRASS
GROUND:	BRASS
O-RING:	NBR, BLACK
FINISH	
CONTACT:	GOLD PLATED OVER 50 $\mu$ " NICKEL
NUT:	NICKEL PLATED
GROUND:	BRIGHT TIN (60 $\mu$ )

ELECTRICAL

RATED CURRENT:	3A
RATED VOLTAGE:	125V
INSULATION RESISTANCE:	1000 M $\Omega$ hms MIN.
CONTACT RESISTANCE:	10 m $\Omega$ hms MAX.
WATER PROOF:	IP67

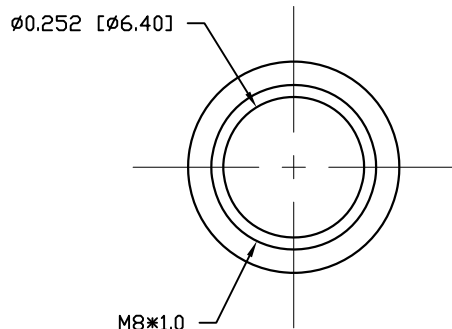
ENVIRONMENT

OPERATION TEMPERATURE: -40°C TO +85°C

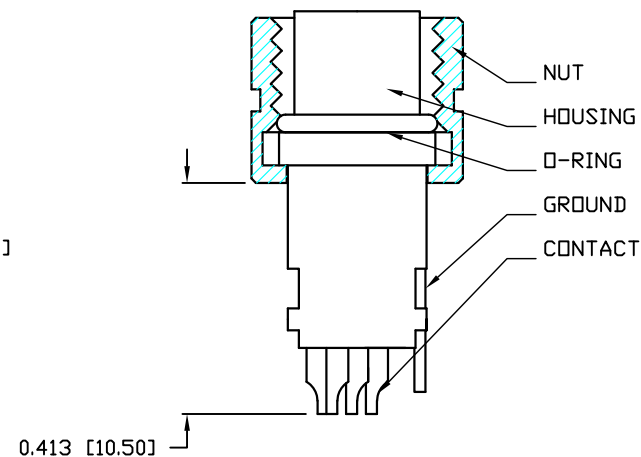
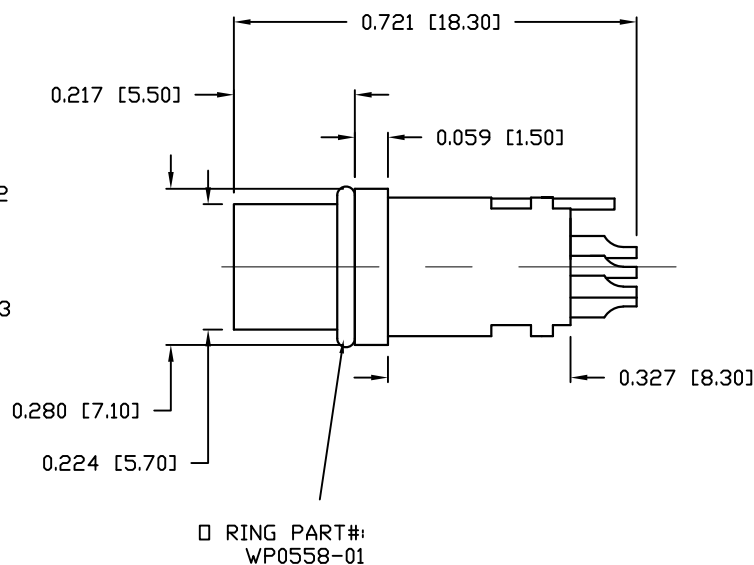
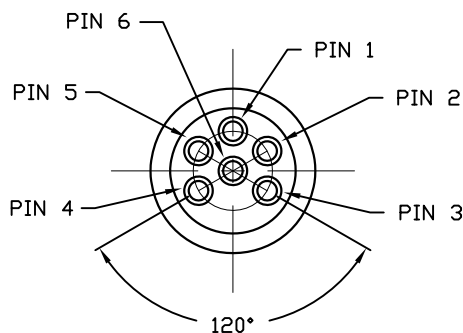
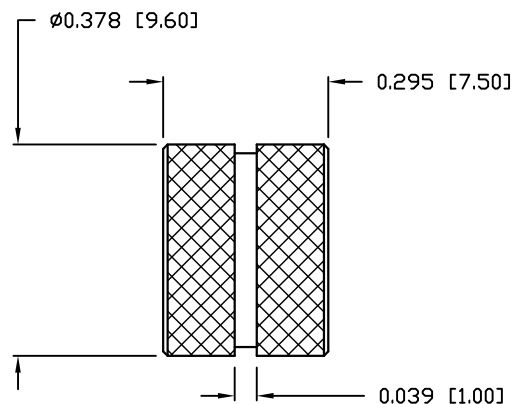
MAX MATING TORQUE: 4-5 in lbs

854-006-203RLSY

1 = GOLD FLASH  
4 = 10 $\mu$ " GOLD



NUT



RoHS COMPLIANT

DO NOT SCALE FROM DRAWING



THESE DRAWINGS AND SPECIFICATIONS ARE THE PROPERTY OF NorComp AND SHALL NOT BE REPRODUCED, COPIED OR USED AS THE BASIS FOR THE MANUFACTURE OR SALE OF APPARATUS WITHOUT WRITTEN PERMISSION.

DRAWN: M. SIGMON

DATE: 03-04-16

CHECKED:

DATE:

NorComp

SCALE: N.T.S.

SHEET 1 OF 1

REV 4

DWG NO. 854-006-203RLSY