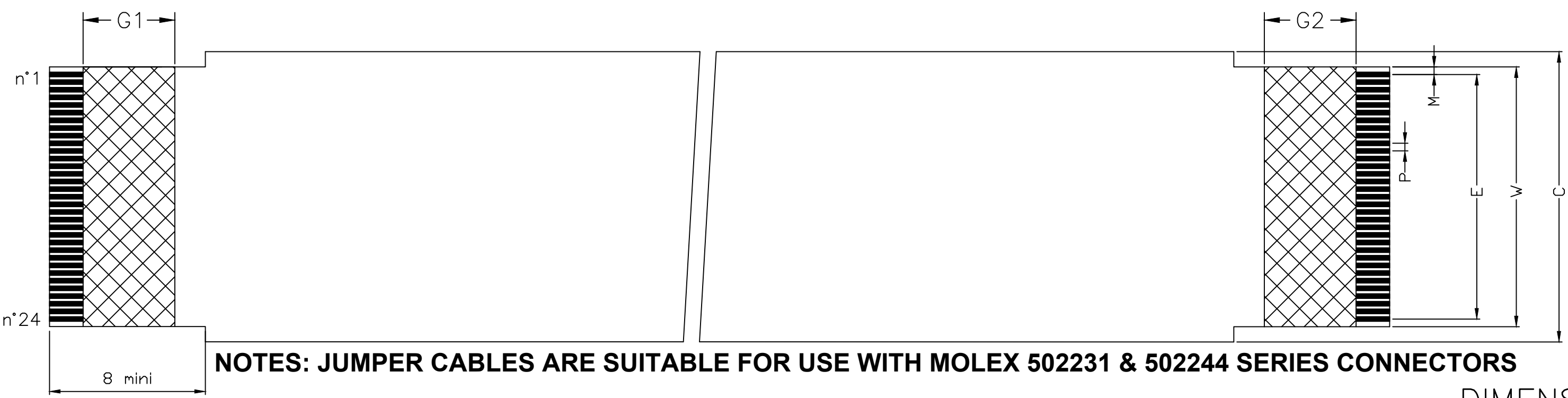
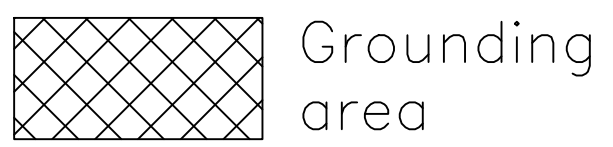


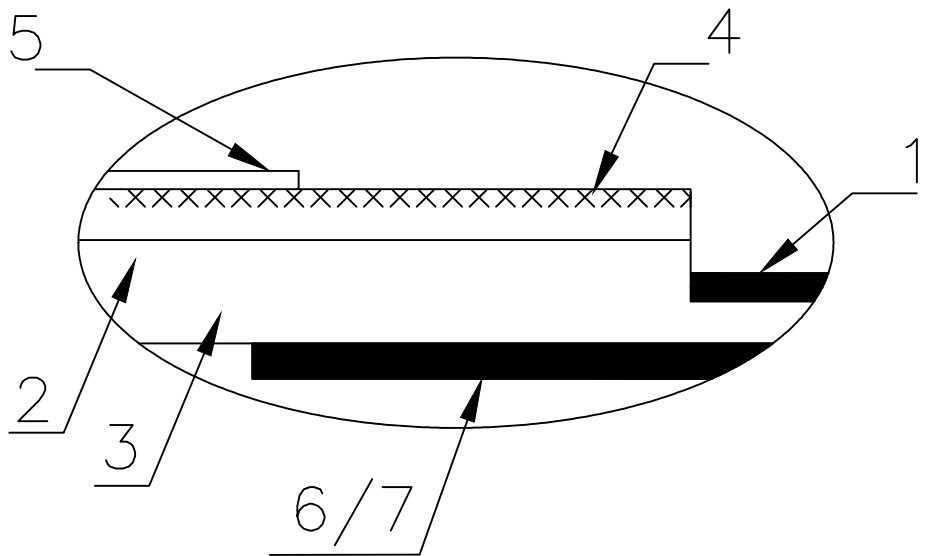
PART NO.	CKTS	LENGTH
15021-0224	24	2"
15021-0424	24	4"
15021-0624	24	6"
15021-0824	24	8"
15021-1024	24	10"
15021-1224	24	12"
15021-2424	24	24"



**NOTES: JUMPER CABLES ARE SUITABLE FOR USE WITH MOLEX 502231 & 502244 SERIES CONNECTORS**

**COMPOSITION:**

Item	COMPONENTS	UNITS	SPECIFICATIONS
1	Conductor	Material	Gold plated contacts (0.3µm Ni/0.05µm Au min)
		Width	mm 0.23 mm nominal
		Thickness	mm 0.055 mm nominal
2	Insulation tape	Material	Polyester+flame retardant adhesive insulation
		Thickness	mm 0.100 mm nominal
3	Insulation tape	Material	Polyester+flame retardant adhesive insulation
		Thickness	mm 0.100 mm nominal
4	Aluminum tape	Material	Polyester/Aluminium/Adhesive
		Thickness	mm 0.119 mm nominal
5	Insulation tape	Material	Polyester + FR adhesive insulation
		Thickness	mm 0.043 mm nominal
6,7	Reinforcement Tape	Material	Blue Polyester
		Thickness	mm 0.155 mm nominal



**DIMENSIONS**

ITEMS	REP.	NOMINAL
Number of conductors		24(=28-4)
Pitch	P	0.50 ± 0.05
Span	E	11.50 ± 0.05
Width	W	12.50 ± 0.07
Total end Width	C	14.50 ± 0.15
Margin	M	0.50 ± 0.08
Strip length	S1/S2	2.2 ± 0.5
Grounding length	G1/G2	6 ± 2
End thickness	T	0.30 ± 0.05
Reinforcement length	F1/F2	7.0 ± 1.5
Thickness grounding area	A	0.50 ± 0.05

**CHARACTERISTICS**

ITEMS	VALUE	TEST METHOD
Resistance of conductor at 20°C	1950 Ohm/km maxi	-
Insulation resistance (Conductor to conductor)	10 MOhm.m mini	200 V DC
Dielectric test (Conductor to conductor)	1 minute	200 V AC
Temperature rating	-40°C to 80°C	UL2896
Voltage rating	30 V AC maxi	
Flame resistance	VW-1	UL758
Differential impedance	100 Ω ± 10 Ω	-
Speed L:2"-10"	5-10 Gigabits/sec	-
Speed L:12"-24"	2-5 Gigabits/sec	-

DIMENSIONAL TOLERANCES		DIMENSIONAL TOLERANCES	
45 mm TO 60 mm	±2 mm	1.772 TO 2.400	±0.079
61 mm TO 100 mm	±3 mm	2.401 TO 3.975	±0.119
101 mm TO 200 mm	±4 mm	3.946 TO 7.912	±0.157
201 mm TO 1500 mm	±5 mm	7.913 TO 59.055	±0.197

INITIAL RELEASE EC NO: USW2016-0198 DRWN: MD 2016/02/24	DESCRIPTION REV	QUALITY SYMBOL	GENERAL TOLERANCES (UNLESS SPECIFIED)		DIMENSION STYLE INCH [MM]		SCALE NONE	DESIGN UNITS METRIC	THIRD ANGLE PROJECTION		
		▽=0	mm	INCH	DRAWN BY MDIGGIKA	DATE 2016/02/25	TITLE LVDS CKTS 24				
		∇=0	4 PLACES ±---	±---	CHECKED BY	DATE					
			3 PLACES ±---	±---	APPROVED BY		DATE				
			2 PLACES ±---	±---	MATERIAL NO. SEE CHART		DOCUMENT NO. SD-15021-024	SHEET NO. 1 OF 1			
	1 PLACE ±---	±---	ANGULAR ±1°		Molex MOLEX INCORPORATED						
DRAFT WHERE APPLICABLE MUST REMAIN WITHIN DIMENSIONS			THIS DRAWING CONTAINS INFORMATION THAT IS PROPRIETARY TO MOLEX INCORPORATED AND SHOULD NOT BE USED WITHOUT WRITTEN PERMISSION								