

PRODUCT NUMBER	PITCH
H5xx30x100J0G	3.81 mm

Dimension

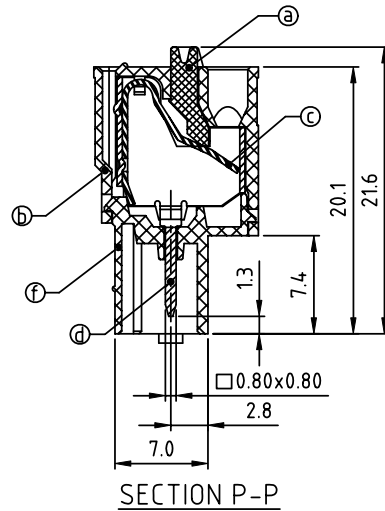
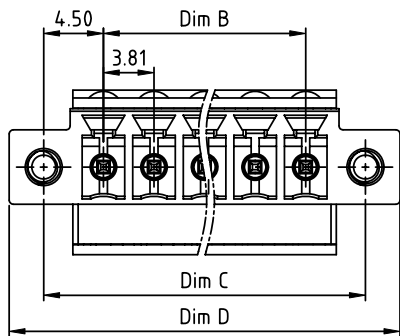
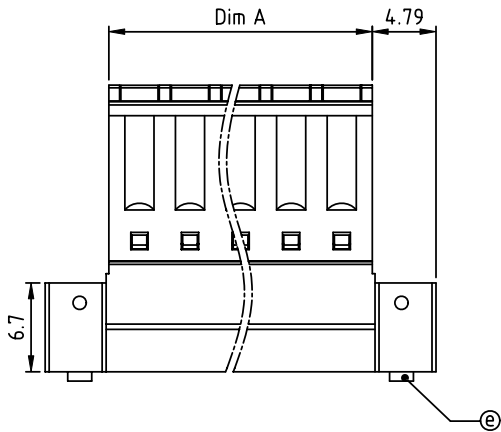
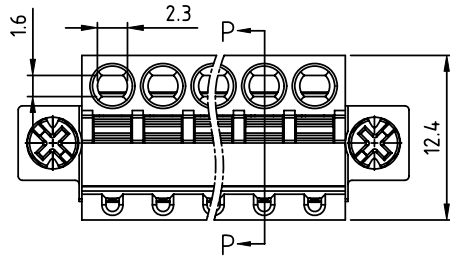
DIM A	$N \times 3.81 + 0.8$
DIM B	$(N-1) \times 3.81$
DIM C	$(N-1) \times 3.81 + 9.0$
DIM D	$N \times 3.81 + 10.4$

N=Number of poles

POLES	Dim A&Dim B	Dim C&Dim D
2p-6p	$\pm 0.10$	$\pm 0.15$
7p-12p	$\pm 0.15$	$\pm 0.20$
13p-18p	$\pm 0.20$	$\pm 0.30$
19p-24p	$\pm 0.30$	$\pm 0.40$

PART NO.: H5 xx 3 0 x 1 00J0 G

Solid block	Color	RoHS compliant
No. of poles	0 Black (RAL9005)	(lead<4%)
02 2 poles	2 Red (RAL3001/D)	In copper Alloy
03 3 poles	3 Orange(RAL2011/P)	
...	4 Yellow(RAL1018/A)	
24 24 poles	5 Green(RAL6018/T)	
	6 Blue (RAL5015/A)	
	8 Grey(RAL7035/D)	
	9 White(RAL1102)	
	C Green(RAL6018/U)	



Material:

- ItemⒶ Terminal lever: Thermoplastic (UL94V-0) Orange (RAL2001/P)
- ItemⒷ Top body: Thermoplastic (UL94V-0)
- ItemⒸ Spring clamp: Stainless steel
- ItemⒹ Male contact pin: Phbz.Tin plated
- ItemⒺ Flange screw: M2.5 Steel Zinc plated
- ItemⒻ Bottom body: Thermoplastic (UL94V-0)

Electrical:

- Voltage rating: 300V
- Current rating: 4A
- Wire range:
- Solid wire(AWG): 16-28
- Stranded wire(AWG): 16-28
- Wire strip length: 9-10 mm
- Withstanding Voltage: 1.6 KV
- Operating temperature: -40°C to +115°C
- Safety Approval: cULus

mat'l. code		surface ASME Y14.5 ✓	tolerance ASME Y14.5	projection MM	product family TERMINAL BLOCK
ltr	ecn no	dr	date		title TERMINAL BLOCK SPRING CLAMP, PLUGGABLE PLUG MALE CONNECTOR, FLANGE WITH SCREW
tolerances unless otherwise specified					
angles		X.±0.5			dwg no H5xx30x100J0G sheet 1 of 1 size A4
X°±1'		X.X±0.3			
		X.XX±0.1			
dr	ENGR	EVIN ZHONG	051614	type CUSTOMER Drawing	
	enr	EVIN ZHONG	051614		
	chr	HANKE FENG	051614		
	appd	SHI JUN	051614		
sheet index	revision sheet	A	1		