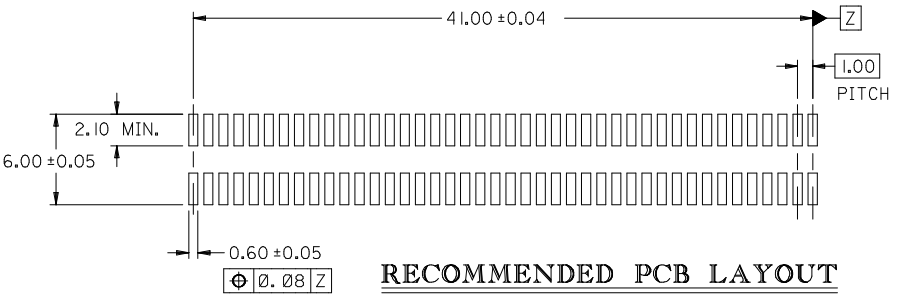
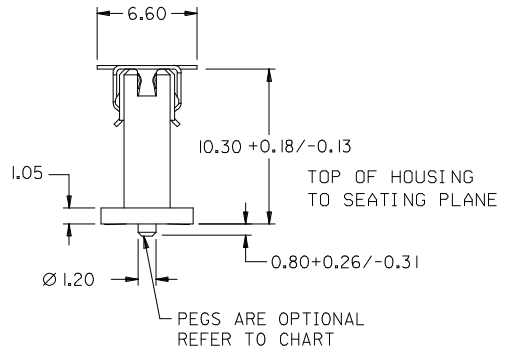
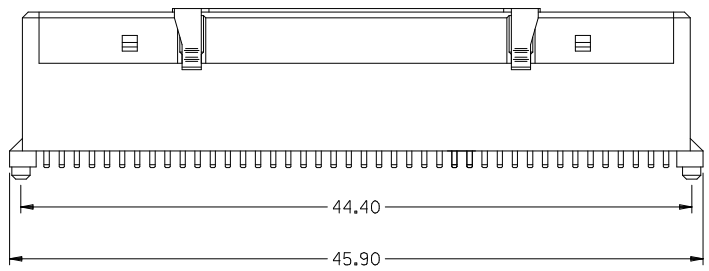
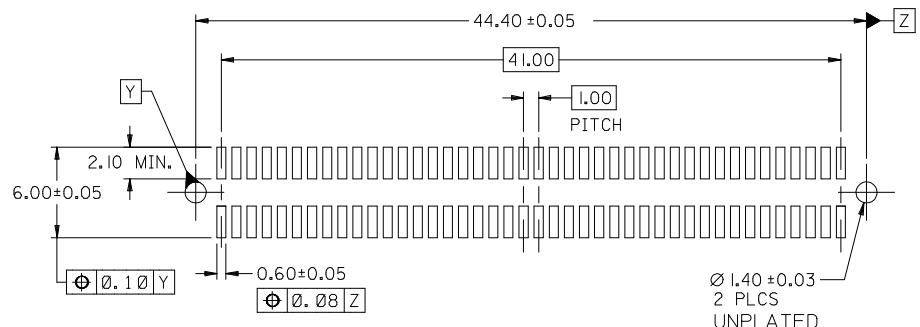


71742-3004	0.76 (30 MICROINCH)	YES	YES	PK-70873-063	TAPE & REEL
71742-3003	0.25 (10 MICROINCH)	YES	YES	PK-70873-063	TAPE & REEL
71742-3001	0.25 (10 MICROINCH)	NO	YES	PK-70873-063	TAPE & REEL
ITEM NUMBER	CONTACT AREA PLATING MINIMUM GOLD THICKNESS IN MICROMETERS (SEE NOTES FOR OTHER PLATINGS)	PEGS	PICK & PLACE CAP	PACKAGING SPEC. NUMBER	PACKAGING TYPE



**RECOMMENDED PCB LAYOUT**  
RECOMMENDED PCB THICKNESS: 1.0±0.1mm MIN.



**RECOMMENDED PCB LAYOUT WITH PEGS**  
RECOMMENDED PCB THICKNESS: 1.0±0.1mm MIN.

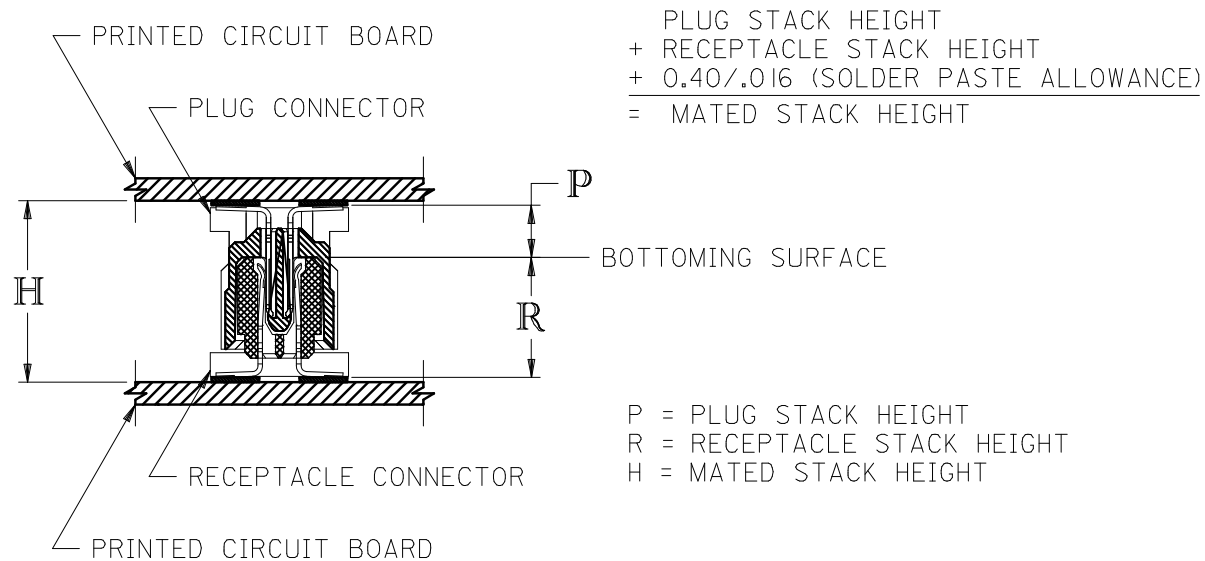
**NOTES:**

- HOUSING MATERIAL: GLASS FILLED LIQUID CRYSTAL POLYMER (LCP);  
UL RATING: 94V-0; COLOR: WHITE (NATURAL).  
TERMINAL MATERIAL: PHOSPHOR BRONZE.  
VACUUM CAP MATERIAL: STAINLESS STEEL.
- CONTACT FINISH:  
SEE TABLE FOR THICKNESS OF GOLD PLATING IN CONTACT AREA,  
1.90 MICROMETER MINIMUM TIN PLATING IN SOLDER TAIL AREA,  
OVER NICKEL PLATING OVERALL.
- THIS PART CONFORMS TO MOLEX PRODUCT SPECIFICATION PS-71741-9999.
- DIMENSIONS ARE IN MILLIMETERS.
- PACKAGING SPECIFICATIONS: REFER TO CHART.

<b>CLARIFY DIMENSIONS</b> EC NO: UCP2009-2408 DRW:BBARKER 2009/04/20 CHKD:JMORGAN 2009/04/20 APPR:SMILLER 2009/04/21	QUALITY SYMBOLS ▽=0 ▽=0	GENERAL TOLERANCES (UNLESS SPECIFIED) <table border="1"> <tr> <th></th> <th>mm</th> <th>INCH</th> </tr> <tr> <td>4 PLACES</td> <td>± ---</td> <td>± ---</td> </tr> <tr> <td>3 PLACES</td> <td>± ---</td> <td>± ---</td> </tr> <tr> <td>2 PLACES</td> <td>± 0.13</td> <td>± ---</td> </tr> <tr> <td>1 PLACE</td> <td>± 0.25</td> <td>± ---</td> </tr> </table>		mm	INCH	4 PLACES	± ---	± ---	3 PLACES	± ---	± ---	2 PLACES	± 0.13	± ---	1 PLACE	± 0.25	± ---	DIMENSION STYLE <b>MM ONLY</b> DRAWN BY: WGM DATE: 97/08/04 CHECKED BY: DATE:	SCALE: METRIC DESIGN UNITS: METRIC THIRD ANGLE PROJECTION
		mm	INCH																
	4 PLACES	± ---	± ---																
	3 PLACES	± ---	± ---																
2 PLACES	± 0.13	± ---																	
1 PLACE	± 0.25	± ---																	
MATERIAL NO. <b>SEE TABLE</b>	DRAFT WHERE APPLICABLE MUST REMAIN WITHIN DIMENSIONS	APPROVED BY: DJB DATE: 97/08/04 MATERIAL NO.	TITLE: <b>SALES ASSY, 1.0MM 84 CKT BOARD-TO-BOARD RECPTACLE 10.3 STACK HEIGHT</b>	DOCUMENT NO. <b>MOLEX INCORPORATED</b>															
SIZE: C	THIS DRAWING CONTAINS INFORMATION THAT IS PROPRIETARY TO MOLEX INCORPORATED AND SHOULD NOT BE USED WITHOUT WRITTEN PERMISSION	SHEET NO. <b>SDA-71742-3***</b> 1 OF 2																	

RECOMMENDED PLUG/RECEPTACLE COMBINATION FOR  
MATED STACK HEIGHT PER EIA STANDARD 700 AAAB

MATED STACK HEIGHT	RECEPTACLE HEIGHT	RECEPTACLE SERIES NO.	PLUG HEIGHT	PLUG SERIES NO.
15.00/.591	10.30/.406	71742-3***	4.30/.169	71741-0***
13.00/.512	10.30/.406	71742-3***	2.30/..091	71741-2***



SEE SHEET 1 EC NO: UCP2009-2408 DRWN:BBARKER 2009/04/20 CHKD:JMORGAN 2009/04/20 APPR:SMILLER 2009/04/21	QUALITY SYMBOLS ▽=0 ▽=0	GENERAL TOLERANCES (UNLESS SPECIFIED) <table border="1"> <thead> <tr> <th></th> <th>mm</th> <th>INCH</th> </tr> </thead> <tbody> <tr> <td>4 PLACES</td> <td>± .---</td> <td>± .---</td> </tr> <tr> <td>3 PLACES</td> <td>± .---</td> <td>± .---</td> </tr> <tr> <td>2 PLACES</td> <td>± 0.13</td> <td>± .---</td> </tr> <tr> <td>1 PLACE</td> <td>± 0.25</td> <td>± .---</td> </tr> </tbody> </table> ANGULAR ±1/2°		mm	INCH	4 PLACES	± .---	± .---	3 PLACES	± .---	± .---	2 PLACES	± 0.13	± .---	1 PLACE	± 0.25	± .---	DIMENSION STYLE <b>MM ONLY</b> DRAWN BY DATE WGM 97/08/04 CHECKED BY DATE	SCALE DESIGN UNITS METRIC THIRD ANGLE PROJECTION	TITLE SALES ASSY, 1.0MM 84 CKT BOARD-TO-BOARD RECP TACLE 10.3 STACK HEIGHT
		mm	INCH																	
	4 PLACES	± .---	± .---																	
	3 PLACES	± .---	± .---																	
2 PLACES	± 0.13	± .---																		
1 PLACE	± 0.25	± .---																		
DRAFT WHERE APPLICABLE MUST REMAIN WITHIN DIMENSIONS	APPROVED BY DATE DJB 97/08/04	MATERIAL NO. <b>SEE TABLE</b>	MOLEX INCORPORATED	SHEET NO. 1 OF 2																
SIZE THIS DRAWING CONTAINS INFORMATION THAT IS PROPRIETARY TO MOLEX INCORPORATED AND SHOULD NOT BE USED WITHOUT WRITTEN PERMISSION	DOCUMENT NO. SDA-71742-3***																			

13 12 11 10 9 8 7 6 5 4 3 2 1

J

I

H

G

F

E

D

C

B

A

J

I

H

G

F

E

D

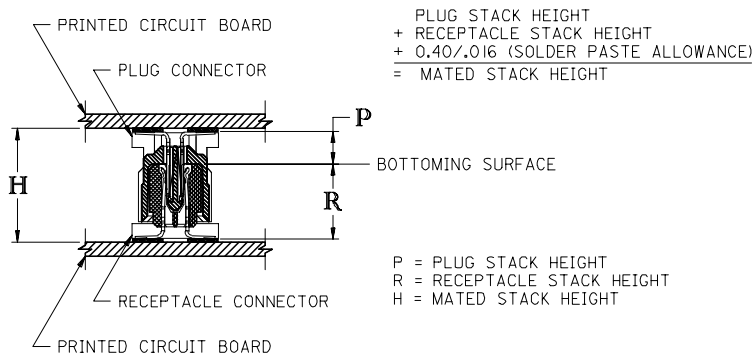
C

B

A

\*RECOMMENDED PLUG/RECEPTACLE COMBINATION FOR  
MATED STACK HEIGHT PER EIA STANDARD 700 AAAB

MATED STACK HEIGHT	RECEPTACLE HEIGHT	RECEPTACLE SERIES NO.	PLUG HEIGHT	PLUG SERIES NO.
*15.00/.591	10.30/.406	71742-3***	4.30/.169	71741-0***
13.00/.512	10.30/.406	71742-3***	2.30/..091	71741-2***



P = PLUG STACK HEIGHT  
R = RECEPTACLE STACK HEIGHT  
H = MATED STACK HEIGHT

CHG TO NEW BORDER EC NO: UCP2007-1510 G DRAWN: BARKER 2007/01/04 CHKD: MIBARRA 2007/01/04 APPR: SMILLER 2007/01/05	QUALITY SYMBOLS ▽=0 ▽=0	GENERAL TOLERANCES (UNLESS SPECIFIED)		DIMENSION STYLE MM/IN		SCALE ---	DESIGN UNITS METRIC	THIRD ANGLE PROJECTION		
		4 PLACES ± --- ± ---	DRAWN BY KAS	DATE 98/12/28	TITLE SALES ASSEMBLY, 10 MM 84 CKT., BTB RECEPTACLE 10.30/.406 STACK HEIGHT					
		3 PLACES ± --- ± ---	CHECKED BY KAS	DATE 98/12/28	MATERIAL NO. SDA-71742-3***					
		2 PLACES ± --- ± ---	APPROVED BY DJB	DATE 98/12/28	DOCUMENT NO. SDA-71742-3***					
1 PLACE ± --- ± ---	ANGULAR ±1/2°		SEE TABLE		SHEET NO. 2 OF 2		THIS DRAWING CONTAINS INFORMATION THAT IS PROPRIETARY TO MOLEX INCORPORATED AND SHOULD NOT BE USED WITHOUT WRITTEN PERMISSION			

12 11 10 9 8 7 6 5 4 3 2 1