

THIS DRAWING IS UNPUBLISHED.

RELEASED FOR PUBLICATION

20

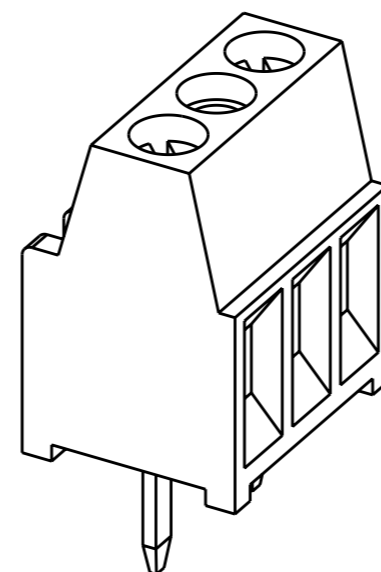
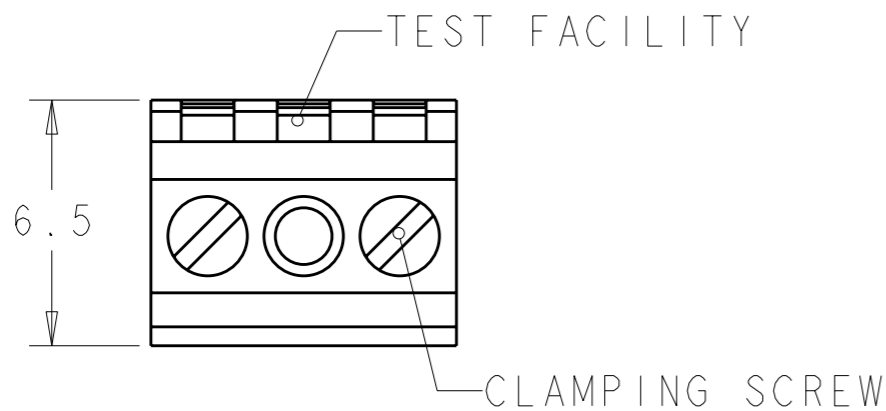
© COPYRIGHT 20

ALL RIGHTS RESERVED.

LOC	DIST
FT	0

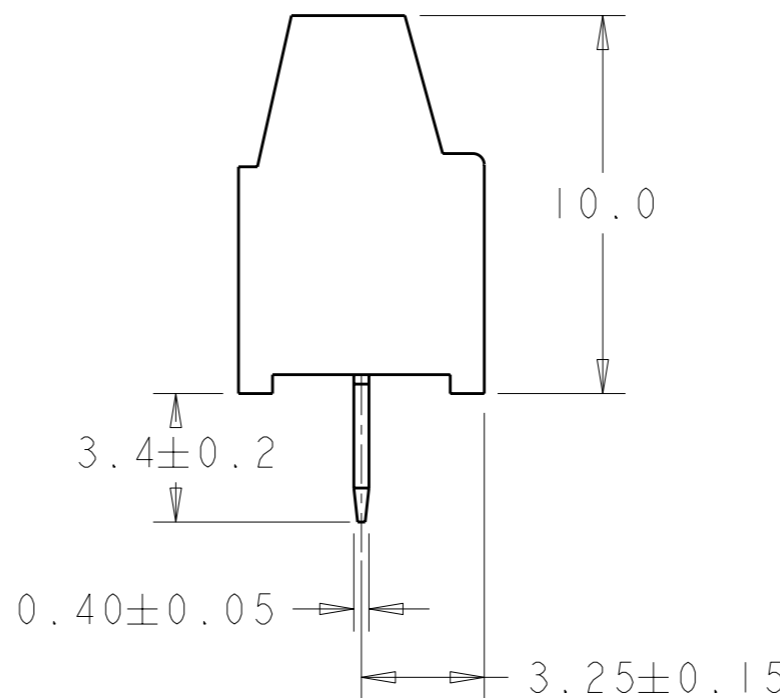
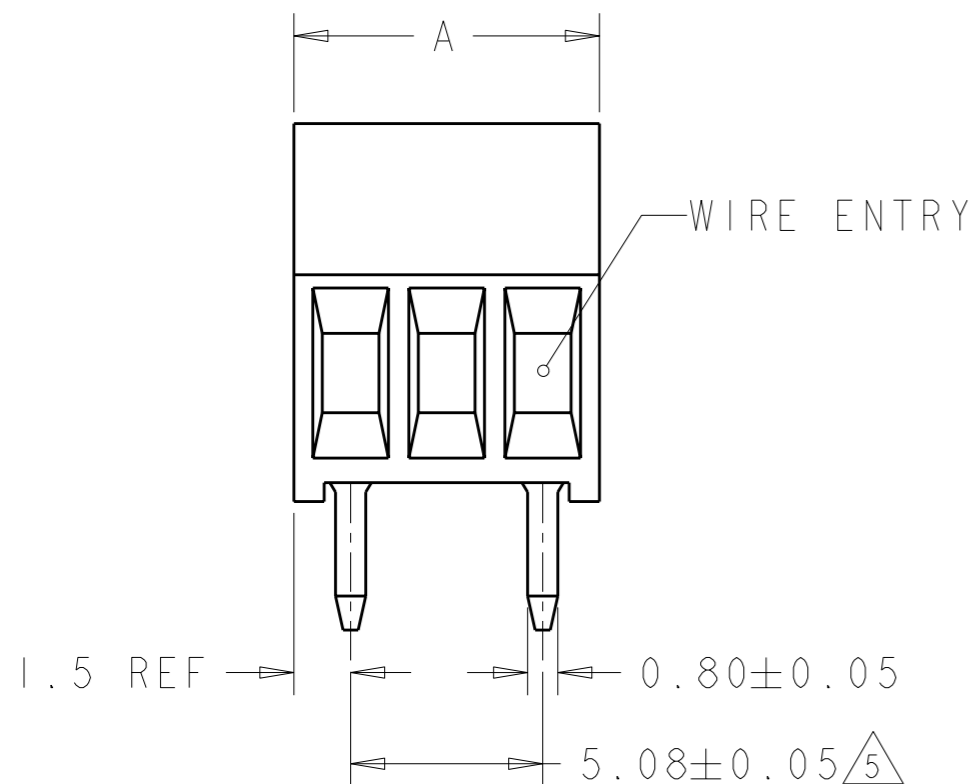
REVISIONS

P	LTR	DESCRIPTION	DATE	DWN	APVD
	CI	REVISED PER ECO-11-007905	15APR2011	HMR	CR



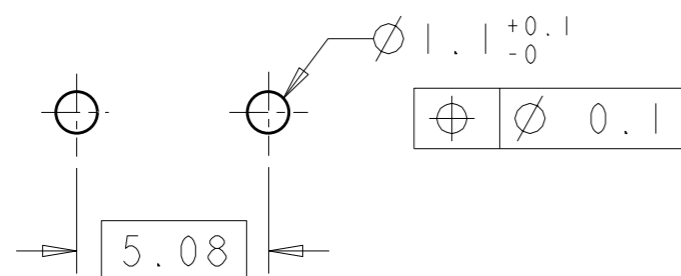
282835-2 AS SHOWN

- 1 MATERIALS AND FINISH
HOUSING: PA 6-6, UL 94-V0, COLOR GREEN.
CLAMP: BRASS, NICKEL PLATED.
TERMINAL: BRASS, TIN PLATED.
CLAMPING SCREW: M1.6, STAINLESS STEEL.
- 2 SUITABLE FOR 1,6-2,4mm PC BOARD THICKNESS.
- 3 CONNECTION POWER
SOLID WIRE: 0,03-1mm² (17AWG).
STRANDED WIRE: 0,03-0,75mm² (18AWG).
- 4 RECOGNIZED UNDER THE COMPONENT PROGRAM OF
UNDERWRITERS LABORATORIES INC. FILE N° E60677.
- 5 NOT CUMULATIVE TOLERANCE.
- 6 TORQUE: 1.73 in-lbs MAX



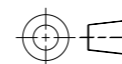
28.40	6	282835-6
23.32	5	282835-5
18.24	4	282835-4
13.16	3	282835-3
8.08	2	282835-2
DIM. A	N° OF POS.	PART NUMBER

RECOMMENDED PC BOARD LAYOUT



THIS DRAWING IS A CONTROLLED DOCUMENT.

DIMENSIONS: mm



MATERIAL



TOLERANCES UNLESS OTHERWISE SPECIFIED:

- 0 PLC ±-
- 1 PLC ±.3
- 2 PLC ±.25
- 3 PLC ±-
- 4 PLC ±-
- ANGLES ±2

FINISH



DWN E. ZANOLINI 15AUG2001

CHK D. BIEVENOUR 15AUG2001

APVD D. BIEVENOUR 15AUG2001

D. BIEVENOUR

PRODUCT SPEC

108-20166

APPLICATION SPEC

114-20079

WEIGHT -

CUSTOMER DRAWING



TE Connectivity

NAME
**TERMINAL BLOCK PCB MOUNT
 SIDE ENTRY WIRE
 5.08mm PITCH**

SIZE	CAGE CODE	DRAWING NO	RESTRICTED TO
------	-----------	------------	---------------

A3	00779	C-282835	-
----	-------	----------	---

SCALE	SHEET	OF	REV
5:1	1	1	CI