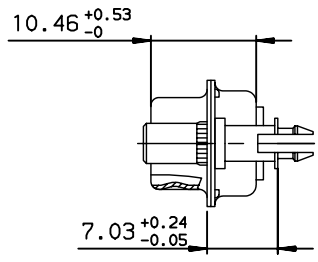
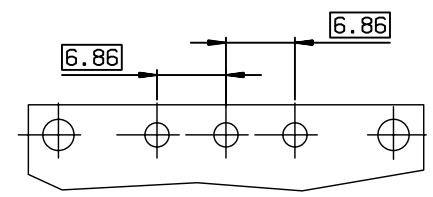
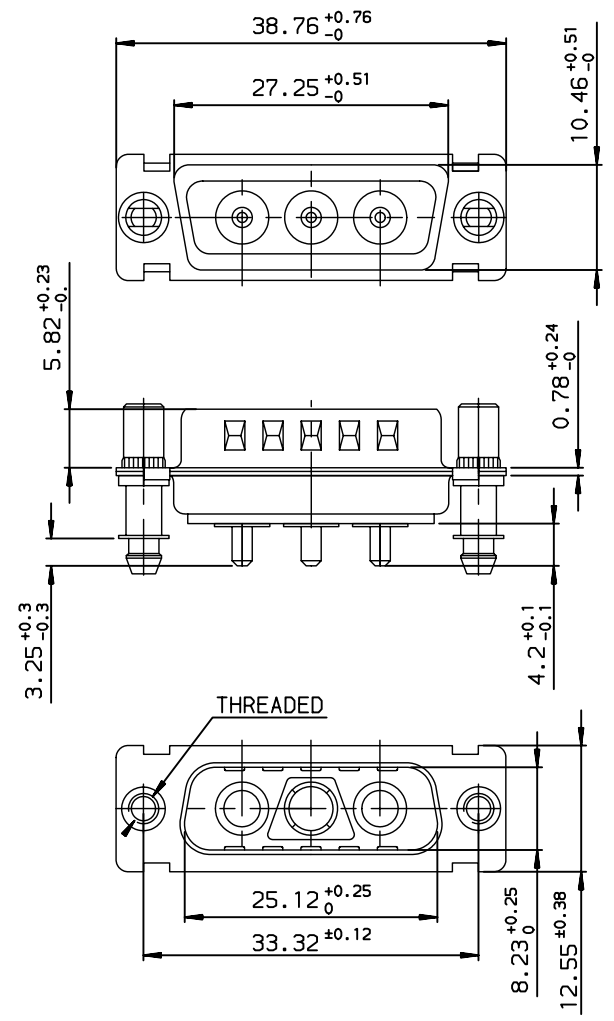


LAYOUT DIMENSIONS (after plating)  
CONNECTOR SIDE VIEW



GENERAL CHARACTERISTICS : SEE DRAWING C01-8639-0001

DAV3V3P300G30	UNC 4.40
DAV3V3P300G40	UNC 4.40
DAV3V3P300H30	UNC 4.40
DAV3V3P300H40	UNC 4.40
DAI3V3P300G30	M3
DAI3V3P300G40	M3
DAI3V3P300H30	M3
DAI3V3P300H40	M3
PART NUMBER	Threaded A

European Views

www.fciconnect.com		surface ISO 1302 <input checked="" type="checkbox"/>	tolerance std ISO 406 ISO 1101	projection 	mm
TOLERANCES UNLESS OTHERWISE SPECIFIED					
Dr	PESSON	2003/11/07	ANGULAR	0.X ±0.1	size A3
Eng	PESSON	2003/11/07	LINEAR	0.XX ±0.1	Scale 2
Chr	LEGARE	2003/11/07	0.XX' ±2'	0.XXX ±0.1	ECN LS07-0094
Appr	LEGARE	2003/11/07	Product family	SUB	Spec ref -
<b>PIN CONNECTOR SUB D</b> WITH POWERS CONTACTS				dwg no <b>C01-8639-1517</b>	Rev. <b>E</b>
catalog no -				CUSTOMER	sheet 1 of 1

rev	ecn no	dr	date
D	-	MPE	2003/11/07
E	LS07-0094	MPE	2007/04/05
-	-	-	-
-	-	-	-
-	-	-	-
-	-	-	-