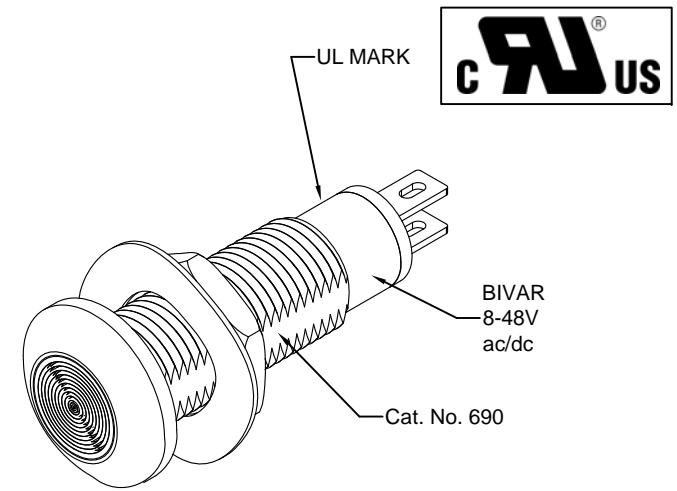
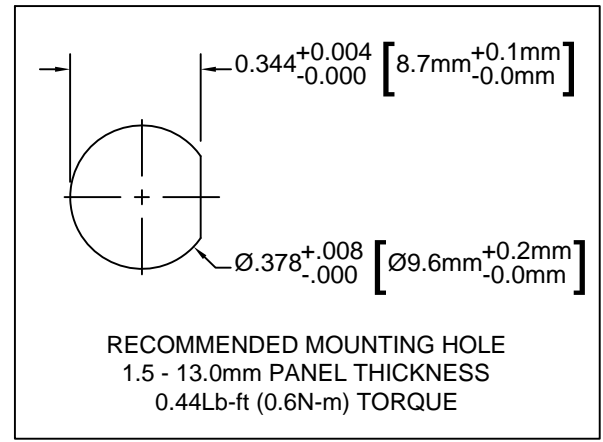
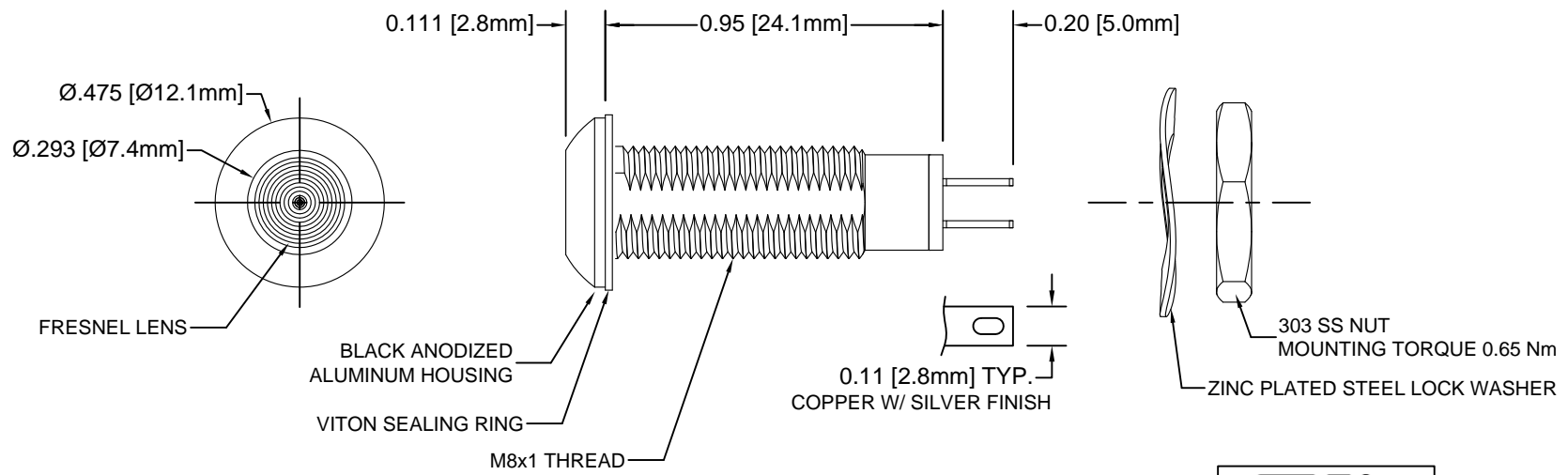



REV.	DESCRIPTION	DATE	APPROVED
B	Engineering Release	06/14/12	T. Y.
C	Engineering Update w/o Changes	08/11/16	J. C.



- NOTES:
1. SEALED TO IP67 RATING
  2. 8 ~ 48V AC/DC INPUT VOLTAGE
  3. BI-POLAR OPERATION
  4. ROHS COMPLIANT
  5. MOUNTING HARDWARE SHIPPED NON-ASSEMBLED
  6. INSERT VITON RING ON PANEL MOUNT ASSEMBLY PRIOR TO PANEL INSTALLATION
  7. UL RECOGNIZED COMPONENT

STANDARD TOLERANCE (UNLESS OTHERWISE SPECIFIED)		 4 THOMAS, IRVINE, CA. 92618 TEL: (949) 951-8808 FAX: (949) 951-3974			
DECIMALS	ANGULAR				
.X ± .1	X° ± 1°	<b>TITLE:</b> IP67 / UL RATED PANEL MOUNT INDICATOR			
.XX ± .02					
.XXX ± .010		<b>DESIGNED:</b> B. Oliver	<b>DATE:</b> 04/16/12	<b>PART NO:</b> PM5-A690X48V	<b>REVISION:</b> C
<b>CHECKED:</b> T. Yin		<b>DATE:</b> 04/16/12		<b>CAGE CODE :</b> 32559	<b>SHEET #</b> 1 OF 2
CAD GENERATED DOCUMENT. DO NOT MEASURE DRAWING.					


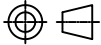
REV.	DESCRIPTION	DATE	APPROVED
	SEE SHEET #1		

Part Number	Peak Wave Length $\lambda_p$ (nm)	Emitted Color	Lens Appearance	Electro-Optical Data @ 10mA		Viewing Angle
				Vf (VDC/VAC)	Iv (mcd)	
				TYP	TYP	
PM5-A690B48V	468	BLUE	SMOKED	8-48 VAC/VDC	400	120
PM5-A690G48V	515	GREEN	SMOKED	8-48 VAC/VDC	800	120
PM5-A690R48V	600	RED	SMOKED	8-48 VAC/VDC	600	120
PM5-A690Y48V	585	YELLOW	SMOKED	8-48 VAC/VDC	600	120

Part Number	Chromaticity Coordinates	Emitted Color	Lens Appearance	Electro-Optical Data @ 20mA		Viewing Angle
				Vf (VDC/VAC)	Iv (mcd)	
				TYP	TYP	
PM5-A690W48V	X=0.45 Y=0.42	WHITE	SMOKED	8-48 VAC/VDC	1200	120

### ABSOLUTE MAXIMUM RATINGS (Ta = 25°C)

MAXIMUM POWER DISSIPATION \_\_\_\_\_ 480 mW  
 OPERATING TEMPERATURE RANGE \_\_\_\_\_ -40°C ~ 80°C  
 STORAGE TEMPERATURE \_\_\_\_\_ -40°C ~ 100°C

STANDARD TOLERANCE (UNLESS OTHERWISE SPECIFIED) DECIMALS      ANGULAR		 4 THOMAS, IRVINE, CA. 92618 TEL: (949) 951-8808    FAX: (949) 951-3974	
			
DESIGNED: <b>B. Oliver</b>	DATE: <b>04/16/12</b>	TITLE: IP67 / UL RATED PANEL MOUNT INDICATOR	REVISION: <b>C</b>
CHECKED: <b>T. Yin</b>	DATE: <b>04/16/12</b>	PART NO: <b>PM5-A690X48V</b>	CAGE CODE : 32559    SHEET # 2 OF 2
CAD GENERATED DOCUMENT. DO NOT MEASURE DRAWING.			