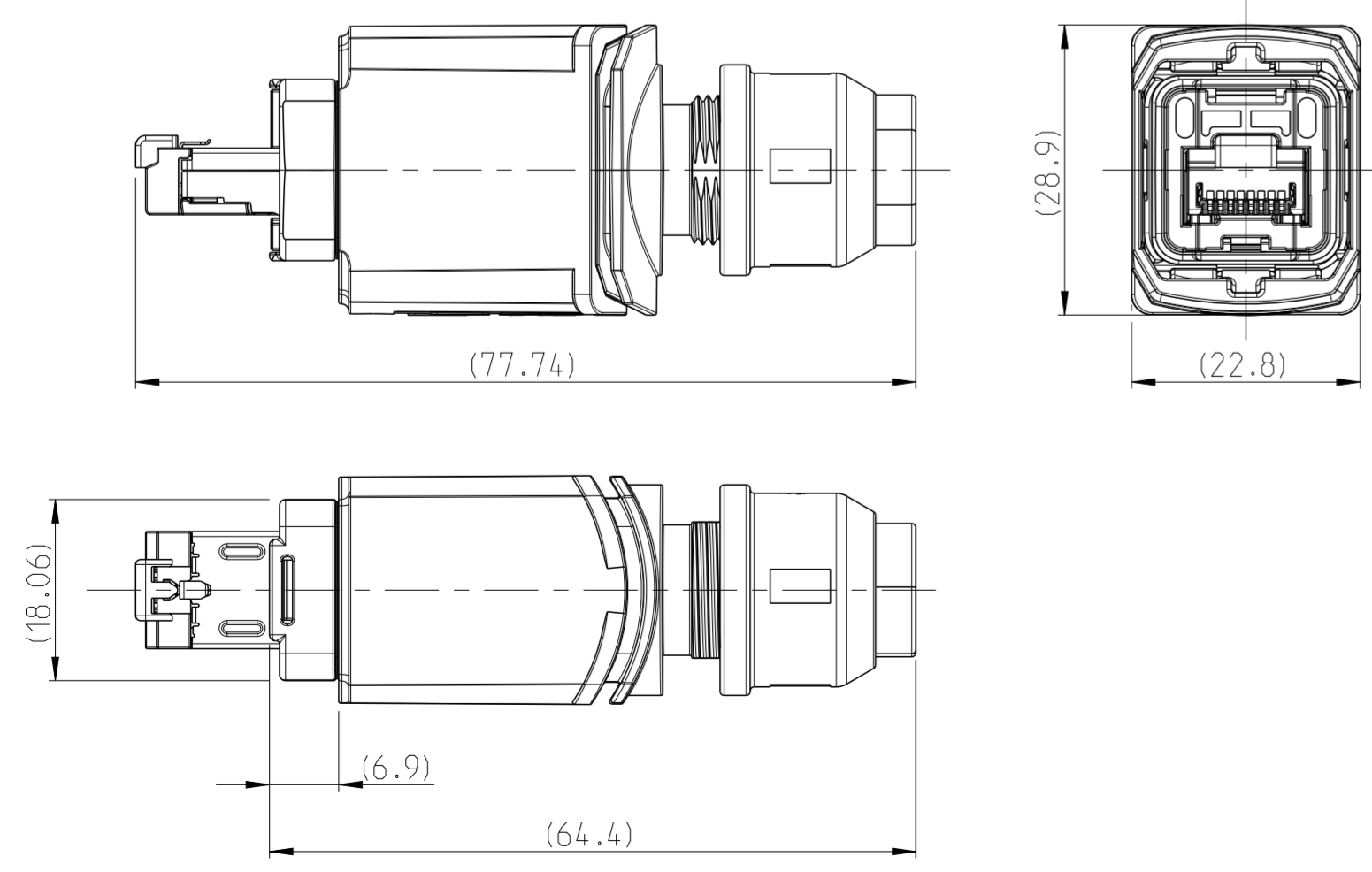


-1 AS SHOWN  
-1 WIE GEZEICHNET

- ⚠ MOUNTING-CYCLE:  
- APPLICATION SEE INSTRUCTION SHEET 411-18564
- 2 PACKAGING:  
- CONNECTOR SET PACKED INTO BLISTER PACKAGE.  
- BLISTER PACKAGE PACKED INTO CARTON
- 3 RJ45 APPLICATION ACC. IEC 60076-3-117 AND INTERFACE DIM.
- ⚠ NOT SHOWN
- ⚠ MONTAGE:  
- VERARBEITUNG SIEHE MONTAGEANWEISUNG 411-18564
- 2 VERPACKUNG:  
- STECKER SET IN BLISTERVERPACKUNG VERPACKT  
- BLISTERVERPACKUNG TRAY IN KARTON VERPACKT
- 3 RJ45 ANWENDUNG NACH IEC 60076-3-117 UND SCHNITTSTELLENMASSE
- ⚠ NICHT DARGESTELLT

DIMENSION IN ASSEMBLED CONDITION  
MASSE IM ASSEMBLIERTEN ZUSTAND  
SCALE / M 3:2



Size ISO 14405 (E)

QUANTITY STUECK		ITEM-NO. POS.	DESCRIPTION BENENNUNG	SURFACE OBERFLAECHE COLOUR/FARBE	MATERIAL
-	-	1	5 BLISTER PACKAGE BLISTERVERPACKUNG	-	-
-	-	1	4 INSTRUCTION SHEET MONTAGEANWEISUNG	-	-
-	-	1	3 PUSH PULL, SUB-ASSY PUSH PULL, SUB-ASSY	3-5 µm Ni OVER Ø µm Cu	ZP04.10 DIN 12833
-	-	1	2 COMMON CORE ASSY 8POS.. GIGABIT GEM. KERN ASSY 8POL.. GIGABIT	-	-
-	-	1	1 ADAPTER RJ45, CAT5e PLUG, VARIANTE 14 ADAPTER RJ45, CAT5e STECKER, VARIANTE 14	BLACK SCHWARZ	PBT-GF20

TE  
ORDER-NO.  
BESTELL-NR.

THIS DRAWING IS A CONTROLLED DOCUMENT. DIMENSIONING AND TOLERANCING PER GPS (ISO STANDARDS). DIMENSIONS: MASSE IN EINHEITEN: (MM). TOLERANCES UNLESS OTHERWISE SPECIFIED: ALLGEMEINTOLERANZEN. 0 PLC ±0.2, 1 PLC ±0.2, 2 PLC ±0.2, 3 PLC ±, 4 PLC ±, ANGLES/WINKEL ±2°, FINISH/OBERFLAECHE/FARBE.

DWN: S. HASS 20SEP2013, CHK: M. STRELOW 20SEP2013, APVD: C. SCHRETTLINGER 20SEP2013. PRODUCT SPEC: 108-94207. APPLICATION SPEC: -.

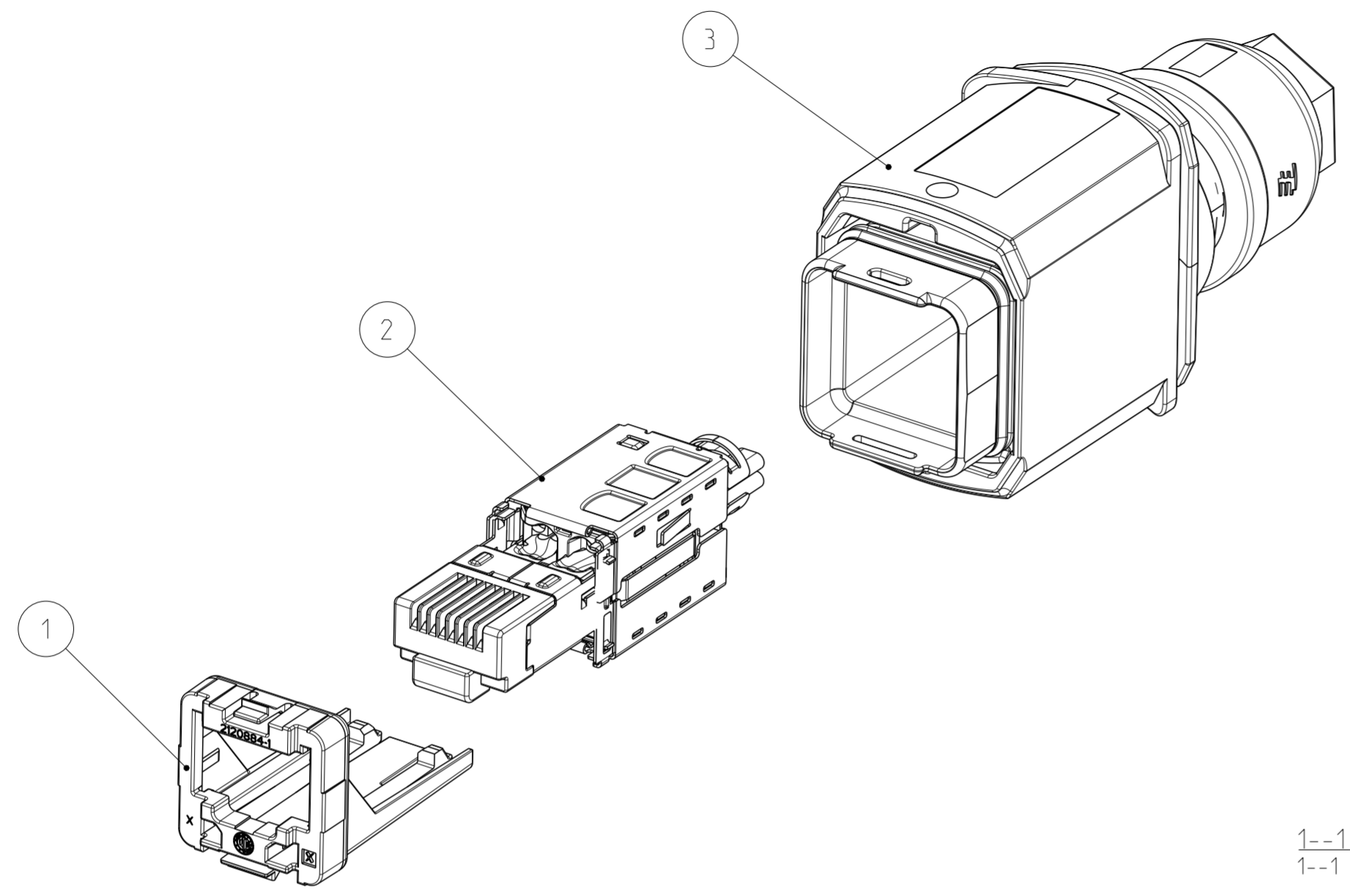
WEIGHT: 78.6g. Customer Drawing. SCALE: 2:1. SHEET: 1 OF 5. REV: A2.

TE Connectivity logo and name.

VARIANT 14, PLUG METAL  
VARIANTE 14, PLUG METALL  
RJ45, CAT5e, 8POS. GIGABIT

SIZE: A2, CAGE CODE: 00779, DRAWING NO: 2120864.

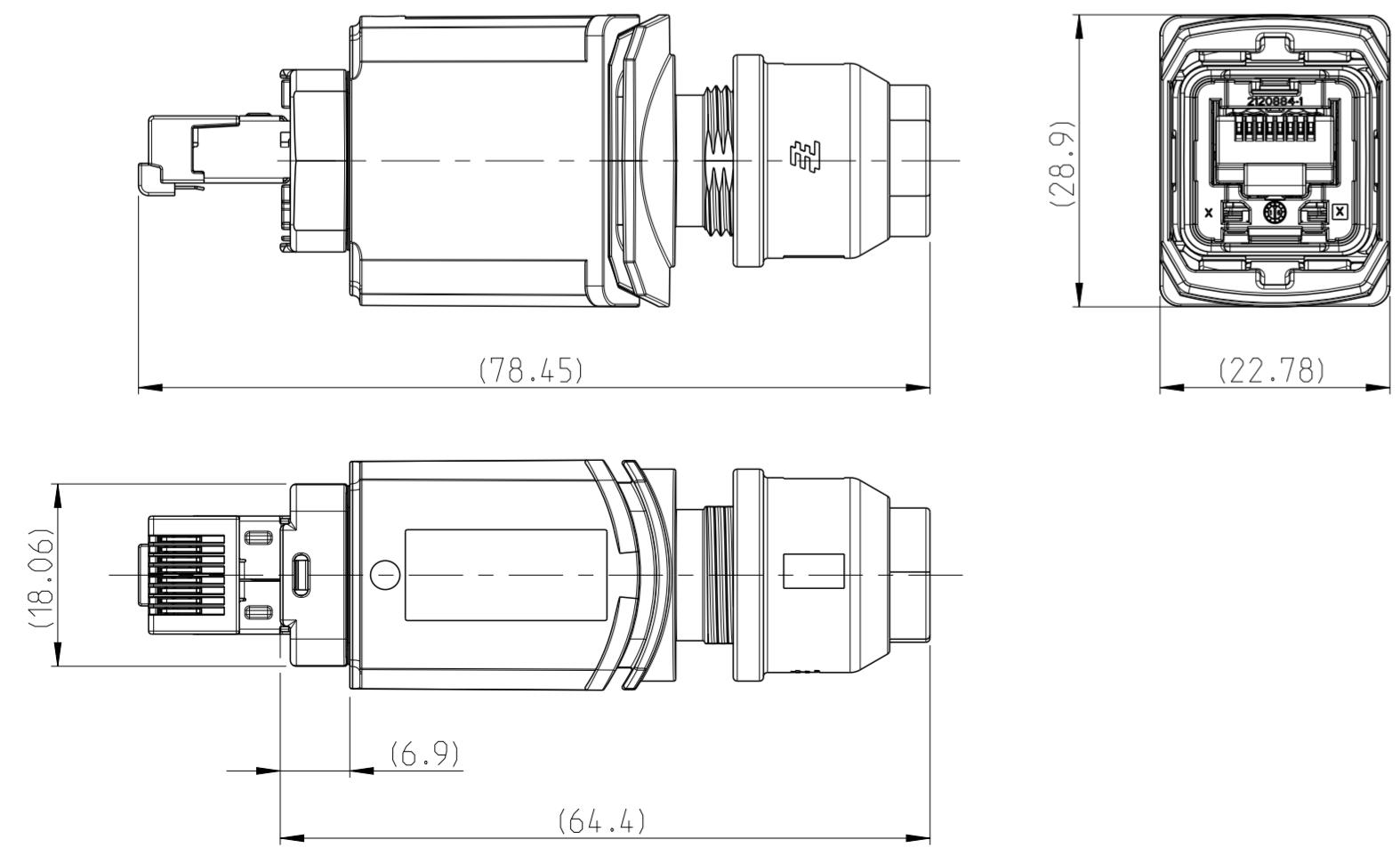
P		LTR	REVISIONS ÄNDERUNGEN	DATE	DWN	APVD
-	-	SEE SHEET 1	DESCRIPTION BESCHREIBUNG			



1--1 AS SHOWN  
1--1 WIE GEZEICHNET

- 1 MOUNTING-CYCLE:  
- APPLICATION SEE INSTRUCTION SHEET 411-18566
- 2 PACKAGING:  
- CONNECTOR SET PACKED INTO BLISTER PACKAGE.  
- BLISTER PACKAGE PACKED INTO CARTON
- 3 RJ45 APPLICATION ACC. IEC 60076-3-117 AND INTERFACE DIM.
- 4 NOT SHOWN
- 1 MONTAGE:  
- VERARBEITUNG SIEHE MONTAGEANWEISUNG 411-18566
- 2 VERPACKUNG:  
- STECKER SET IN BLISTERVERPACKUNG VERPACKT  
- BLISTERVERPACKUNG TRAY IN KARTON VERPACKT
- 3 RJ45 ANWENDUNG NACH IEC 60076-3-117 UND SCHNITTSTELLENMASSE
- 4 NICHT DARGESTELLT

DIMENSION IN ASSEMBLED CONDITION  
MASSE IM ASSEMBLIERTEN ZUSTAND  
SCALE / M 3:2



Size ISO 14405 (E)

QUANTITY STUECK	ITEM-NO. POS.	DESCRIPTION BENENNUNG	SURFACE OBERFLAECHE COLOUR/FARBE	MATERIAL
-	-	1-2120864-1	TE ORDER-NO. BESTELL-NR.	
-	5	BLISTER PACKAGE BLISTERVERPACKUNG		
-	4	INSTRUCTION SHEET MONTAGEANWEISUNG		
-	3	PUSH PULL, SUB-ASSY PUSH PULL, SUB-ASSY	3-5 µm Ni OVER Ø µm Cu	ZP04.10 DIN 12833
-	2	COMMON CORE ASSY 8POS.. CAT6A GEM. KERN ASSY 8POL.. CAT6A		
-	1	ADAPTER RJ45, CAT6A PLUG, VARIANTE 14 ADAPTER RJ45, CAT6A STECKER, VARIANTE 14	BLACK SCHWARZ	PBT-GF20

THIS DRAWING IS A CONTROLLED DOCUMENT.  
DIMENSIONING AND TOLERANCING PER GPS (ISO STANDARDS)

DIMENSIONS:  
MASSEINHEITEN:  
(MM)

TOLERANCES UNLESS  
OTHERWISE SPECIFIED:  
ALLGEMEINTOLERANZEN

0 PLC ±0.2  
1 PLC ±0.2  
2 PLC ±0.2  
3 PLC ±  
4 PLC ±  
ANGLES/WINKEL ±2°  
FINISH/OBERFLAECHE/FARBE

DWN S. HASS 20SEP2013  
CHK M. STRELOW 20SEP2013  
APVD C. SCHRETTLINGER 20SEP2013

PRODUCT SPEC  
PRODUKTSPEZ.  
108-94207

APPLICATION SPEC  
VERARBEITUNGSSPEZ.  
-

WEIGHT  
GEWICHT  
83.0g

Customer Drawing

NAME  
VARIANTE 14, PLUG METAL  
VARIANTE 14, PLUG METALL  
RJ45, CAT6A, 8POS.

SIZE A2  
CAGE CODE 00779  
DRAWING NO.  
ZEICHNUNGS-NR.  
C-2120864

RESTRICTED TO  
NUR FUER  
-

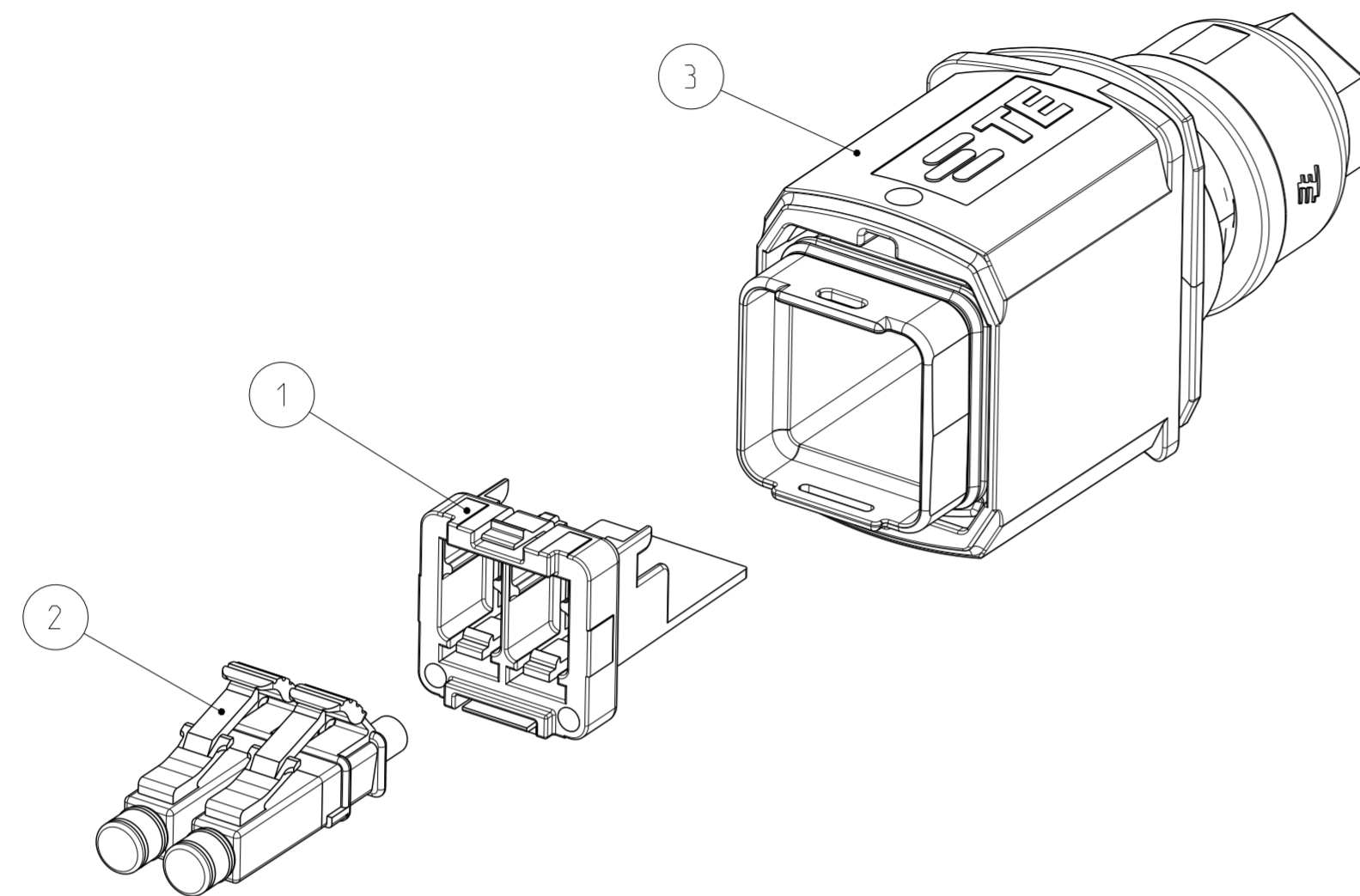
SCALE  
MASSTAB  
2:1

SHEET  
BLATT  
2 OF 5

REV  
A2

STE TE Connectivity

P	LTR	DESCRIPTION BESCHREIBUNG	DATE	DWN	APVD
-	-	SEE SHEET 1	-	-	-

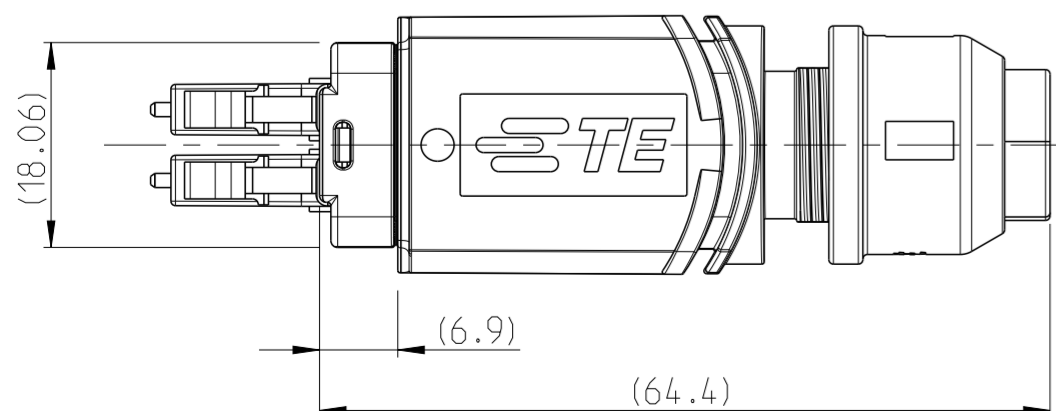
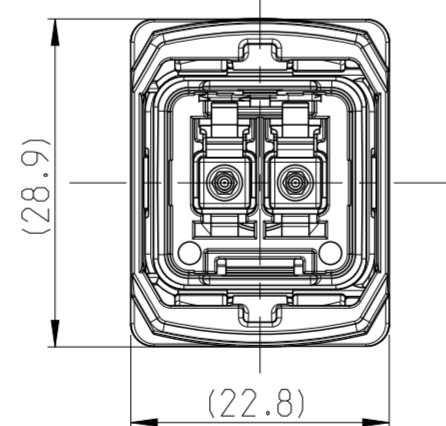
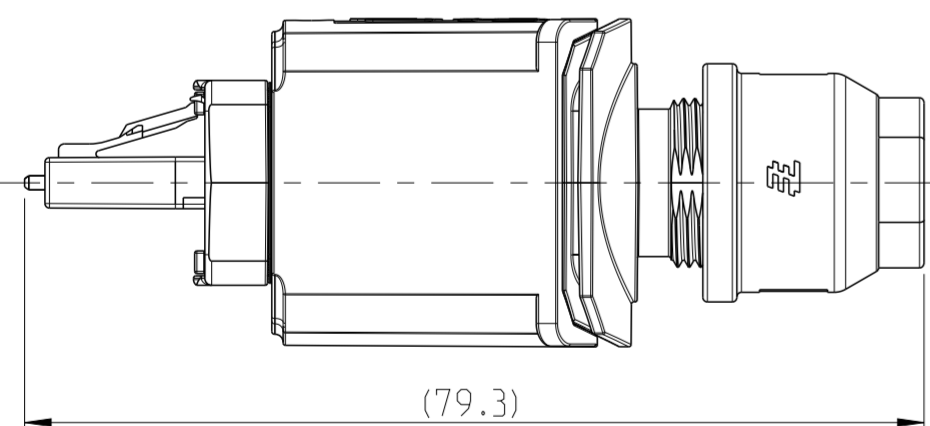


- 1 MOUNTING-CYCLE:  
- APPLICATION SEE INSTRUCTION SHEET 411-18565
- 2 PACKAGING:  
- CONNECTOR SET PACKED INTO BLISTER PACKAGE  
- BLISTER PACKAGE PACKED INTO CARTON
- 3 CONNECTOR APPLICATION ACC. INSTRUCTION SHEET 408-8925
- 4 NOT SHOWN

- 1 MONTAGE:  
- VERARBEITUNG SIEHE MONTAGEANWEISUNG 411-18565
- 2 VERPACKUNG:  
- STECKER SET IN BLISTERVERPACKUNG VERPACKT  
- BLISTERVERPACKUNG IN KARTON VERPACKT
- 3 STECKVERBINDER MONTAGE NACH ARBEITSANWEISUNG 408-8925
- 4 NICHT DARGESTELLT

2--1 AS SHOWN  
2--1 WIE GEZEICHNET

DIMENSION IN ASSEMBLED CONDITION  
MASSE IM ASSEMBLIERTEN ZUSTAND  
SCALE / M 3:2



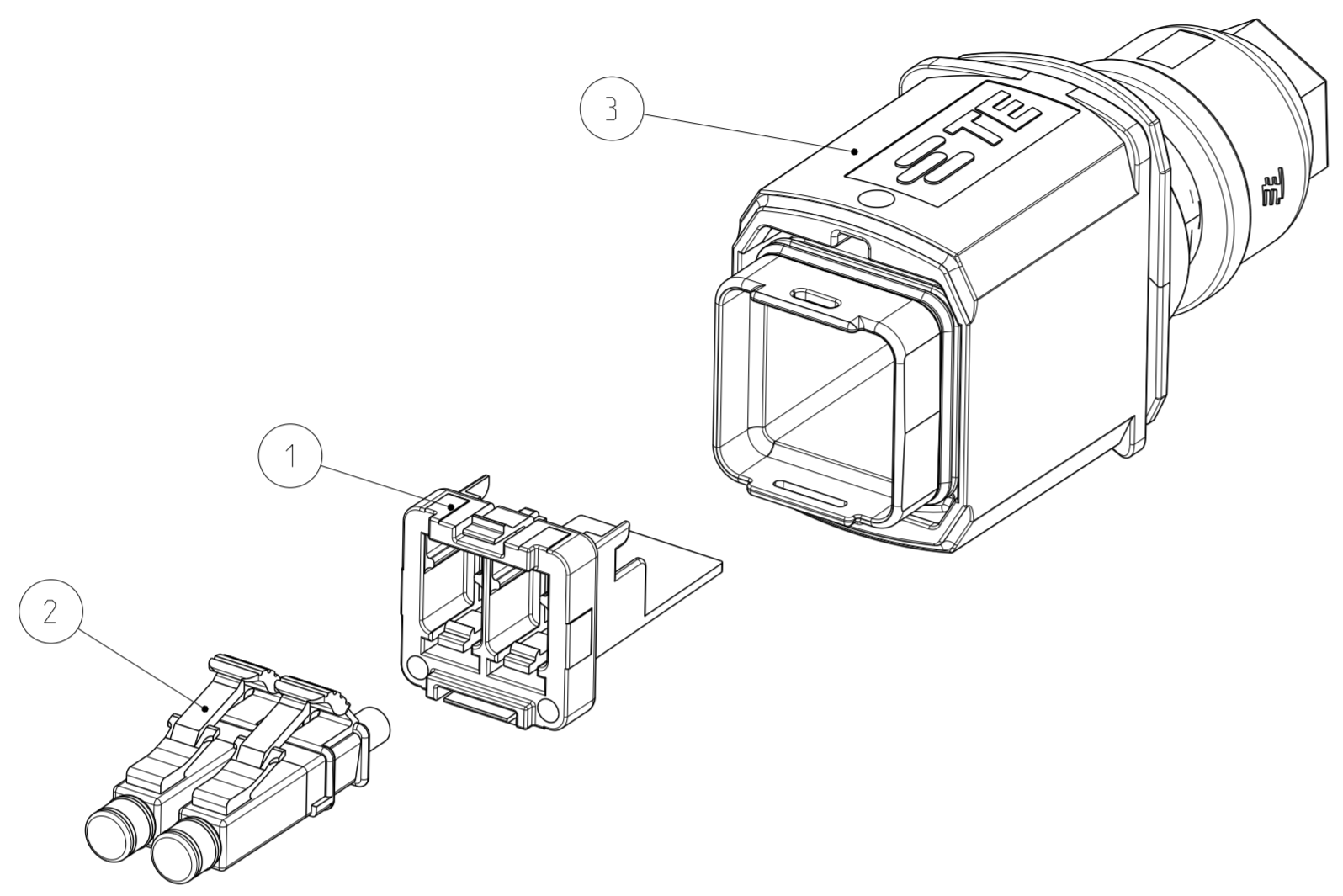
Size ISO 14405 (E)

QUANTITY STÜCK		ITEM-NO. POS.	DESCRIPTION BENENNUNG	SURFACE OBERFLÄCHE COLOUR/FARBE	MATERIAL
-	-	1	5 BLISTER PACKAGE BLISTERVERPACKUNG	-	-
-	-	1	4 INSTRUCTION SHEET MONTAGEANWEISUNG	-	-
-	-	1	3 PUSH PULL, SUB-ASSY PUSH PULL, SUB-ASSY	3-5 µm Ni OVER 8 µm Cu	ZP0410 DIN 12833
-	-	2	2 CONNECTOR ASSEMBLY ONE-PIECE LC. SINGLE MODE GLASFASERVERBINDER, LC, SINGLEMODE	BLUE BLAU	-
-	-	1	1 ADAPTER FIBER OPTIC PLUG, VARIANT 14 ADAPTER FIBER OPTIC STECKER, VARIANTE 14	BLACK SCHWARZ	PBT-GF20

THIS DRAWING IS A CONTROLLED DOCUMENT. DIMENSIONING AND TOLERANCING PER GPS (ISO STANDARDS).		DWN S. HASS 20SEP2013	 TE Connectivity
DIMENSIONS: MASSE IN EINHEITEN: (MM)		CHK M. STRELOW 20SEP2013	
TOLERANCES UNLESS OTHERWISE SPECIFIED: ALLGEMEINTOLERANZEN		APVD C. SCHRETTLINGER 20SEP2013	
0 PLC ±0.2 1 PLC ±0.2 2 PLC ±0.2 3 PLC ± 4 PLC ± ANGLES/WINKEL ±2° FINISH/OBERFLÄCHE/FARBE		NAME VARIANT 14, PLUG METAL VARIANTE 14, PLUG METALL FIBER OPTIC, LC, SINGLE MODE (BLUE)	
MATERIAL	-	WEIGHT GEWICHT 74.9g	SIZE A2 CAGE CODE 00779 DRAWING NO. ZEICHNUNGS-NR. C-2120864 RESTRICTED TO NUR FUER - Customer Drawing /KUNDENZEICHNUNG SCALE MASSSTAB 2:1 SHEET BLATT 3 OF VON 5 REV A2

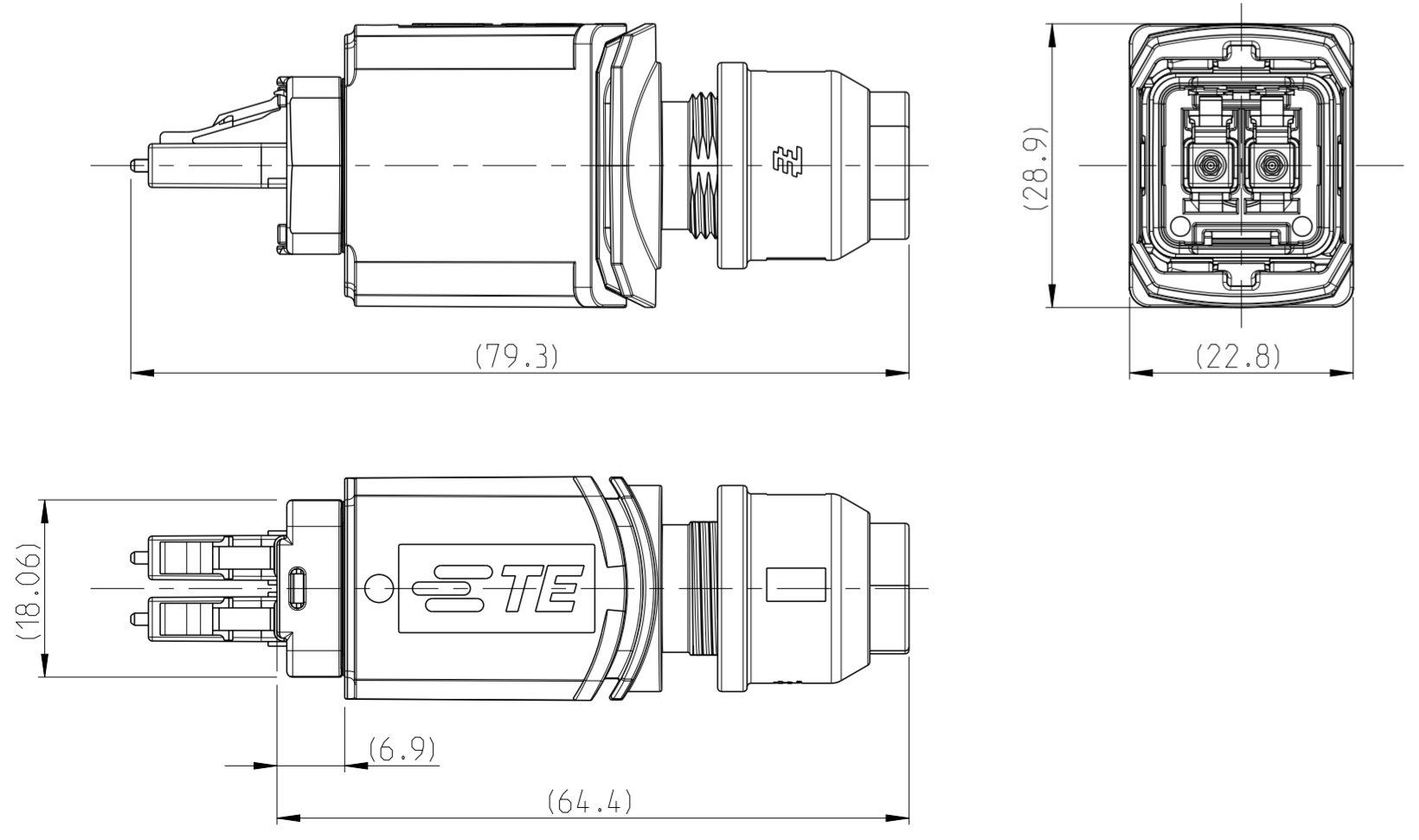
P	LTR	DESCRIPTION	DATE	DWN	APVD
-	-	SEE SHEET 1	-	-	-



- 1 MOUNTING-CYCLE:
    - APPLICATION SEE INSTRUCTION SHEET 411-18565
  - 2 PACKAGING:
    - CONNECTOR SET PACKED INTO BLISTER PACKAGE
    - BLISTER PACKAGE PACKED INTO CARTON
  - 3 CONNECTOR APPLICATION ACC. INSTRUCTION SHEET 408-8925
  - 4 NOT SHOWN
- 
- 1 MONTAGE:
    - VERARBEITUNG SIEHE MONTAGEANWEISUNG 411-18565
  - 2 VERPACKUNG:
    - STECKER SET IN BLISTERVERPACKUNG VERPACKT
    - BLISTERVERPACKUNG IN KARTON VERPACKT
  - 3 STECKERVERBINDER MONTAGE NACH ARBEITSANWEISUNG 408-8925
  - 4 NICHT DARGESTELLT

3--1 AS SHOWN  
3--1 WIE GEZEICHNET

DIMENSION IN ASSEMBLED CONDITION  
MASSE IM ASSEMBLIERTEN ZUSTAND  
SCALE / M 3:2



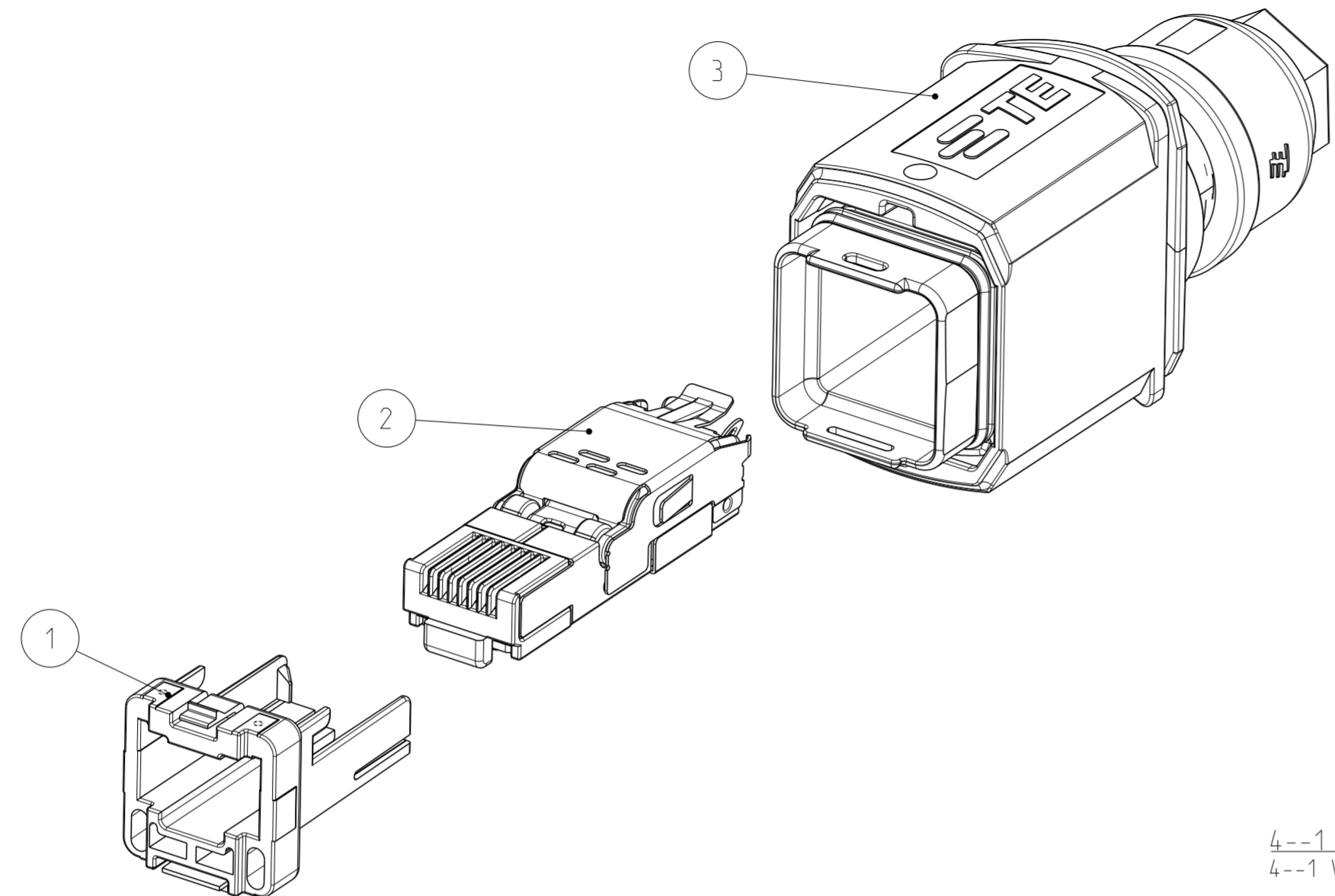
QUANTITY STÜCK	ITEM-NO. POS.	DESCRIPTION BENENNUNG	SURFACE OBERFLÄCHE COLOUR/FARBE	MATERIAL
-	-	3-2120864-1	<b>TE ORDER-NO. BESTELL-NR.</b>	
-	5	BLISTER PACKAGE BLISTERVERPACKUNG	-	-
-	4	INSTRUCTION SHEET MONTAGEANWEISUNG	-	-
-	3	PUSH PULL, SUB-ASSY PUSH PULL, SUB-ASSY	3-5 µm Ni OVER 8 µm Cu	ZP0410 DIN 12833
-	2	CONNECTOR ASSEMBLY ONE-PIECE LC, MULTI MODE GLASFASERVERBINDER, LC, MULTIMODE	BLACK SCHWARZ	-
-	1	ADAPTER FIBER OPTIC PLUG, VARIANT 14 ADAPTER FIBER OPTIC PLUG, VARIANTE 14	BLACK SCHWARZ	PBT-GF20

THIS DRAWING IS A CONTROLLED DOCUMENT. DIMENSIONING AND TOLERANCING PER GPS (ISO STANDARDS).		DWN S. HASS 20SEP2013	<b>STE</b> TE Connectivity
DIMENSIONS: MASSEINHEITEN: (MM)		CHK M. STRELOW 20SEP2013	
TOLERANCES UNLESS OTHERWISE SPECIFIED: ALLGEMEINTOLERANZEN		APVD C. SCHRETTLINGER 20SEP2013	
0 PLC ±0.2 1 PLC ±0.2 2 PLC ±0.2 3 PLC ± 4 PLC ± ANGLES/WINKEL ±2° FINISH/OBERFLÄCHE/FARBE		NAME VARIANT 14, PLUG METAL VARIANTE 14, PLUG METALL FIBER OPTIC, LC, MULTI MODE (BEIGE)	
MATERIAL		WEIGHT GEWICHT 74.9g	SIZE A2 CAGE CODE 00779 DRAWING NO. ZEICHNUNGS-NR. C-2120864 RESTRICTED TO NUR FUER -
Customer Drawing		/KUNDENZEICHNUNG	SCALE MASSSTAB 2:1 SHEET BLATT 4 OF 5 REV A2

Size ISO 14405 (E)

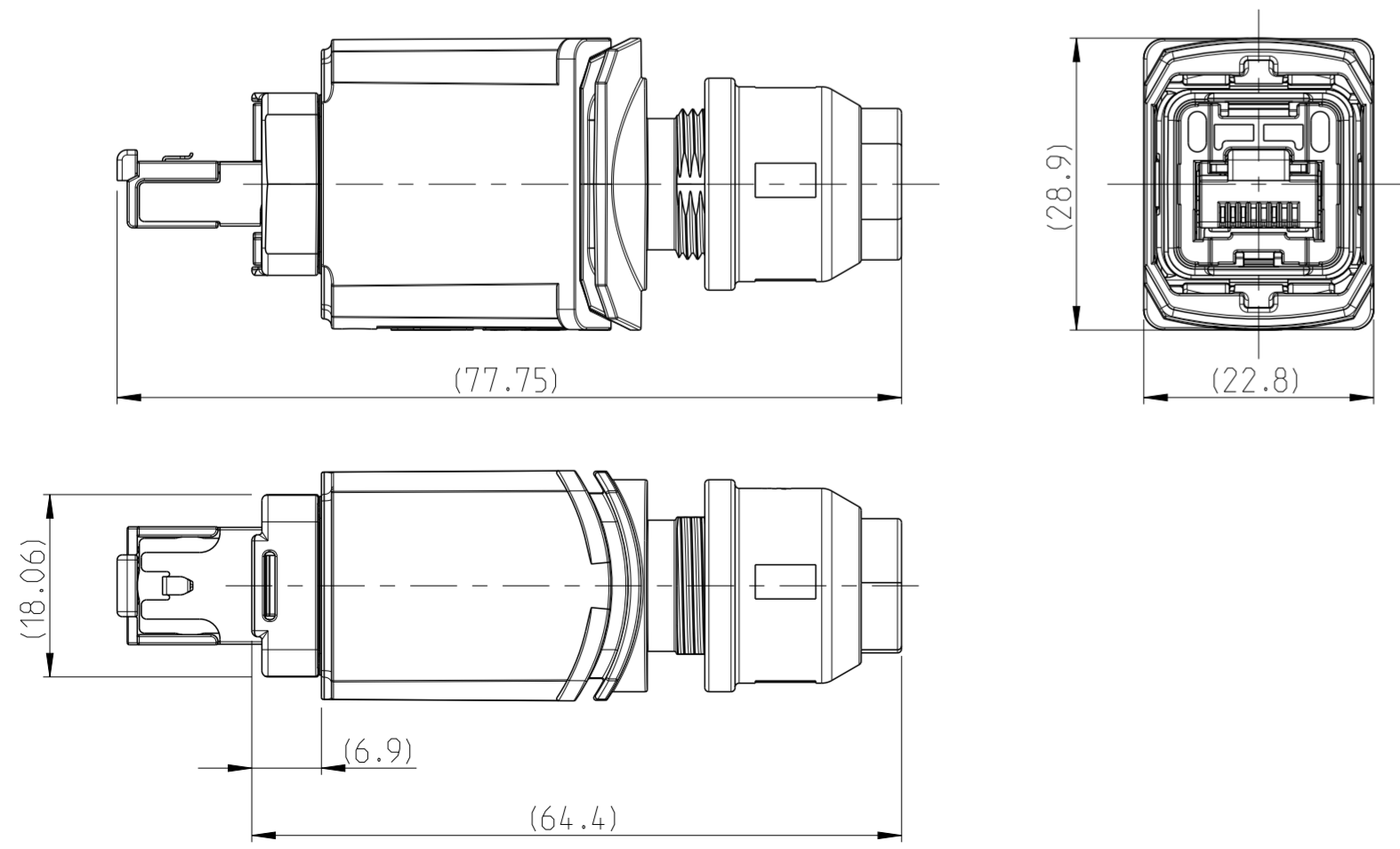
P	LTR	REVISIONS ÄNDERUNGEN DESCRIPTION BESCHREIBUNG	DATE	DWN	APVD
-	-	SEE SHEET 1	-	-	-



4--1 AS SHOWN  
4--1 WIE GEZEICHNET

- 1 MOUNTING-CYCLE:  
- APPLICATION SEE INSTRUCTION SHEET 411-18564
  - 2 PACKAGING:  
- CONNECTOR SET PACKED INTO BLISTER PACKAGE  
- BLISTER PACKAGE PACKED INTO CARTON
  - 3 RJ45 APPLICATION ACC. IEC 60076-3-117 and INTERFACE DIM.
  - 4 NOT SHOWN
- 
- 1 MONTAGE:  
- VERARBEITUNG SIEHE MONTAGEANWEISUNG 411-18564
  - 2 VERPACKUNG:  
- STECKER SET IN BLISTERVERPACKUNG VERPACKT  
- BLISTERVERPACKUNG IN KARTON VERPACKT
  - 3 RJ45 ANWENDUNG NACH IEC 60076-3-117 UND SCHNITTSTELLENMASSE
  - 4 NICHT DARGESTELLT

DIMENSION IN ASSEMBLED CONDITION  
MASSE IM ASSEMBLIERTEN ZUSTAND  
SCALE / M 3:2



Size ISO 14405 (E)

4-2120864-1		<b>TE ORDER-NO. BESTELL-NR.</b>						
-	-	1	5	BLISTER PACKAGE BLISTERVERPACKUNG	4	-	-	
-	-	1	4	INSTRUCTION SHEET MONTAGEANWEISUNG	1 4	-	-	
-	-	1	3	PUSH PULL, SUB-ASSY PUSH PULL, SUB-ASSY		3-5 µm Ni OVER 8 µm Cu	ZP0410 DIN 12833	
-	-	1	2	CORE 4POS. ASSY KERN 4POL. ASSY		-	-	
-	-	1	1	ADAPTER RJ45, CAT5e, VARIANTE 14, PLUG ADAPTER RJ45, CAT5e, VARIANTE 14, STECKER		BLACK SCHWARZ	PBT-GF20	
QUANTITY STÜCK	ITEM-NO. POS.	DESCRIPTION BENENNUNG		SURFACE OBERFLÄCHE	MATERIAL			
				COLOUR/FARBE				
THIS DRAWING IS A CONTROLLED DOCUMENT. DIMENSIONING AND TOLERANCING PER GPS (ISO STANDARDS)				DWN S. HASS 20SEP2013	<b>STE</b> TE Connectivity			
DIMENSIONS: MASSEINHEITEN: (MM)				CHK M. STRELOW 20SEP2013				
TOLERANCES UNLESS OTHERWISE SPECIFIED: ALLGEMEINTOLERANZEN				APVD C. SCHREITLINGER 20SEP2013				
		0 PLC ±0.2 1 PLC ±0.2 2 PLC ±0.2 3 PLC ± 4 PLC ± ANGLES/WINKEL ±2° FINISH/OBERFLÄCHE/FARBE		PRODUCT SPEC PRODUKTSPEZ. 108-94207	NAME VARIANTE 14, PLUG METAL VARIANTE 14, PLUG METALL RJ45, CAT5e, 4POS		RESTRICTED TO NUR FUER	
MATERIAL	-	WEIGHT GEWICHT	78.6g	SIZE A2	CAGE CODE 00779	DRAWING NO ZEICHNUNGS-NR. C-2120864	-	
Customer Drawing				/KUNDENZEICHNUNG		SCALE MASSSTAB 2:1	SHEET BLATT 5 OF 5	REV A2