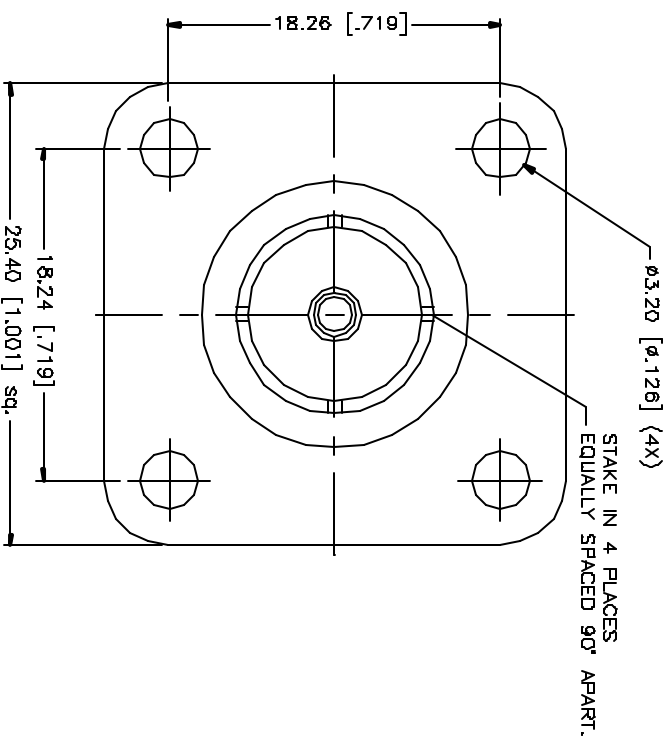
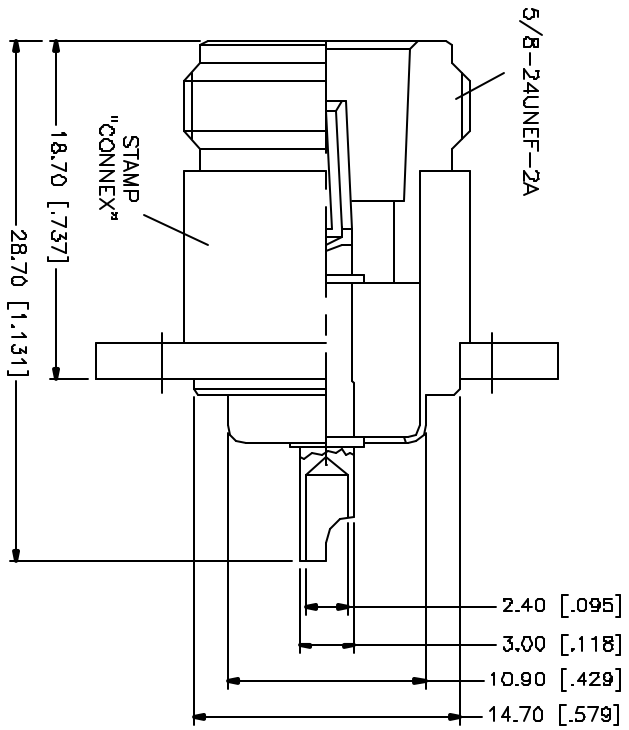


REV.	DATE	DESCRIPTION
A	05/01/04	UPDATE DRAWING FORMAT



REV.	DATE	DESCRIPTION
A	05/01/04	UPDATE DRAWING FORMAT

1	CONTRACT FIN	PHOS. BRONZE	GOLD	1	<p>UNLESS OTHERWISE SPECIFIED DIMENSIONS ARE IN INCHES AND THE DECIMAL FRACTION SHALL BE IN MILLIMETERS FOR MILLIMETER DIMS.</p> <p>UNLESS OTHERWISE SPECIFIED TOLERANCES FOR HOLE DIAM. ARE:</p> <p>0.15 - 30mm ± 0.20mm</p> <p>30 - 120mm ± 0.50mm</p> <p>UNLESS OTHERWISE SPECIFIED TOLERANCES FOR HOLE DIA. ARE:</p> <p>0.20 - .315 = ± 0.007"</p> <p>.315 - 1.180 = ± 0.015"</p> <p>1.180 - 4.724 = ± 0.030"</p> <p>DO NOT SCALE DRAWINGS</p>
2	INSULATOR	TEFLON	NATURAL	1	
1	BODY	BRASS	NECOCOTE	1	
	DESCRIPTION	MATERIAL	FINISH	QTY	

APPROVALS	DATE
DRAWN G.R.S.	05/01/04

CAD FILE	DWG. NO.	REV.	SIZE	SCALE
C:/172/172210.DWG	172210.DWG	A	A	NA

PART DESCRIPTION	PART NO.
N PANEL RECEPT, CAPTIVE CENTER CONTACT	172210

**Amphenol Connex**