

To our customers,

Old Company Name in Catalogs and Other Documents

On April 1st, 2010, NEC Electronics Corporation merged with Renesas Technology Corporation, and Renesas Electronics Corporation took over all the business of both companies. Therefore, although the old company name remains in this document, it is a valid Renesas Electronics document. We appreciate your understanding.

Renesas Electronics website: <http://www.renesas.com>

April 1st, 2010
Renesas Electronics Corporation

Issued by: Renesas Electronics Corporation (<http://www.renesas.com>)

Send any inquiries to <http://www.renesas.com/inquiry>.

Notice

1. All information included in this document is current as of the date this document is issued. Such information, however, is subject to change without any prior notice. Before purchasing or using any Renesas Electronics products listed herein, please confirm the latest product information with a Renesas Electronics sales office. Also, please pay regular and careful attention to additional and different information to be disclosed by Renesas Electronics such as that disclosed through our website.
2. Renesas Electronics does not assume any liability for infringement of patents, copyrights, or other intellectual property rights of third parties by or arising from the use of Renesas Electronics products or technical information described in this document. No license, express, implied or otherwise, is granted hereby under any patents, copyrights or other intellectual property rights of Renesas Electronics or others.
3. You should not alter, modify, copy, or otherwise misappropriate any Renesas Electronics product, whether in whole or in part.
4. Descriptions of circuits, software and other related information in this document are provided only to illustrate the operation of semiconductor products and application examples. You are fully responsible for the incorporation of these circuits, software, and information in the design of your equipment. Renesas Electronics assumes no responsibility for any losses incurred by you or third parties arising from the use of these circuits, software, or information.
5. When exporting the products or technology described in this document, you should comply with the applicable export control laws and regulations and follow the procedures required by such laws and regulations. You should not use Renesas Electronics products or the technology described in this document for any purpose relating to military applications or use by the military, including but not limited to the development of weapons of mass destruction. Renesas Electronics products and technology may not be used for or incorporated into any products or systems whose manufacture, use, or sale is prohibited under any applicable domestic or foreign laws or regulations.
6. Renesas Electronics has used reasonable care in preparing the information included in this document, but Renesas Electronics does not warrant that such information is error free. Renesas Electronics assumes no liability whatsoever for any damages incurred by you resulting from errors in or omissions from the information included herein.
7. Renesas Electronics products are classified according to the following three quality grades: “Standard”, “High Quality”, and “Specific”. The recommended applications for each Renesas Electronics product depends on the product’s quality grade, as indicated below. You must check the quality grade of each Renesas Electronics product before using it in a particular application. You may not use any Renesas Electronics product for any application categorized as “Specific” without the prior written consent of Renesas Electronics. Further, you may not use any Renesas Electronics product for any application for which it is not intended without the prior written consent of Renesas Electronics. Renesas Electronics shall not be in any way liable for any damages or losses incurred by you or third parties arising from the use of any Renesas Electronics product for an application categorized as “Specific” or for which the product is not intended where you have failed to obtain the prior written consent of Renesas Electronics. The quality grade of each Renesas Electronics product is “Standard” unless otherwise expressly specified in a Renesas Electronics data sheets or data books, etc.
 - “Standard”: Computers; office equipment; communications equipment; test and measurement equipment; audio and visual equipment; home electronic appliances; machine tools; personal electronic equipment; and industrial robots.
 - “High Quality”: Transportation equipment (automobiles, trains, ships, etc.); traffic control systems; anti-disaster systems; anti-crime systems; safety equipment; and medical equipment not specifically designed for life support.
 - “Specific”: Aircraft; aerospace equipment; submersible repeaters; nuclear reactor control systems; medical equipment or systems for life support (e.g. artificial life support devices or systems), surgical implantations, or healthcare intervention (e.g. excision, etc.), and any other applications or purposes that pose a direct threat to human life.
8. You should use the Renesas Electronics products described in this document within the range specified by Renesas Electronics, especially with respect to the maximum rating, operating supply voltage range, movement power voltage range, heat radiation characteristics, installation and other product characteristics. Renesas Electronics shall have no liability for malfunctions or damages arising out of the use of Renesas Electronics products beyond such specified ranges.
9. Although Renesas Electronics endeavors to improve the quality and reliability of its products, semiconductor products have specific characteristics such as the occurrence of failure at a certain rate and malfunctions under certain use conditions. Further, Renesas Electronics products are not subject to radiation resistance design. Please be sure to implement safety measures to guard them against the possibility of physical injury, and injury or damage caused by fire in the event of the failure of a Renesas Electronics product, such as safety design for hardware and software including but not limited to redundancy, fire control and malfunction prevention, appropriate treatment for aging degradation or any other appropriate measures. Because the evaluation of microcomputer software alone is very difficult, please evaluate the safety of the final products or system manufactured by you.
10. Please contact a Renesas Electronics sales office for details as to environmental matters such as the environmental compatibility of each Renesas Electronics product. Please use Renesas Electronics products in compliance with all applicable laws and regulations that regulate the inclusion or use of controlled substances, including without limitation, the EU RoHS Directive. Renesas Electronics assumes no liability for damages or losses occurring as a result of your noncompliance with applicable laws and regulations.
11. This document may not be reproduced or duplicated, in any form, in whole or in part, without prior written consent of Renesas Electronics.
12. Please contact a Renesas Electronics sales office if you have any questions regarding the information contained in this document or Renesas Electronics products, or if you have any other inquiries.

(Note 1) “Renesas Electronics” as used in this document means Renesas Electronics Corporation and also includes its majority-owned subsidiaries.

(Note 2) “Renesas Electronics product(s)” means any product developed or manufactured by or for Renesas Electronics.

1. Overview

The M16C/28 Group (M16C/28 and M16C/28B) MCU are single-chip control MCU, fabricated using high-performance silicon gate CMOS technology with the M16C/60 series CPU core. The M16C/28 Group (M16C/28 and M16C/28B) are housed in 64-pin and 80-pin plastic molded LQFP packages and also in 85-pin plastic molded TFLGA (Thin Fine Pitch Land Grid Array) package. With a 1-Mbyte address space, this MCU combines advanced instruction manipulation capabilities to process complex instructions by less bytes and execute instructions at higher speed. It includes a multiplier and DMAC adequate for office automation, communication devices and other high-speed processing applications.

The M16C/28 has Normal-ver., T-ver., and V-ver.. The M16C/28B has Normal-ver. only.

This hardware manual describes the Normal-ver. only. Please contact Renesas Technology Corp. for T-ver./V-ver. information.

1.1 Applications

Audio, cameras, office equipment, communication equipment, portable equipment, home appliances (inverter solution), motor control, industrial equipment, etc.

1.2 Performance Overview

Table 1.1 and **1.2** outline performance overview of the M16C/28 Group (M16C/28, M16C/28B).

Table 1.1 M16C/28 Group (M16C/28, M16C/28) Performance (80/85-Pin Package)

	Item	Performance
CPU	Number of basic instructions	91 instructions
	Minimum instruction execution time	41.7 ns (f(BCLK) = 24 MHz, Vcc = 4.2 V to 5.5 V) (M16C/28B) 50 ns (f(BCLK) = 20 MHz, Vcc = 3.0 V to 5.5 V) (M16C/28, M16C/28B) 100 ns (f(BCLK) = 10 MHz, Vcc = 2.7 V to 5.5 V) (M16C/28, M16C/28B)
	Operation mode	Single chip mode
	Address space	1M bytes
	Memory capacity	See Table 1.3
Peripheral Function	I/O port	Input/Output : 71 lines
	Multifunction timer	TimerA:16 bits x 5 channels, TimerB:16 bits x 3 channels Three-phase Motor Control Timer TimerS (Input Capture/Output Compare) : 16bit base timer x 1 channel (Input/Output x 8 channels)
	Serial I/O	2 channels (UART0, UART1) UART, clock synchronous 1 channel (UART2) UART, clock synchronous, I ² C bus ⁽¹⁾ , or IEBus ⁽²⁾ 2 channels (SI/O3, SI/O4) Clock synchronous 1 channel (Multi-Master I ² C bus ⁽¹⁾)
	A/D converter	10 bits x 24 channels
	DMAC	2 channels
	Watchdog timer	15 bits x 1 (with prescaler)
	Interrupt	25 internal and 8 external sources, 4 software sources, 7 levels
	Clock generation circuit	4 circuits • Main clock (*) • Sub-clock (*) • On-chip oscillator • PLL frequency synthesizer (*) Equipped with a built-in feedback resistor
	Oscillation Stop Detect Function	Main clock oscillation stop, re-oscillation detect function
	Voltage detection circuit	Available
Electrical Characteristics	Power supply voltage	Vcc = 4.2 V to 5.5 V (f(BCLK) = 24 MHz) (M16C/28B) Vcc = 3.0 V to 5.5 V (f(BCLK) = 20 MHz) (M16C/28, M16C/28B) Vcc = 2.7 V to 5.5 V (f(BCLK) = 10 MHz) (M16C/28, M16C/28B)
	Power consumption	16 mA (Vcc = 5V, f(BCLK) = 20 MHz) 25 μ A (f(XCIN) = 32 KHz on RAM) 3.0 μ A (Vcc = 3V, f(XCIN) = 32 KHz, in wait mode) 0.7 μ A (Vcc = 3V, in stop mode)
Flash Memory	Program/erase supply voltage	2.7 V to 5.5 V
	Program and erase endurance	100 times (all space) or 1,000 times (Blocks 0 to 5) /10,000 times (Block A, Block B ⁽³⁾)
Operating Ambient Temperature		-20 to 85°C/-40 to 85°C ⁽³⁾
Package		80-pin plastic mold LQFP, 85-pin plastic mold TFLGA

NOTES:

- I²C bus is a trademark of Koninklijke Philips Electronics N. V.
- IEBus is a trademark of NEC Electronics Corporation.
- Refer to **Table 1.5** to **1.7** for number of program/erase.
- Use PLL frequency synthesizer to use M16C/28B at f(BCLK) = 24 MHz.

Table 1.2 M16C/28 Group (M16C/28, M16C/28B) (64-Pin Package)

	Item	Performance
CPU	Number of basic instructions	91 instructions
	Minimum instruction execution time	41.7 ns (f(BCLK) = 24 MHz, VCC = 4.2 V to 5.5 V) (M16C/28B) 50 ns (f(BCLK) = 20 MHz, VCC = 3.0V to 5.5V) (M16C/28, M16C/28B) 100 ns (f(BCLK) = 10 MHz, VCC = 2.7V to 5.5V) (M16C/28, M16C/28B)
	Operation mode	Single chip mode
	Address space	1M bytes
	Memory capacity	See Table 1.3
Peripheral Function	I/O Port	Input/Output : 55 lines
	Multifunction timer	TimerA:16 bits x 5 channels, TimerB:16 bits x 3 channels Three-phase Motor Control Timer TimerS (Input Capture/Output Compare) : 16bit base timer x 1 channel (Input/Output x 8 channels)
	Serial I/O	2 channels (UART0, UART1) UART, clock synchronous 1 channel (UART2) UART, clock synchronous, I ² C bus ⁽¹⁾ , or IEBus ⁽²⁾ 1 channels (SI/O3, SI/O4) Clock synchronous 1 channel (Multi-Master I ² C bus ⁽¹⁾)
	A/D converter	10 bits x 13 channels
	DMAC	2 channels
	Watchdog timer	15 bits x 1 (with prescaler)
	Interrupt	24 internal and 8 external sources, 4 software sources, 7 levels
	Clock generation circuit	4 circuits • Main clock(*) • Sub-clock(*) • On-chip oscillator • PLL frequency synthesizer (*) Equipped with a built-in feedback resistor
	Oscillation Stop Detect Function	Main clock oscillation stop, re-oscillation detect function
	Voltage detection circuit	Available
Electrical Characteristics	Power supply voltage	Vcc = 4.2 V to 5.5 V (f(BCLK) = 24 MHz) (M16C/28) Vcc = 3.0 V to 5.5 V (f(BCLK) = 20 MHz) (M16C/28, M16C/28B) Vcc = 2.7 V to 5.5 V (f(BCLK) = 10 MHz) (M16C/28, M16C/28B)
	Power consumption	16 mA (Vcc = 5 V, f(BCLK) = 20 MHz) 25 μA (f(XCIN) = 32 KHz on RAM) 3.0 μA (Vcc = 3 V, f(XCIN) = 32 KHz, in wait mode) 0.7 μA (Vcc = 3 V, in stop mode)
Flash Memory	Program/erase supply voltage	2.7 V to 5.5 V
	Program and erase endurance	100 times (all space) or 1,000 times (Blocks 0 to 5) /10,000 times (Block A, Block B ⁽³⁾)
Operating Ambient Temperature		-20 to 85C°/-40 to 85C° ⁽³⁾
Package		64-pin plastic mold LQFP

NOTES:

1. I²C bus is a trademark of Koninklijke Philips Electronics N. V.
2. IEBus is a trademark of NEC Electronics Corporation.
3. Refer to **Table 1.5 to 1.7** for number of program/erase.
4. Use PLL frequency synthesizer to use M16C/28B at f(BCLK) = 24 MHz.

1.3 Block Diagram

Figure 1.1 is a block diagram of the M16C/28 Group (M16C/28, M16C/28B), 80-pin and 85-pin package.
 Figure 1.2 is a block diagram of the M16C/28 Group (M16C/28, M16C/28B), 64-pin package.

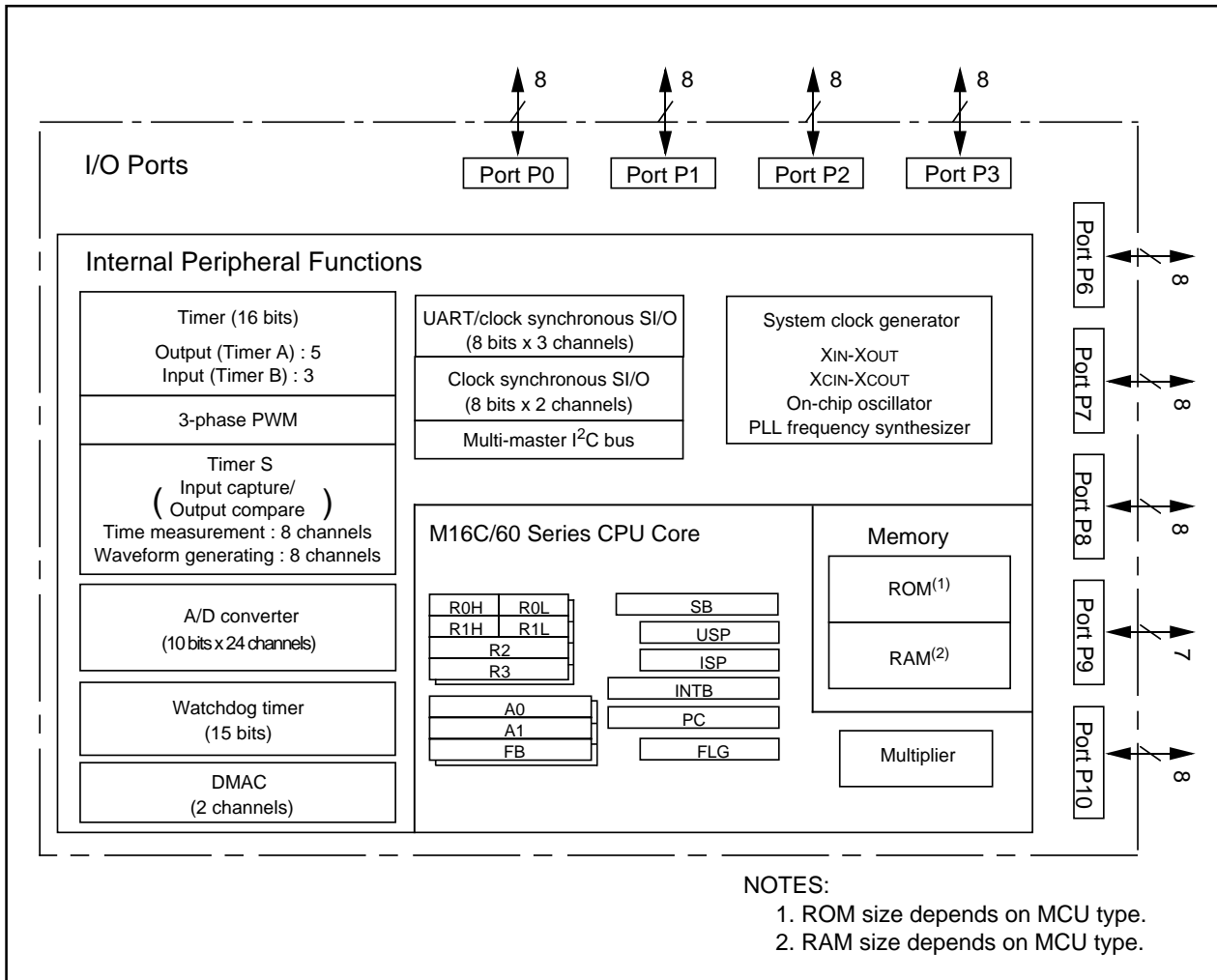


Figure 1.1 M16C/28 Group (M16C/28, M16C/28B), 80-Pin/85-Pin Block Diagram

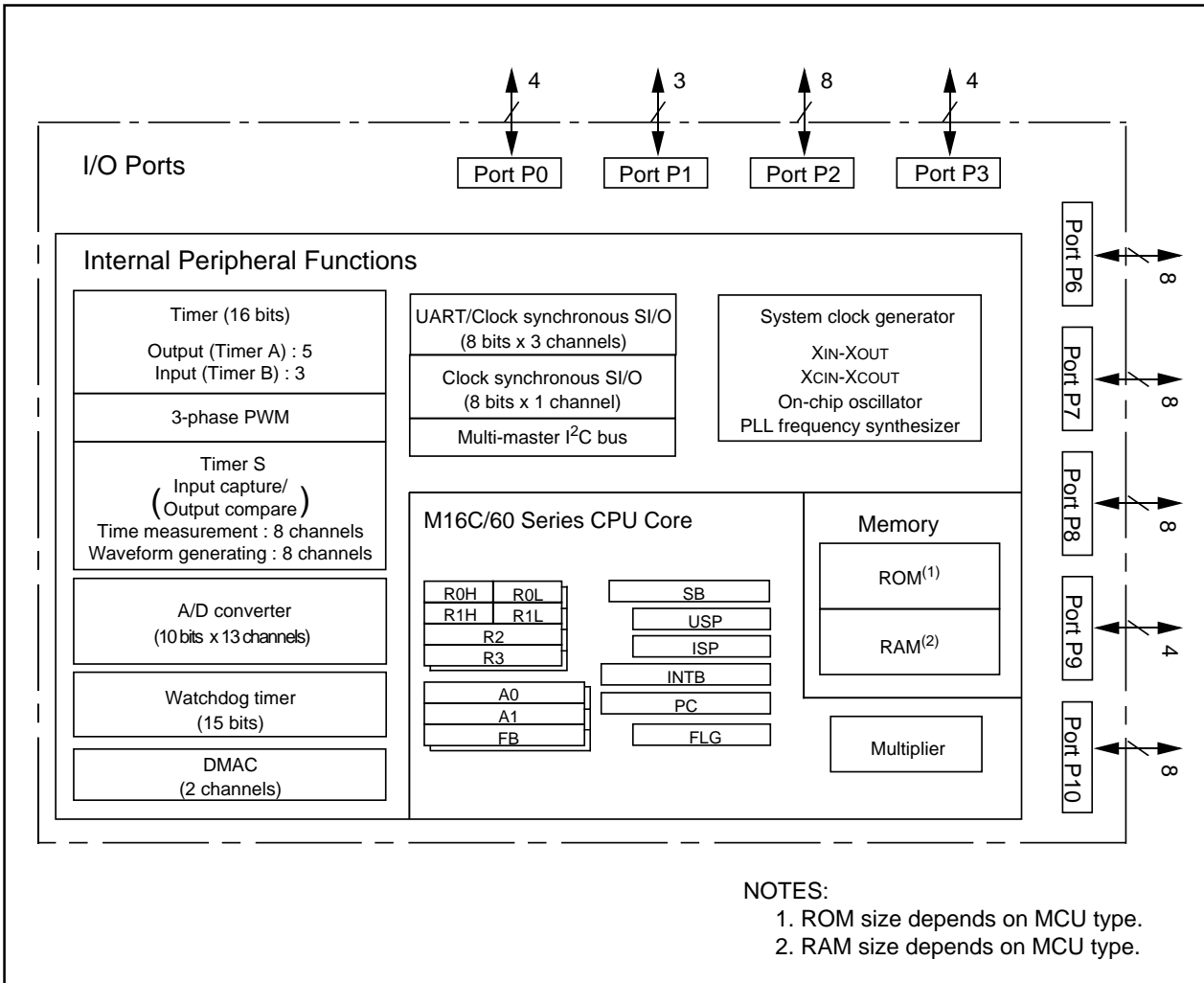


Figure 1.2 M16C/28 Group (M16C/28, M16C/28B), 64-Pin Block Diagram

1.4 Product Information

Tables 1.3 and 1.4 list the M16C/28 Group product information and Figure 1.3 shows the product numbering system. The specifications are partially different between normal-ver. and T/ V-ver..

Table 1.3 M16C/28 Product List -Normal-ver.

As of September, 2006

Type Number	ROM Capacity	RAM Capacity	Package Type	Remarks	Product Code		
M30280F6WG (N)	48 K + 4 K	4 K	PTLG0085JB-A (85F0G)	Flash Memory	U3, U5, U7, U9		
M30280F8WG (N)	64 K + 4 K	4 K					
M30280FAWG (N)	96 K + 4 K	8 K					
M30280F6HP (N)	48 K + 4 K	4 K	PLQP0080KB-A (80P6Q-A)				
M30280F8HP (N)	64 K + 4 K	4 K					
M30280FAHP (N)	96 K + 4 K	8 K					
M30280FCHP (N)	128 K + 4 K	12 K	PLQP0064KB-A (64P6Q-A)				
M30281F6HP (N)	48 K + 4 K	4 K					
M30281F8HP (N)	64 K + 4 K	4 K					
M30281FAHP (N)	96 K + 4 K	8 K					
M30281FCHP (N)	128 K + 4 K	12 K	PLQP0080KB-A (80P6Q-A)			Mask ROM	U3, U5
M30280M8-XXXHP (N)	64 K	4 K					
M30280MA-XXXHP (N)	96 K	8 K					
M30280MC-XXXHP (N)	128 K	12 K					
M30281M8-XXXHP (N)	64 K	4 K					
M30281MA-XXXHP (N)	96 K	8 K					
M30281MC-XXXHP (N)	128 K	12 K	PLQP0064KB-A (64P6Q-A)				

(N): New

Table 1.4 M16C/28B Product List -Normal-ver.

As of September, 2006

Type Number	ROM Capacity	RAM Capacity	Package Type	Remarks	Product Code
M30280FCBHP (D)	128 K + 4 K	12 K	PLQP0080KB-A (80P6Q-A)	Flash memory	U7
M30281FCBHP (D)	128 K + 4 K	12 K	PLQP0064KB-A (64P6Q-A)		

(D): Under development

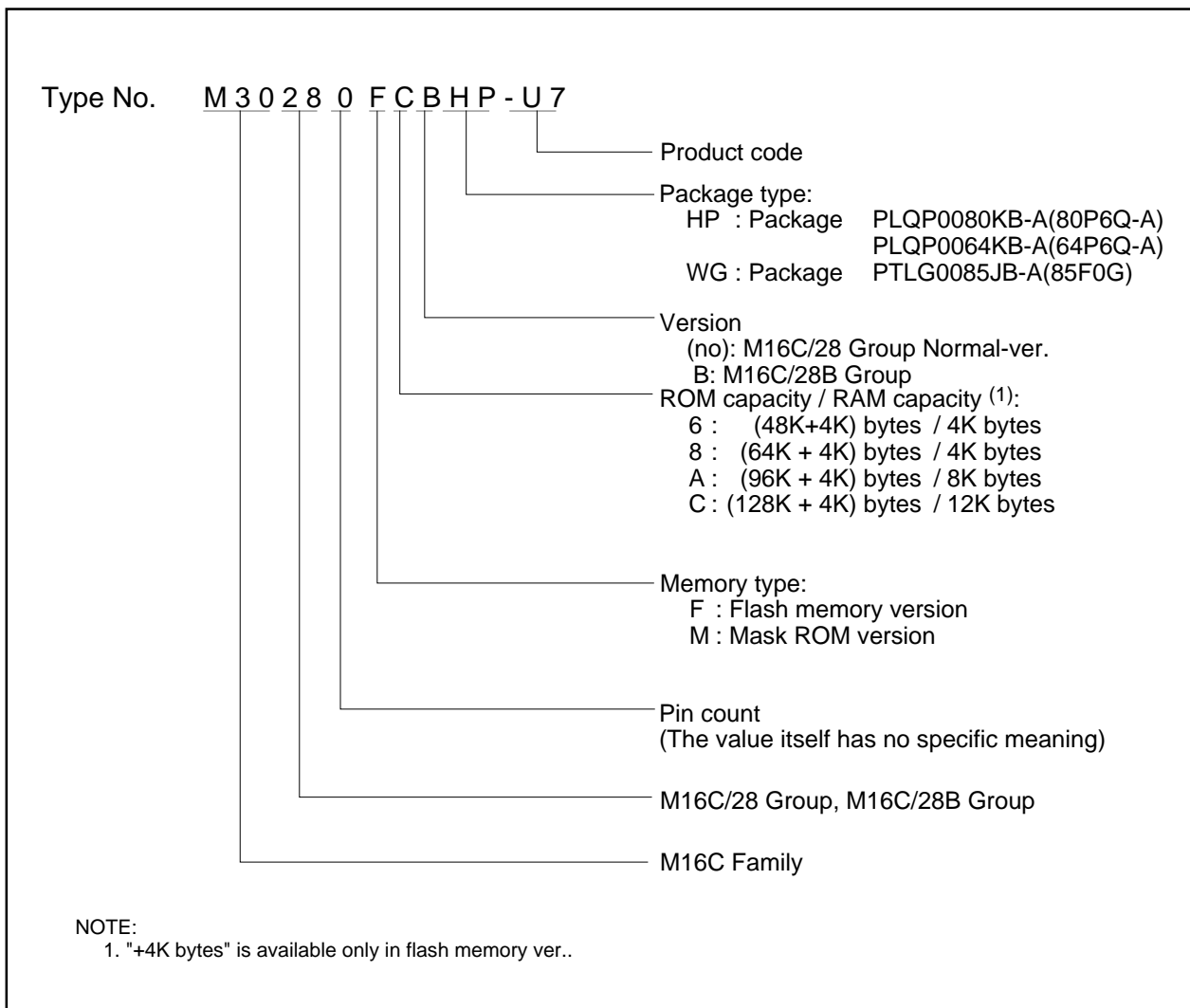


Figure 1.3 Product Numbering System

Table 1.5 Product Code (Flash Memory-ver.) - M16C/28 Normal-ver., 64-Pin⁽¹⁾/80-Pin⁽¹⁾/85-Pin Package

Product Code	Package	Internal ROM (User Program Space)		Internal ROM (Data Space)		Operating Ambient Temperature
		Program and Erase Endurance	Temperature Range	Program and Erase Endurance	Temperature Range	
U3	Lead free	100	0 to 60°C	100	0 to 60°C	-40 to 85°C
U5					-20 to 85°C	
U7		1,000		10,000	-40 to 85°C	-40 to 85°C
U9				-20 to 85°C	-20 to 85°C	

NOTE:

- The lead contained products, D3, D5, D7 and D9, are put together with U3, U5, U7 and U9 respectively. Lead-free (Sn-Ag-Cu plating) products can be mounted by both conventional Sn-Pb paste and Lead-free paste.

Table 1.6 Product Code (Flash Memory-ver.) - M16C/28B Normal-ver., 64-Pin/85-Pin Package

Product Code	Package	Internal ROM (User Program Space)		Internal ROM (Data Space)		Operating Ambient Temperature
		Program and Erase Endurance	Temperature Range	Program and Erase Endurance	Temperature Range	
U7	Lead-free	1,000	0 to 60°C	10,000	-40 to 85°C	-40 to 85°C

Table 1.7 Product Code (Mask ROM ver.) - M16C/28B Normal-ver., 64-Pin/80-Pin/85-Pin Package

Product Code	Package	Operating Ambient Temperature
U3	Lead-free	-40 to 85°C
U5		-20 to 85°C

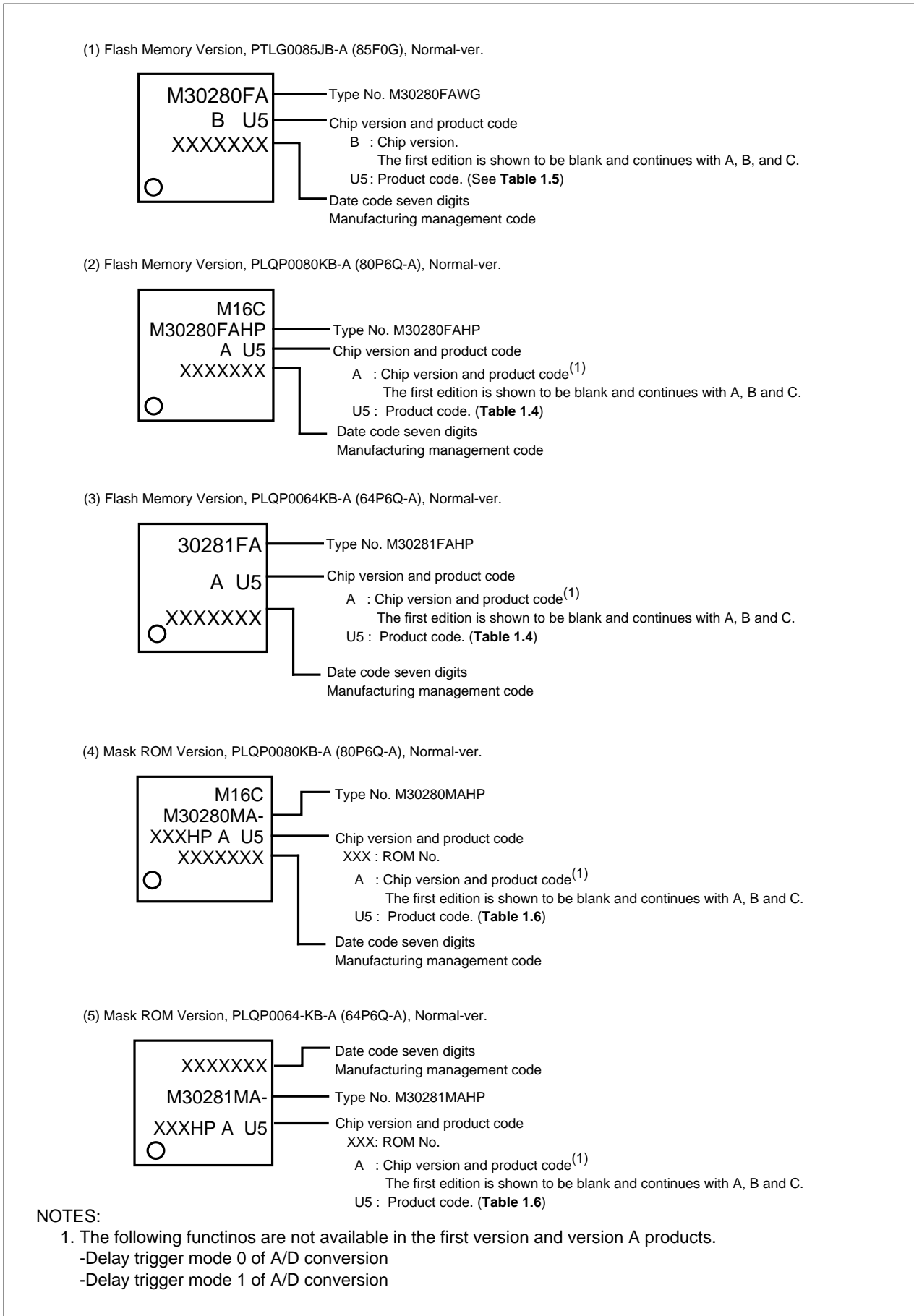
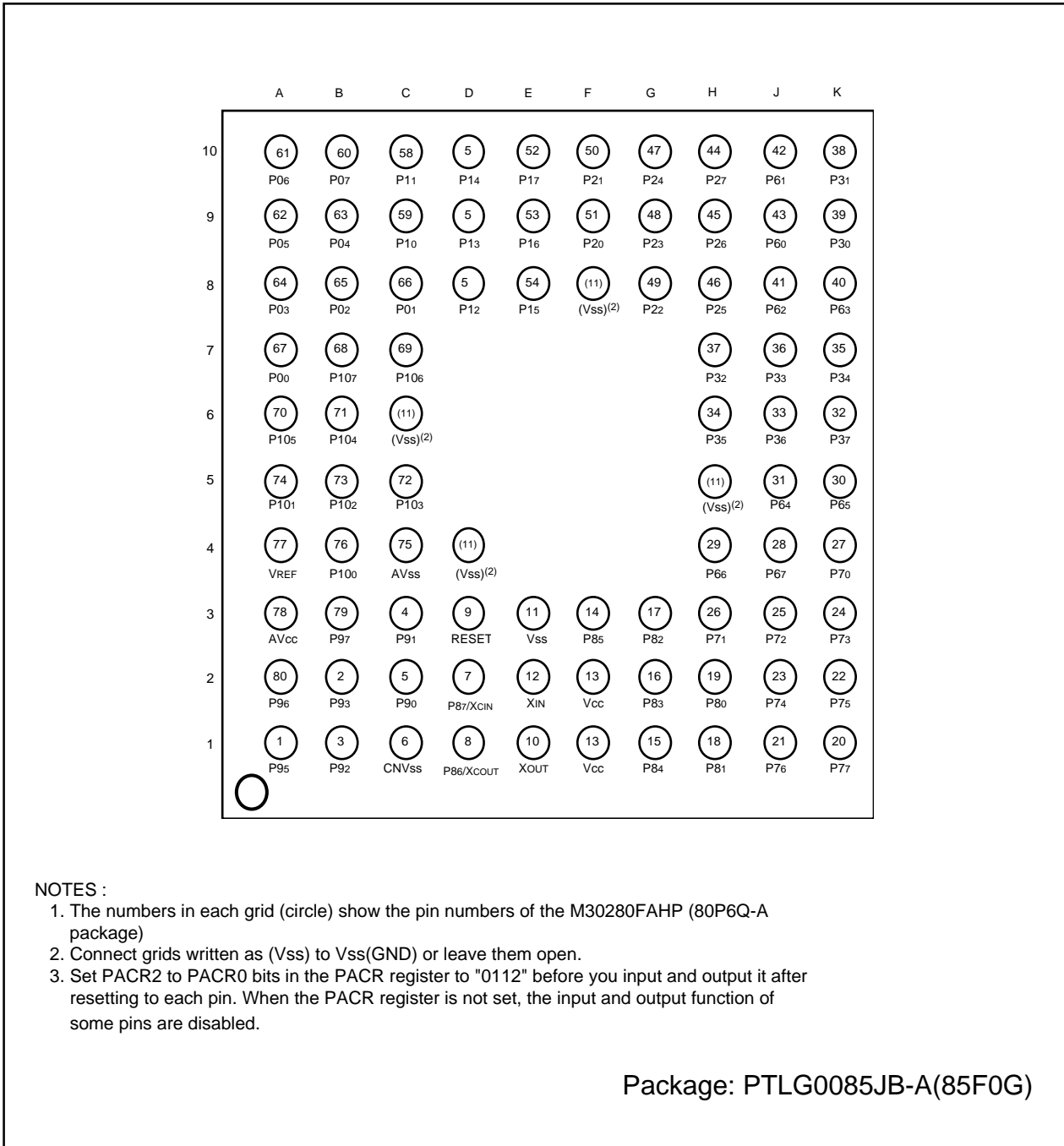


Figure 1.4 Marking Diagram-M16C/28 Normal-ver.

1.5 Pin Assignment

Figures 1.5 to 1.7 show the pin Assignments (top view).



NOTES :

1. The numbers in each grid (circle) show the pin numbers of the M30280FAHP (80P6Q-A package)
2. Connect grids written as (Vss) to Vss(GND) or leave them open.
3. Set PACR2 to PACR0 bits in the PACR register to "0112" before you input and output it after resetting to each pin. When the PACR register is not set, the input and output function of some pins are disabled.

Package: PTLG0085JB-A(85F0G)

Figure 1.5 Pin Assignment (Top View) of 85-pin Package

Table 1.8 Pin Characteristics for 85-pin Package

Pin No.	Control Pin	Port	Interrupt Pin	Timer Pin	Timer S Pin	UART Pin	Multi-master I ² C bus Pin	Analog Pin	PLQP0080KB-A Pin Number
A1		P95				CLK4		AN25	1
A2		P96				SOUT4		AN26	80
A3	AVcc								78
A4	VREF								77
A5		P101						AN1	74
A6		P105	$\overline{KI1}$					AN5	70
A7		P00						AN00	67
A8		P03						AN03	64
A9		P05						AN05	62
A10		P06						AN06	61
B1		P92		TB2IN					3
B2		P93						AN24	2
B3		P97				SIN4		AN27	79
B4		P100						AN0	76
B5		P102						AN2	73
B6		P104	$\overline{KI0}$					AN4	71
B7		P107	$\overline{KI3}$					AN7	68
B8		P02						AN02	65
B9		P04						AN04	63
B10		P07						AN07	60
C1	CNVss								6
C2		P90		TB0IN					5
C3		P91		TB1IN					4
C4	AVss								75
C5		P103						AN3	72
C6	Vss ⁽¹⁾								(11)
C7		P106	$\overline{KI2}$					AN6	69
C8		P01						AN01	66
C9		P10						AN20	59
C10		P11						AN21	58
D1	XCOUT	P86							8
D2	XCIN	P87							7
D3	\overline{RESET}								9
D4	Vss ⁽¹⁾								(11)
D8		P12						AN22	57
D9		P13						AN23	56
D10		P14							55
E1	XOUT								10
E2	XIN								12
E3	Vss								11

Table 1.8 Pin Characteristics for 85-pin Package (continued)

Pin No.	Control Pin	Port	Interrupt Pin	Timer Pin	Timer S Pin	UART Pin	Multi-master I ² C bus Pin	Analog Pin	PLQP0080KB-A Pin Number
E8		P15	$\overline{\text{INT}}_3$	IDV				ADTRG	54
E9		P16	$\overline{\text{INT}}_4$	IDW					53
E10		P17	$\overline{\text{INT}}_5$	IDU	INPC17				52
F1	Vcc								13
F2	Vcc								13
F3		P85	$\overline{\text{NMI}}$	$\overline{\text{SD}}$					14
F8	Vss ⁽¹⁾								(11)
F9		P20			OUTC10 / INPC10		SDAMM		51
F10		P21			OUTC11 / INPC11		SCLMM		50
G1		P84	$\overline{\text{INT}}_2$	ZP					15
G2		P83	$\overline{\text{INT}}_1$						16
G3		P82	$\overline{\text{INT}}_0$						17
G8		P22			OUTC12 / INPC12				49
G9		P23			OUTC13 / INPC13				48
G10		P24			OUTC14 / INPC14				47
H1		P81		TA4IN / $\overline{\text{U}}$					18
H2		P80		TA4OUT / U					19
H3		P71		TA0IN		RxD2 / SCL2 / CLK1			26
H4		P66				RxD1			29
H5	Vss ⁽¹⁾								(11)
H6		P35							34
H7		P32				SOUT3			37
H8		P25			OUTC15 / INPC15				46
H9		P26			OUTC16 / INPC16				45
H10		P27			OUTC17 / INPC17				44
J1		P76		TA3OUT					21
J2		P74		TA2OUT / W					23
J3		P72		TA1OUT / V		CLK2 / RxD1			25
J4		P67				TxD1			28
J5		P64				RTS1 / CTS1 / CTS0 / CLKS1			31
J6		P36							33
J7		P33							36
J8		P62				RxD0			41
J9		P60				$\overline{\text{RTS}}_0 / \overline{\text{CTS}}_0$			43
J10		P61				CLK0			42
K1		P77		TA3IN					20
K2		P75		TA2IN / $\overline{\text{W}}$					22
K3		P73		TA1IN / $\overline{\text{V}}$		$\overline{\text{CTS}}_2 / \overline{\text{RTS}}_2 / \overline{\text{TXD}}_1$			24
K4		P70		TA0OUT		TxD2 / SDA2 / RTS1 / CTS1 / CTS0 / CLKS1			27
K5		P65				CLK1			30
K6		P37							32
K7		P34							35
K8		P63				TxD0			40
K9		P30				CLK3			39
K10		P31				SIN3			38

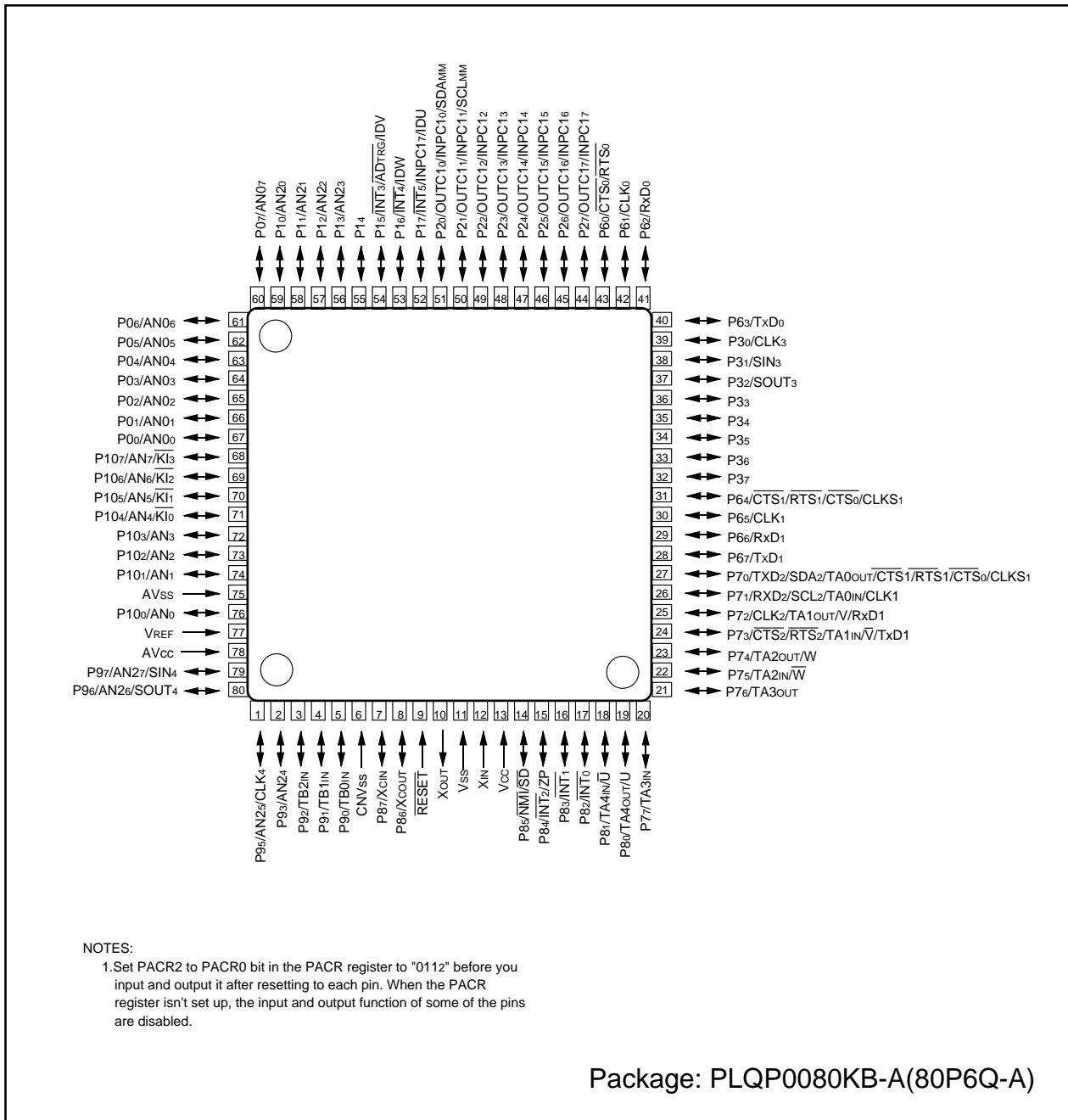


Figure 1.5 Pin Assignment (Top View) of 80-Pin Package

Table 1.9 Pin Characteristics for 80-Pin Package

Pin No.	Control Pin	Port	Interrupt Pin	Timer Pin	Timer S Pin	UART Pin	Multi-master I ² C bus Pin	Analog Pin
1		P95				CLK4		AN25
2		P93						AN24
3		P92		TB2IN				
4		P91		TB1IN				
5		P90		TB0IN				
6	CNVss							
7	XCIN	P87						
8	XCOUT	P86						
9	RESET							
10	XOUT							
11	Vss							
12	XIN							
13	Vcc							
14		P85	NMI	SD				
15		P84	INT ₂	ZP				
16		P83	INT ₁					
17		P82	INT ₀					
18		P81		TA4IN / \bar{U}				
19		P80		TA4OUT / U				
20		P77		TA3IN				
21		P76		TA3OUT				
22		P75		TA2IN / \bar{W}				
23		P74		TA2OUT / W				
24		P73		TA1IN / \bar{V}		CTS ₂ / RTS ₂ / TxD ₁		
25		P72		TA1OUT / V		CLK ₂ / RxD ₁		
26		P71		TA0IN		RxD ₂ / SCL ₂ / CLK ₁		
27		P70		TA0OUT		TxD ₂ / SDA ₂ / RTS ₁ / CTS ₁ / CTS ₀ / CLKS ₁		
28		P67				TxD ₁		
29		P66				RxD ₁		
30		P65				CLK ₁		
31		P64				RTS ₁ / CTS ₁ / CTS ₀ / CLKS ₁		
32		P37						
33		P36						
34		P35						
35		P34						
36		P33						
37		P32				SOUT ₃		
38		P31				SIN ₃		
39		P30				CLK ₃		
40		P63				TxD ₀		

Table 1.9 Pin Characteristics for 80-Pin Package (Continued)

Pin No.	Control Pin	Port	Interrupt Pin	Timer Pin	Timer S Pin	UART Pin	Multi-master I ² C bus Pin	Analog Pin
41		P62				RxD0		
42		P61				CLK0		
43		P60				$\overline{\text{RTS}}_0 / \overline{\text{CTS}}_0$		
44		P27			OUTC17 / INPC17			
45		P26			OUTC16 / INPC16			
46		P25			OUTC15 / INPC15			
47		P24			OUTC14 / INPC14			
48		P23			OUTC13 / INPC13			
49		P22			OUTC12 / INPC12			
50		P21			OUTC11 / INPC11		SCLMM	
51		P20			OUTC10 / INPC10		SDAMM	
52		P17	$\overline{\text{INT}}_5$	IDU	INPC17			
53		P16	$\overline{\text{INT}}_4$	IDW				
54		P15	$\overline{\text{INT}}_3$	IDV				$\overline{\text{ADTRG}}$
55		P14						
56		P13						AN23
57		P12						AN22
58		P11						AN21
59		P10						AN20
60		P07						AN07
61		P06						AN06
62		P05						AN05
63		P04						AN04
64		P03						AN03
65		P02						AN02
66		P01						AN01
67		P00						AN00
68		P107	$\overline{\text{KI}}_3$					AN7
69		P106	$\overline{\text{KI}}_2$					AN6
70		P105	$\overline{\text{KI}}_1$					AN5
71		P104	$\overline{\text{KI}}_0$					AN4
72		P103						AN3
73		P102						AN2
74		P101						AN1
75	AVss							
76		P100						AN0
77	VREF							
78	AVcc							
79		P97				SIN4		AN27
80		P96				SOUT4		AN26

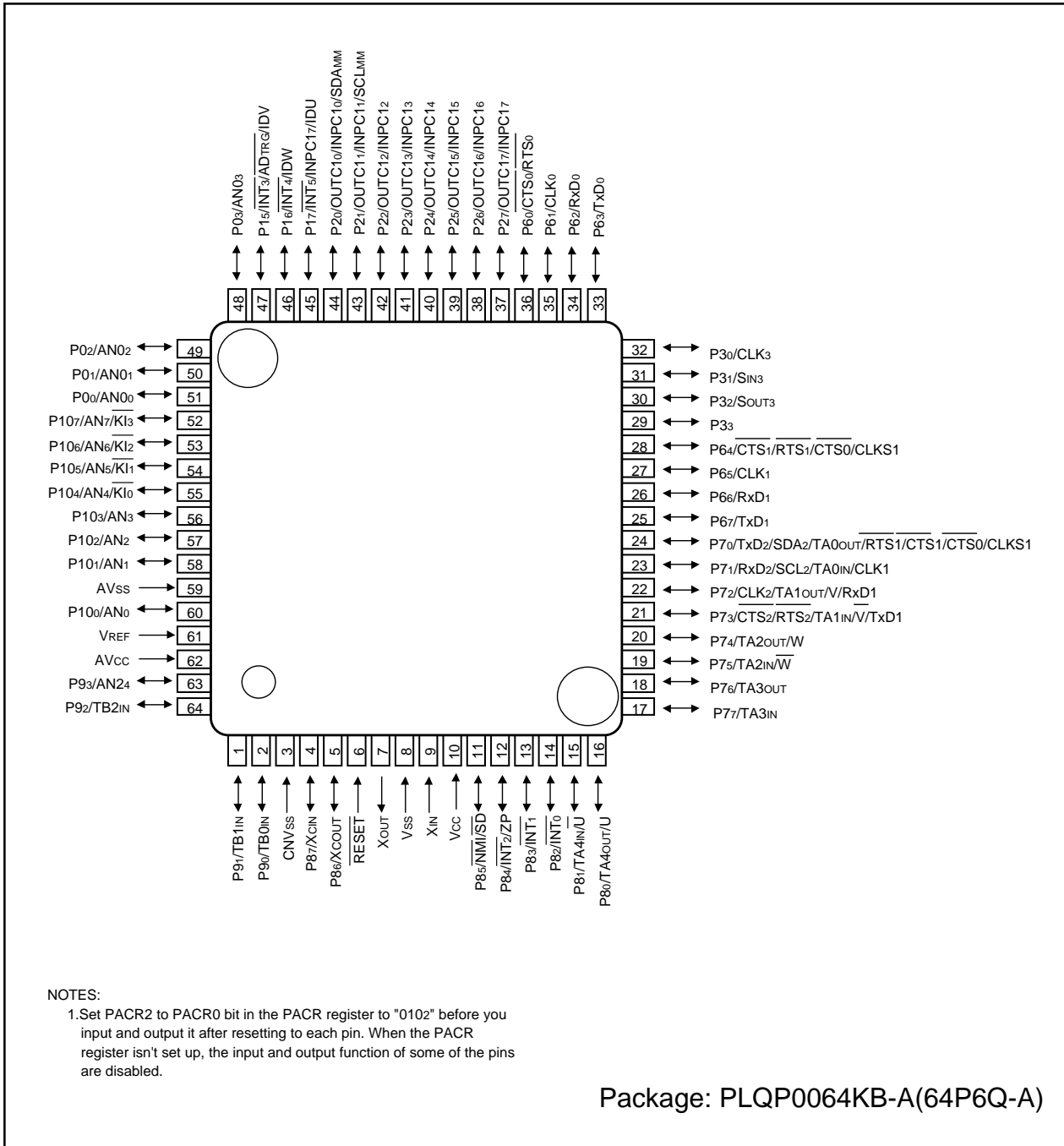


Figure 1.6 Pin Assignment (Top View) of 64-Pin Package

Table 1.10 Pin Characteristics for 64-Pin Package

Pin No.	Control Pin	Port	Interrupt Pin	Timer Pin	Timer S Pin	UART Pin	Multi-master I ² C bus Pin	Analog Pin
1		P91		TA1IN				
2		P90		TB0IN				
3	CNVss							
4	XCIN	P87						
5	XcOUT	P86						
6	RESET							
7	XOUT							
8	Vss							
9	XIN							
10	Vcc							
11		P85	NMI	SD				
12		P84	INT ₂	ZP				
13		P83	INT ₁					
14		P82	INT ₀					
15		P81		TA4IN / \bar{U}				
16		P80		TA4OUT / U				
17		P77		TA3IN				
18		P76		TA3OUT				
19		P75		TA2IN / \bar{W}				
20		P74		TA2OUT / W				
21		P73		TA1IN / \bar{V}		CTS ₂ / \bar{RTS}_2 / TxD ₁		
22		P72		TA1OUT / V		CLK ₂ / RxD ₁		
23		P71		TA0IN		RxD ₂ / SCL ₂ / CLK ₁		
24		P70		TA0OUT		TxD ₂ / SDA ₂ / \bar{RTS}_1 / CTS ₁ / \bar{CTS}_0 / CLKS ₁		
25		P67				TxD ₁		
26		P66				RxD ₁		
27		P65				CLK ₁		
28		P64				RTS ₁ / CTS ₁ / \bar{CTS}_0 / CLKS ₁		
29		P33						
30		P32				SOUT ₃		
31		P31				SIN ₃		
32		P30				CLK ₃		
33		P63				TxD ₀		
34		P62				RxD ₀		
35		P61				CLK ₀		
36		P60				\bar{RTS}_0 / \bar{CTS}_0		
37		P27			OUTC ₁₇ / INPC ₁₇			
38		P26			OUTC ₁₆ / INPC ₁₆			
39		P25			OUTC ₁₅ / INPC ₁₅			
40		P24			OUTC ₁₄ / INPC ₁₄			

Table 10 Pin Characteristics for 64-Pin Package (Continued)

Pin No.	Control Pin	Port	Interrupt Pin	Timer Pin	Timer S Pin	UART Pin	Multi-master I ² C bus Pin	Analog Pin
41		P23			OUTC13 / INPC13			
42		P22			OUTC12 / INPC12			
43		P21			OUTC11 / INPC11		SCLMM	
44		P20			OUTC10 / INPC10		SDAMM	
45		P17	$\overline{\text{INT}}_5$	IDU	INPC17			
46		P16	$\overline{\text{INT}}_4$	IDW				
47		P15	$\overline{\text{INT}}_3$	IDV				$\overline{\text{ADTRG}}$
48		P03						AN03
49		P02						AN02
50		P01						AN01
51		P00						AN00
52		P107	$\overline{\text{KI}}_3$					AN7
53		P106	$\overline{\text{KI}}_2$					AN6
54		P105	$\overline{\text{KI}}_1$					AN5
55		P104	$\overline{\text{KI}}_0$					AN4
56		P103						AN3
57		P102						AN2
58		P101						AN1
59	AVss							
60		P100						AN0
61	VREF							
62	AVcc							
63		P93						AN24
64		P92		TB2IN				

1.6 Pin Description

Table 1.10 Pin Description (64-Pin, 80-Pin and 85-Pin Packages)

Classification	Symbol	I/O Type	Function
Power Supply	VCC, VSS	I	Apply 2.7 to 5.5V to the VCC pin. Apply 0V to the VSS pin.
Analog Power Supply	AVCC AVSS	I	Supplies power to the A/D converter. Connect the AVCC pin to VCC and the AVSS pin to VSS.
Reset Input	RESET	I	The MCU is in a reset state when "L" is applied to the RESET pin
CNVSS	CNVSS	I	Connect the CNVSS pin to VSS.
Main Clock Input	XIN	I	I/O pins for the main clock oscillation circuit. Connect a ceramic resonator or crystal oscillator between XIN and XOUT. To apply external clock, apply it to XIN and leave XOUT open. If XIN is not used (for external oscillator or external clock) connect XIN pin to VCC and leave XOUT open.
Main Clock Output	XOUT	O	
Sub Clock Input	XCIN	I	I/O pins for the sub clock oscillation circuit. Connect a crystal oscillator between XCIN and XOUT.
Sub Clock Output	XOUT	O	
INT Interrupt Input	INT0 to INT5	I	Input pins for the INT interrupt. INT2 can be used for Timer A Z-phase function.
NMI Interrupt Input	NMI	I	Input pin for the NMI interrupt. NMI cannot be used as I/O port while the three-phase motor control is enabled. Apply a stable "H" to NMI after setting it's direction register to "0" when the three-phase motor control is enabled.
Key Input Interrupt	KI0 to KI3	I	Input pins for the key input interrupt
Timer A	TA0OUT to TA4OUT	I/O	I/O pins for the timer A0 to A4
	TA0IN to TA4IN	I	Input pins for the timer A0 to A4
	ZP	I	Input pin for Z-phase
Timer B	TB0IN to TB2IN	I	Input pins for the timer B0 to B2
Three-phase Motor Control Timer Output	U, \bar{U} , V, \bar{V} , W, \bar{W}	O	Output pins for the three-phase motor control timer
	IDU, IDW, IDV, SD	I/O	Input and output pins for the three-phase motor control timer
Serial I/O	CTS0 to CTS2	I	Input pins for data transmission control
	RTS0 to RTS2	O	Output pins for data reception control
	CLK0 to CLK3	I/O	Inputs and outputs the transfer clock
	RxD0 to RxD2	I	Inputs serial data
	TxD0 to TxD2	O	Outputs serial data
	CLKS1	O	Output pin for transfer clock
I ² C Mode	SDA2	I/O	Inputs and outputs serial data
	SCL2		Inputs and outputs the transfer clock
Multi-master I ² C bus	SDAMM	I/O	Inputs and outputs serial data
	SCLMM		Inputs and outputs the transfer clock
Reference Voltage Input	VREF	I	Applies reference voltage to the A/D converter
A/D Converter	AN0 to AN7 AN00 to AN03 AN24	I	Analog input pins for the A/D converter
	ADTRG		Input pin for an external A/D trigger

I : Input O : Output I/O : Input and output

Table 1.10 Pin Description (64-Pin, 80-Pin and 85-Pin Packages) (Continued)

Classification	Symbol	I/O Type	Function
Timer S	INPC10 to INPC17	I	Input pins for the time measurement function
	OUTC10 to OUTC17	O	Output pins for the waveform generating function
I/O Ports	P00 to P03 P15 to P17 P20 to P27 P30 to P33 P60 to P67 P70 to P77 P80 to P87 P100 to P107	I/O	I/O ports for CMOS. Each port can be programmed for input or output under the control of the direction register. An input port can be set, by program, for a pull-up resistor available or for no pull-up resistor available in 4-bit units
	P90 to P93	I/O	I/O ports having equivalent functions to P0

I : Input O : Output I/O : Input and output

Table 1.10 Pin Description (80-Pin and 85-Pin Packages only) (Continued)

Classification	Symbol	I/O Type	Function
Serial I/O	CLK4	I/O	Inputs and outputs the transfer clock
	SIN4	I	Inputs serial data
	SOUT4	O	Outputs serial data
A/D Converter	AN04 to AN07 AN20 to AN23 AN25 to AN27	I	Analog input pins for the A/D converter
I/O Ports	P04 to P07 P10 to P14 P34 to P37	I/O	I/O ports for CMOS. Each port can be programmed for input or output under the control of the direction register. An input port can be set, by program, for a pull-up resistor available or for no pull-up resistor available in 4-bit units
	P95 to P97	I/O	I/O ports having equivalent functions to P0

I : Input O : Output I/O : Input and output

2. Central Processing Unit (CPU)

Figure 2.1 shows the CPU registers. The register bank is comprised of 7 registers (R0, R1, R2, R3, A0, A1 and FB) out of 13 CPU registers. Two sets of register banks are provided.

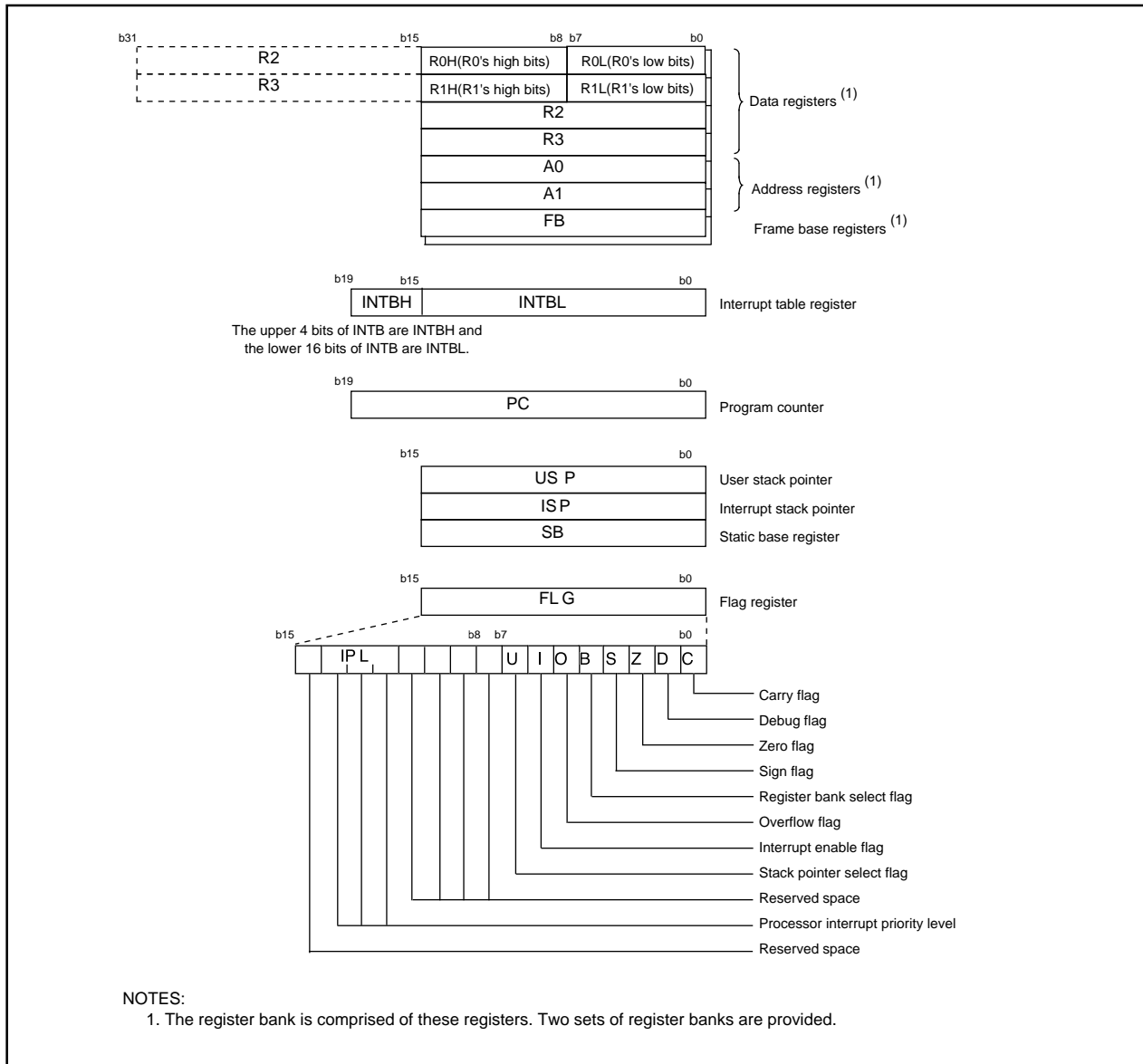


Figure 2.1 Central Processing Unit Register

2.1 Data Registers (R0, R1, R2 and R3)

The R0, R1, R2 and R3 registers are 16 bit registers for transfer and arithmetic/logic operations.

The R0 and R1 registers can be split into high-order bits(R0H, R1H) and low-order bits (R0L, R1L) to be used separately as 8-bit data registers. Conversely, R2 and R0 can be combined with R2 to be used as a 32-bit data register (R2R0). The same applies to R1 and R2.

2.2 Address Registers (A0 and A1)

The register A0 consists of 16 bits, and is used for address register indirect addressing and address register relative addressing. They also are used for transfers and arithmetic/logic operations. A1 is the same as A0. In some instructions, registers A1 and A0 can be combined for use as a 32-bit address register (A1A0).

2.3 Frame Base Register (FB)

FB is configured with 16 bits, and is used for FB relative addressing.

2.4 Interrupt Table Register (INTB)

INTB is configured with 20 bits, indicating the start address of an interrupt vector table.

2.5 Program Counter (PC)

PC is configured with 20 bits, indicating the address of an instruction to be executed.

2.6 User Stack Pointer (USP) and Interrupt Stack Pointer (ISP)

Stack pointer (SP) comes in two types: USP and ISP, each configured with 16 bits.

Your desired type of stack pointer (USP or ISP) can be selected by the U flag of FLG.

2.7 Static Base Register (SB)

SB is configured with 16 bits, and is used for SB relative addressing.

2.8 Flag Register (FLG)

FLG consists of 11 bits, indicating the CPU status.

2.8.1 Carry Flag (C Flag)

This flag retains a carry, borrow, or shift-out bit that has occurred in the arithmetic/logic unit.

2.8.2 Debug Flag (D Flag)

The D flag is used exclusively for debugging purpose. During normal use, it must be set to 0.

2.8.3 Zero Flag (Z Flag)

This flag is set to 1 when an arithmetic operation resulted in 0; otherwise, it is 0.

2.8.4 Sign Flag (S Flag)

This flag is set to 1 when an arithmetic operation resulted in a negative value; otherwise, it is 0.

2.8.5 Register Bank Select Flag (B Flag)

Register bank 0 is selected when this flag is 0 ; register bank 1 is selected when this flag is 1.

2.8.6 Overflow Flag (O Flag)

This flag is set to 1 when the operation resulted in an overflow; otherwise, it is 0.

2.8.7 Interrupt Enable Flag (I Flag)

This flag enables a maskable interrupt.

Maskable interrupts are disabled when the I flag is 0, and are enabled when the I flag is 1. The I flag is cleared to 0 when the interrupt request is accepted.

2.8.8 Stack Pointer Select Flag (U Flag)

ISP is selected when the U flag is 0; USP is selected when the U flag is 1.

The U flag is cleared to 0 when a hardware interrupt request is accepted or an INT instruction for software interrupt Nos. 0 to 31 is executed.

2.8.9 Processor Interrupt Priority Level (IPL)

IPL is configured with three bits, for specification of up to eight processor interrupt priority levels from level 0 to level 7.

If a requested interrupt has priority greater than IPL, the interrupt is enabled.

2.8.10 Reserved Area

When write to this bit, write 0. When read, its content is indeterminate.

3. Memory

Figure 3.1 is a memory map of the M16C/28 Group (M16C/28, M16C/28B). M16C/28 Group provides 1-Mbyte address space from addresses 00000₁₆ to FFFFF₁₆. The internal ROM is allocated lower addresses beginning with address FFFFF₁₆. For example, 64 Kbytes internal ROM is allocated addresses F0000₁₆ to FFFFF₁₆.

Two 2-Kbyte internal ROM areas, block A and block B, are available in the flash memory version. The blocks are allocated addresses F000₁₆ to FFFF₁₆.

The fixed interrupt vector tables are allocated addresses FFFDC₁₆ to FFFFF₁₆. It stores the starting address of each interrupt routine. See the section on interrupts for details.

The internal RAM is allocated higher addresses beginning with address 00400₁₆. For example, 4-Kbytes internal RAM is allocated addresses 00400₁₆ to 013FF₁₆. Besides storing data, it becomes stacks when the subroutine is called or an interrupt is acknowledged.

SFR, consisting of control registers for peripheral functions such as I/O port, A/D converter, serial I/O, timers is allocated addresses 00000₁₆ to 003FF₁₆. All blank spaces within SFR are reserved and cannot be accessed by users.

The special page vector table is allocated to the addresses FFE00₁₆ to FFFDB₁₆. This vector is used by the JMPS or JSRS instruction. For details, refer to the **M16C/60 and M16C/20 Series Software Manual**.

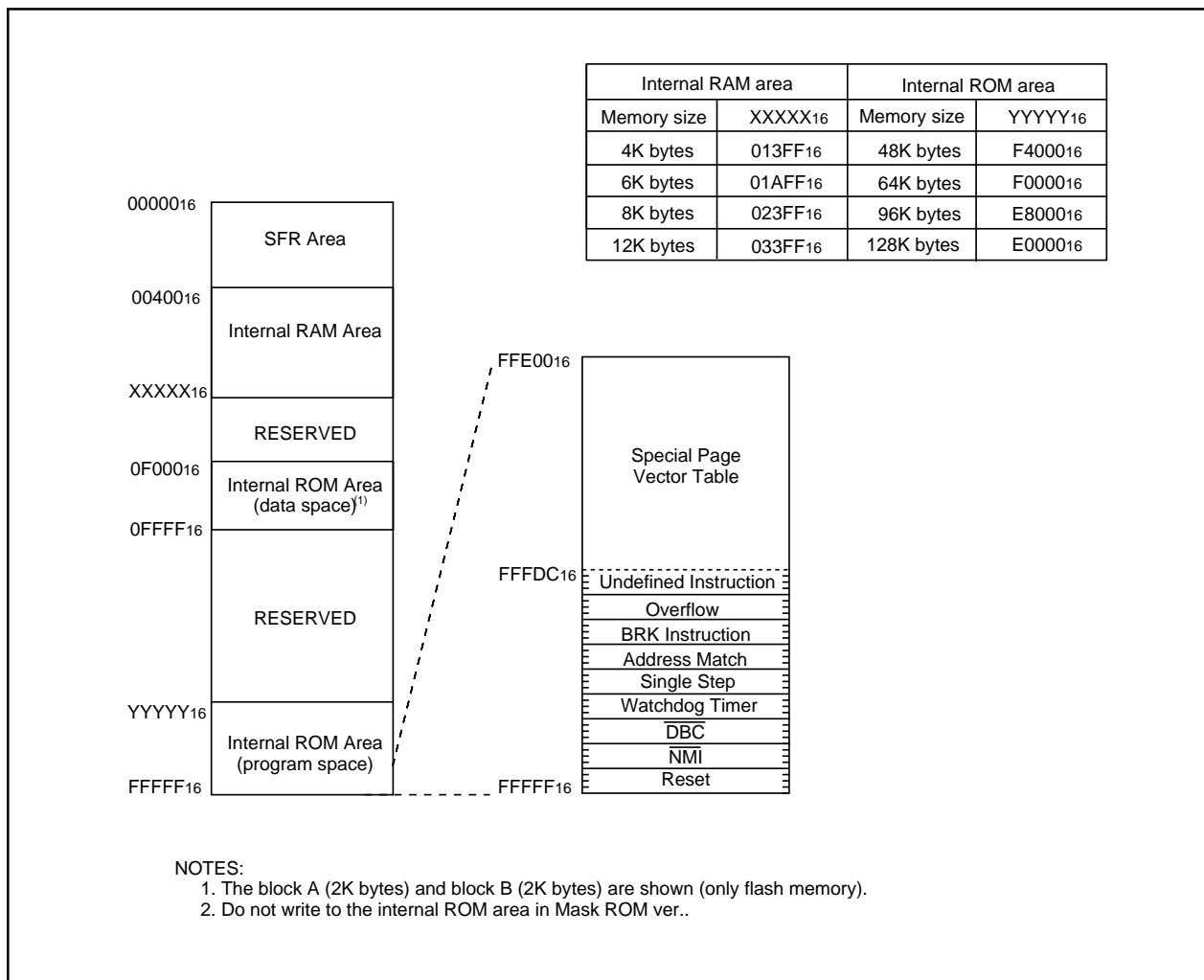


Figure 3.1 Memory Map

4. Special Function Register (SFR)

SFR (Special Function Register) is the control register of peripheral functions. **Tables 4.1 to 4.7** list the SFR information.

Table 4.1 SFR Information(1)(1)

Address	Register	Symbol	After Reset
0000 ₁₆			
0001 ₁₆			
0002 ₁₆			
0003 ₁₆			
0004 ₁₆	Processor mode register 0	PM0	0016
0005 ₁₆	Processor mode register 1	PM1	000010002
0006 ₁₆	System clock control register 0	CM0	010010002
0007 ₁₆	System clock control register 1	CM1	001000002
0008 ₁₆			
0009 ₁₆	Address match interrupt enable register	AIER	XXXXXX002
000A ₁₆	Protect register	PRCR	XX0000002
000B ₁₆			
000C ₁₆	Oscillation stop detection register ⁽²⁾	CM2	0X0000102
000D ₁₆			
000E ₁₆	Watchdog timer start register	WDTS	XX16
000F ₁₆	Watchdog timer control register	WDC	00XXXXXX2
0010 ₁₆	Address match interrupt register 0	RMAD0	0016
0011 ₁₆			0016
0012 ₁₆			X016
0013 ₁₆			
0014 ₁₆	Address match interrupt register 1	RMAD1	0016
0015 ₁₆			0016
0016 ₁₆			X016
0017 ₁₆			
0018 ₁₆			
0019 ₁₆	Voltage detection register 1 ⁽³⁾	VCR1	000010002
001A ₁₆	Voltage detection register 2 ⁽³⁾	VCR2	0016
001B ₁₆			
001C ₁₆	PLL control register 0	PLC0	0001X0102
001D ₁₆			
001E ₁₆	Processor mode register 2	PM2	XXX000002
001F ₁₆	Low voltage detection interrupt register	D4INT	0016
0020 ₁₆	DMA0 source pointer	SAR0	XX16
0021 ₁₆			XX16
0022 ₁₆			XX16
0023 ₁₆			
0024 ₁₆	DMA0 destination pointer	DAR0	XX16
0025 ₁₆			XX16
0026 ₁₆			XX16
0027 ₁₆			
0028 ₁₆	DMA0 transfer counter	TCR0	XX16
0029 ₁₆			XX16
002A ₁₆			
002B ₁₆			
002C ₁₆	DMA0 control register	DM0CON	00000X002
002D ₁₆			
002E ₁₆			
002F ₁₆			
0030 ₁₆	DMA1 source pointer	SAR1	XX16
0031 ₁₆			XX16
0032 ₁₆			XX16
0033 ₁₆			
0034 ₁₆	DMA1 destination pointer	DAR1	XX16
0035 ₁₆			XX16
0036 ₁₆			XX16
0037 ₁₆			
0038 ₁₆	DMA1 transfer counter	TCR1	XX16
0039 ₁₆			XX16
003A ₁₆			
003B ₁₆			
003C ₁₆	DMA1 control register	DM1CON	00000X002
003D ₁₆			
003E ₁₆			
003F ₁₆			

NOTES:

1. The blank spaces are reserved. No access is allowed.
2. The CM20, CM21, and CM27 bits do not change at oscillation stop detection reset.
3. This register does not change at software reset, watchdog timer reset and oscillation stop detection reset.

X : Undefined

Table 4.2 SFR Information(2)⁽¹⁾

Address	Register	Symbol	After Reset
0040 ₁₆			
0041 ₁₆			
0042 ₁₆			
0043 ₁₆			
0044 ₁₆	INT3 interrupt control register	INT3IC	XX00X0002
0045 ₁₆	IC/OC 0 interrupt control register	ICOC0IC	XXXXX0002
0046 ₁₆	IC/OC 1 interrupt control register, I ² C bus interface interrupt control register	ICOC1IC, IICIC	XXXXX0002
0047 ₁₆	IC/OC base timer interrupt control register, SCLSDA interrupt control register	BTIC, SCLDAIC	XXXXX0002
0048 ₁₆	SI/O4 interrupt control register, INT5 interrupt control register	S4IC, INT5IC	XX00X0002
0049 ₁₆	SI/O3 interrupt control register, INT4 interrupt control register	S3IC, INT4IC	XX00X0002
004A ₁₆	UART2 Bus collision detection interrupt control register	BCNIC	XXXXX0002
004B ₁₆	DMA0 interrupt control register	DM0IC	XXXXX0002
004C ₁₆	DMA1 interrupt control register	DM1IC	XXXXX0002
004D ₁₆	Key input interrupt control register	KUPIC	XXXXX0002
004E ₁₆	A/D conversion interrupt control register	ADIC	XXXXX0002
004F ₁₆	UART2 transmit interrupt control register	S2TIC	XXXXX0002
0050 ₁₆	UART2 receive interrupt control register	S2RIC	XXXXX0002
0051 ₁₆	UART0 transmit interrupt control register	S0TIC	XXXXX0002
0052 ₁₆	UART0 receive interrupt control register	S0RIC	XXXXX0002
0053 ₁₆	UART1 transmit interrupt control register	S1TIC	XXXXX0002
0054 ₁₆	UART1 receive interrupt control register	S1RIC	XXXXX0002
0055 ₁₆	Timer A0 interrupt control register	TA0IC	XXXXX0002
0056 ₁₆	Timer A1 interrupt control register	TA1IC	XXXXX0002
0057 ₁₆	Timer A2 interrupt control register	TA2IC	XXXXX0002
0058 ₁₆	Timer A3 interrupt control register	TA3IC	XXXXX0002
0059 ₁₆	Timer A4 interrupt control register	TA4IC	XXXXX0002
005A ₁₆	Timer B0 interrupt control register	TB0IC	XXXXX0002
005B ₁₆	Timer B1 interrupt control register	TB1IC	XXXXX0002
005C ₁₆	Timer B2 interrupt control register	TB2IC	XXXXX0002
005D ₁₆	INT0 interrupt control register	INT0IC	XX00X0002
005E ₁₆	INT1 interrupt control register	INT1IC	XX00X0002
005F ₁₆	INT2 interrupt control register	INT2IC	XX00X0002
0060 ₁₆			
0061 ₁₆			
0062 ₁₆			
0063 ₁₆			
0064 ₁₆			
0065 ₁₆			
0066 ₁₆			
0067 ₁₆			
0068 ₁₆			
0069 ₁₆			
006A ₁₆			
006B ₁₆			
006C ₁₆			
006D ₁₆			
006E ₁₆			
006F ₁₆			
0070 ₁₆			
0071 ₁₆			
0072 ₁₆			
0073 ₁₆			
0074 ₁₆			
0075 ₁₆			
0076 ₁₆			
0077 ₁₆			
0078 ₁₆			
0079 ₁₆			
007A ₁₆			
007B ₁₆			
007C ₁₆			
007D ₁₆			
007E ₁₆			
007F ₁₆			

Note 1: The blank spaces are reserved. No access is allowed.

X : Undefined

Table 4.3 SFR Information(3)⁽¹⁾

Address	Register	Symbol	After Reset
01B0 ₁₆			
01B1 ₁₆			
01B2 ₁₆			
01B3 ₁₆	Flash memory control register 4 ⁽²⁾	FMR4	01000002
01B4 ₁₆			
01B5 ₁₆	Flash memory control register 1 ⁽²⁾	FMR1	000XX0X2
01B6 ₁₆			
01B7 ₁₆	Flash memory control register 0 ⁽²⁾	FMR0	00000012
01B8 ₁₆			
01B9 ₁₆			
0210 ₁₆	Low-power Consumption Control 0	LPCC0	X0000012
0211 ₁₆			
0212 ₁₆			
0213 ₁₆			
0214 ₁₆			
0215 ₁₆			
0216 ₁₆			
0217 ₁₆			
0218 ₁₆			
0219 ₁₆			
0250 ₁₆			
0251 ₁₆			
0252 ₁₆			
0253 ₁₆			
0254 ₁₆			
0255 ₁₆			
0256 ₁₆			
0257 ₁₆			
0258 ₁₆			
0259 ₁₆			
025A ₁₆			
025B ₁₆			
025C ₁₆	On-chip oscillator control register	ROCR	X00001012
025D ₁₆	Pin assignment control register	PACR	0016
025E ₁₆	Peripheral clock select register	PCLKR	000000112
025F ₁₆	Low-power Consumption Control 1	LPCC1	0016
02E0 ₁₆	I ² C0 data shift register	S00	XX16
02E1 ₁₆			
02E2 ₁₆	I ² C0 address register	S0D0	0016
02E3 ₁₆	I ² C0 control register 0	S1D0	0016
02E4 ₁₆	I ² C0 clock control register	S20	0016
02E5 ₁₆	I ² C0 start/stop condition control register	S2D0	000110102
02E6 ₁₆	I ² C0 control register 1	S3D0	001100002
02E7 ₁₆	I ² C0 control register 2	S4D0	0016
02E8 ₁₆	I ² C0 status register	S10	0001000X2
02E9 ₁₆			
02EA ₁₆			
02FE ₁₆			
02FF ₁₆			

Note 1: The blank spaces are reserved. No access is allowed.

Note 2: This register is included in the flash memory version.

X : Undefined

Table 4.4 SFR Information(4)(1)

Address	Register	Symbol	After Reset
0300 ₁₆ 0301 ₁₆	TM, WG register 0	G1TM0, G1PO0	XX ₁₆ XX ₁₆
0302 ₁₆ 0303 ₁₆	TM, WG register 1	G1TM1, G1PO1	XX ₁₆ XX ₁₆
0304 ₁₆ 0305 ₁₆	TM, WG register 2	G1TM2, G1PO2	XX ₁₆ XX ₁₆
0306 ₁₆ 0307 ₁₆	TM, WG register 3	G1TM3, G1PO3	XX ₁₆ XX ₁₆
0308 ₁₆ 0309 ₁₆	TM, WG register 4	G1TM4, G1PO4	XX ₁₆ XX ₁₆
030A ₁₆ 030B ₁₆	TM, WG register 5	G1TM5, G1PO5	XX ₁₆ XX ₁₆
030C ₁₆ 030D ₁₆	TM, WG register 6	G1TM6, G1PO6	XX ₁₆ XX ₁₆
030E ₁₆ 030F ₁₆	TM, WG register 7	G1TM7, G1PO7	XX ₁₆ XX ₁₆
0310 ₁₆	WG control register 0	G1POCR0	0X00XX00 ₂
0311 ₁₆	WG control register 1	G1POCR1	0X00XX00 ₂
0312 ₁₆	WG control register 2	G1POCR2	0X00XX00 ₂
0313 ₁₆	WG control register 3	G1POCR3	0X00XX00 ₂
0314 ₁₆	WG control register 4	G1POCR4	0X00XX00 ₂
0315 ₁₆	WG control register 5	G1POCR5	0X00XX00 ₂
0316 ₁₆	WG control register 6	G1POCR6	0X00XX00 ₂
0317 ₁₆	WG control register 7	G1POCR7	0X00XX00 ₂
0318 ₁₆	TM control register 0	G1TMCR0	00 ₁₆
0319 ₁₆	TM control register 1	G1TMCR1	00 ₁₆
031A ₁₆	TM control register 2	G1TMCR2	00 ₁₆
031B ₁₆	TM control register 3	G1TMCR3	00 ₁₆
031C ₁₆	TM control register 4	G1TMCR4	00 ₁₆
031D ₁₆	TM control register 5	G1TMCR5	00 ₁₆
031E ₁₆	TM control register 6	G1TMCR6	00 ₁₆
031F ₁₆	TM control register 7	G1TMCR7	00 ₁₆
0320 ₁₆ 0321 ₁₆	Base timer register	G1BT	XX ₁₆ XX ₁₆
0322 ₁₆	Base timer control register 0	G1BCR0	00 ₁₆
0323 ₁₆	Base timer control register 1	G1BCR1	00 ₁₆
0324 ₁₆	TM prescale register 6	G1TPR6	00 ₁₆
0325 ₁₆	TM prescale register 7	G1TPR7	00 ₁₆
0326 ₁₆	Function enable register	G1FE	00 ₁₆
0327 ₁₆	Function select register	G1FS	00 ₁₆
0328 ₁₆ 0329 ₁₆	Base timer reset register	G1BTRR	XX ₁₆ XX ₁₆
032A ₁₆ 032B ₁₆ 032C ₁₆ 032D ₁₆ 032E ₁₆ 032F ₁₆	Divider register	G1DV	00 ₁₆
0330 ₁₆	Interrupt request register	G1IR	XX ₁₆
0331 ₁₆	Interrupt enable register 0	G1IE0	00 ₁₆
0332 ₁₆	Interrupt enable register 1	G1IE1	00 ₁₆
0333 ₁₆			
0334 ₁₆			
0335 ₁₆			
0336 ₁₆			
0337 ₁₆			
0338 ₁₆			
0339 ₁₆			
033A ₁₆			
033B ₁₆			
033C ₁₆			
033D ₁₆			
033E ₁₆	NMI digital debounce register	NDDR	FF ₁₆
033F ₁₆	P17 digital debounce register	P17DDR	FF ₁₆

Note 1: The blank spaces are reserved. No access is allowed.

X : Undefined

Table 4.5 SFR Information(5)(1)

Address	Register	Symbol	After Reset
0340 ₁₆			
0341 ₁₆			
0342 ₁₆	Timer A1-1 register	TA11	XX ₁₆
0343 ₁₆			XX ₁₆
0344 ₁₆	Timer A2-1 register	TA21	XX ₁₆
0345 ₁₆			XX ₁₆
0346 ₁₆	Timer A4-1 register	TA41	XX ₁₆
0347 ₁₆			XX ₁₆
0348 ₁₆	Three-phase PWM control register 0	INVC0	00 ₁₆
0349 ₁₆	Three-phase PWM control register 1	INVC1	00 ₁₆
034A ₁₆	Three-phase output buffer register 0	IDB0	00111111 ₂
034B ₁₆	Three-phase output buffer register 1	IDB1	00111111 ₂
034C ₁₆	Dead time timer	DTT	XX ₁₆
034D ₁₆	Timer B2 interrupt occurrence frequency set counter	ICTB2	XX ₁₆
034E ₁₆	Position-data-retain function control register	PDRF	XXXX0000 ₂
034F ₁₆			
0350 ₁₆			
0351 ₁₆			
0352 ₁₆			
0353 ₁₆			
0354 ₁₆			
0355 ₁₆			
0356 ₁₆			
0357 ₁₆			
0358 ₁₆			
0359 ₁₆			
035A ₁₆			
035B ₁₆			
035C ₁₆			
035D ₁₆			
035E ₁₆	Interrupt request cause select register 2	IFSR2A	00XXXXX0 ₂ (2)
035F ₁₆	Interrupt request cause select register	IFSR	00 ₁₆
0360 ₁₆	SI/O3 transmit/receive register	S3TRR	XX ₁₆
0361 ₁₆			
0362 ₁₆	SI/O3 control register	S3C	01000000 ₂
0363 ₁₆	SI/O3 bit rate generator	S3BRG	XX ₁₆
0364 ₁₆	SI/O4 transmit/receive register	S4TRR	XX ₁₆
0365 ₁₆			
0366 ₁₆	SI/O4 control register	S4C	01000000 ₂
0367 ₁₆	SI/O4 bit rate generator	S4BRG	XX ₁₆
0368 ₁₆			
0369 ₁₆			
036A ₁₆			
036B ₁₆			
036C ₁₆			
036D ₁₆			
036E ₁₆			
036F ₁₆			
0370 ₁₆			
0371 ₁₆			
0372 ₁₆			
0373 ₁₆			
0374 ₁₆	UART2 special mode register 4	U2SMR4	00 ₁₆
0375 ₁₆	UART2 special mode register 3	U2SMR3	000X0X0X ₂
0376 ₁₆	UART2 special mode register 2	U2SMR2	X0000000 ₂
0377 ₁₆	UART2 special mode register	U2SMR	X0000000 ₂
0378 ₁₆	UART2 transmit/receive mode register	U2MR	00 ₁₆
0379 ₁₆	UART2 bit rate generator	U2BRG	XX ₁₆
037A ₁₆	UART2 transmit buffer register	U2TB	XX ₁₆
037B ₁₆			XX ₁₆
037C ₁₆	UART2 transmit/receive control register 0	U2C0	00001000 ₂
037D ₁₆	UART2 transmit/receive control register 1	U2C1	00000010 ₂
037E ₁₆	UART2 receive buffer register	U2RB	XX ₁₆
037F ₁₆			XX ₁₆

Note 1: The blank spaces are reserved. No access is allowed.

Note 2: Write 1 to bit 0 after reset.

X : Undefined

Table 4.6 SFR Information(6)⁽¹⁾

Address	Register	Symbol	After Reset
0380 ₁₆	Count start flag	TABSR	0016
0381 ₁₆	Clock prescaler reset flag	CPSRF	0XXXXXX2
0382 ₁₆	One-shot start flag	ONSF	0016
0383 ₁₆	Trigger select register	TRGSR	0016
0384 ₁₆	Up-down flag	UDF	0016
0385 ₁₆			
0386 ₁₆	Timer A0 register	TA0	XX16
0387 ₁₆			XX16
0388 ₁₆	Timer A1 register	TA1	XX16
0389 ₁₆			XX16
038A ₁₆	Timer A2 register	TA2	XX16
038B ₁₆			XX16
038C ₁₆	Timer A3 register	TA3	XX16
038D ₁₆			XX16
038E ₁₆	Timer A4 register	TA4	XX16
038F ₁₆			XX16
0390 ₁₆	Timer B0 register	TB0	XX16
0391 ₁₆			XX16
0392 ₁₆	Timer B1 register	TB1	XX16
0393 ₁₆			XX16
0394 ₁₆	Timer B2 register	TB2	XX16
0395 ₁₆			XX16
0396 ₁₆	Timer A0 mode register	TA0MR	0016
0397 ₁₆	Timer A1 mode register	TA1MR	0016
0398 ₁₆	Timer A2 mode register	TA2MR	0016
0399 ₁₆	Timer A3 mode register	TA3MR	0016
039A ₁₆	Timer A4 mode register	TA4MR	0016
039B ₁₆	Timer B0 mode register	TB0MR	00XX00002
039C ₁₆	Timer B1 mode register	TB1MR	00XX00002
039D ₁₆	Timer B2 mode register	TB2MR	00XX00002
039E ₁₆	Timer B2 special mode register	TB2SC	X00000002
039F ₁₆			
03A0 ₁₆	UART0 transmit/receive mode register	U0MR	0016
03A1 ₁₆	UART0 bit rate generator	U0BRG	XX16
03A2 ₁₆	UART0 transmit buffer register	U0TB	XX16
03A3 ₁₆			XX16
03A4 ₁₆	UART0 transmit/receive control register 0	U0C0	000010002
03A5 ₁₆	UART0 transmit/receive control register 1	U0C1	000000102
03A6 ₁₆	UART0 receive buffer register	U0RB	XX16
03A7 ₁₆			XX16
03A8 ₁₆	UART1 transmit/receive mode register	U1MR	0016
03A9 ₁₆	UART1 bit rate generator	U1BRG	XX16
03AA ₁₆	UART1 transmit buffer register	U1TB	XX16
03AB ₁₆			XX16
03AC ₁₆	UART1 transmit/receive control register 0	U1C0	000010002
03AD ₁₆	UART1 transmit/receive control register 1	U1C1	000000102
03AE ₁₆	UART1 receive buffer register	U1RB	XX16
03AF ₁₆			XX16
03B0 ₁₆	UART transmit/receive control register 2	UCON	X00000002
03B1 ₁₆			
03B2 ₁₆			
03B3 ₁₆			
03B4 ₁₆			
03B5 ₁₆			
03B6 ₁₆			
03B7 ₁₆			
03B8 ₁₆	DMA0 request cause select register	DM0SL	0016
03B9 ₁₆			
03BA ₁₆	DMA1 request cause select register	DM1SL	0016
03BB ₁₆			
03BC ₁₆			
03BD ₁₆			
03BE ₁₆			
03BF ₁₆			

Note 1: The blank spaces are reserved. No access is allowed.

X : Undefined

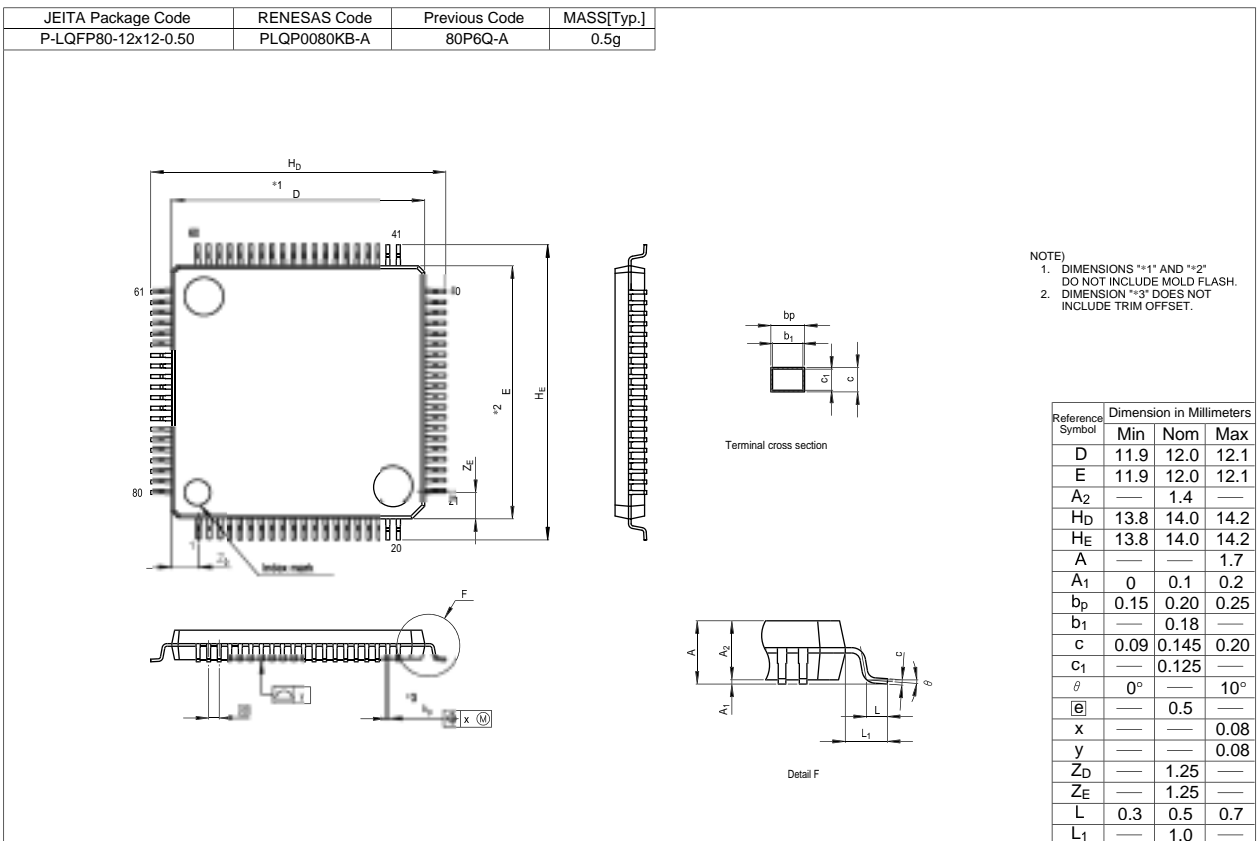
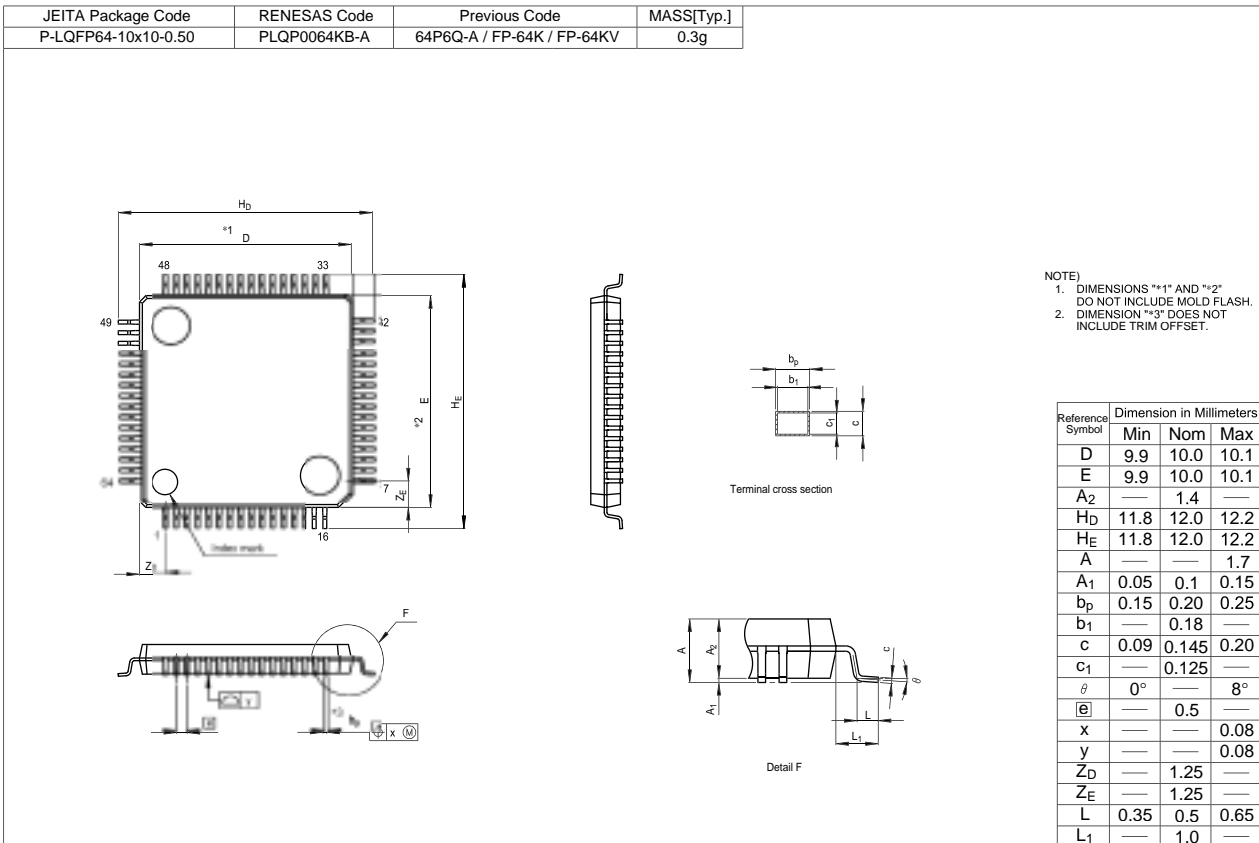
Table 4.7 SFR Information(7)(1)

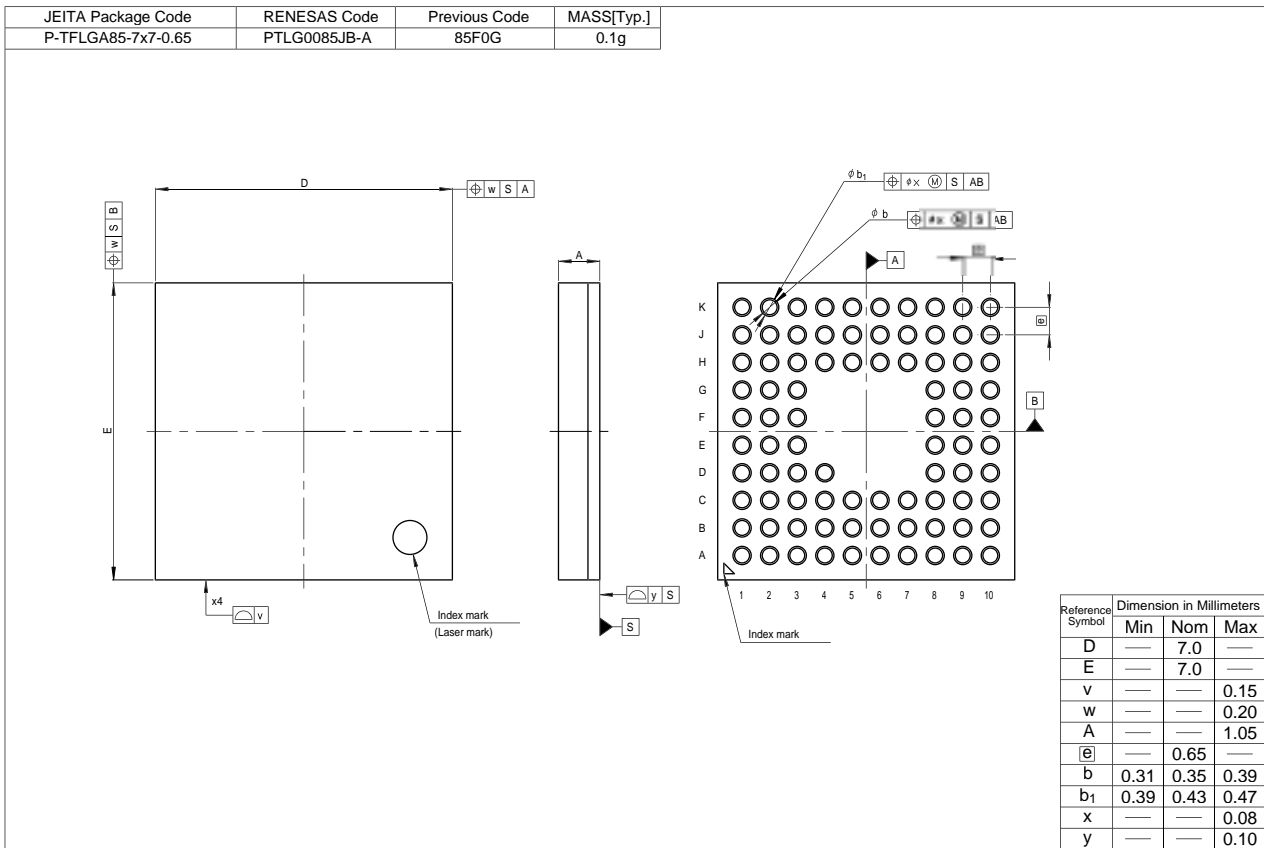
Address	Register	Symbol	After Reset
03C0 ₁₆ 03C1 ₁₆	A/D register 0	AD0	XX ₁₆ XX ₁₆
03C2 ₁₆ 03C3 ₁₆	A/D register 1	AD1	XX ₁₆ XX ₁₆
03C4 ₁₆ 03C5 ₁₆	A/D register 2	AD2	XX ₁₆ XX ₁₆
03C6 ₁₆ 03C7 ₁₆	A/D register 3	AD3	XX ₁₆ XX ₁₆
03C8 ₁₆ 03C9 ₁₆	A/D register 4	AD4	XX ₁₆ XX ₁₆
03CA ₁₆ 03CB ₁₆	A/D register 5	AD5	XX ₁₆ XX ₁₆
03CC ₁₆ 03CD ₁₆	A/D register 6	AD6	XX ₁₆ XX ₁₆
03CE ₁₆ 03CF ₁₆	A/D register 7	AD7	XX ₁₆ XX ₁₆
03D0 ₁₆ 03D1 ₁₆			
03D2 ₁₆	A/D trigger control register	ADTRGCON	00 ₁₆
03D3 ₁₆	A/D convert status register 0	ADSTAT0	00000X00 ₂
03D4 ₁₆ 03D5 ₁₆	A/D control register 2	ADCON2	00 ₁₆
03D6 ₁₆	A/D control register 0	ADCON0	00000XXX ₂
03D7 ₁₆ 03D8 ₁₆	A/D control register 1	ADCON1	00 ₁₆
03D9 ₁₆ 03DA ₁₆			
03DB ₁₆ 03DC ₁₆			
03DD ₁₆ 03DE ₁₆			
03DF ₁₆			
03E0 ₁₆	Port P0 register	P0	XX ₁₆
03E1 ₁₆	Port P1 register	P1	XX ₁₆
03E2 ₁₆	Port P0 direction register	PD0	00 ₁₆
03E3 ₁₆	Port P1 direction register	PD1	00 ₁₆
03E4 ₁₆	Port P2 register	P2	XX ₁₆
03E5 ₁₆	Port P3 register	P3	XX ₁₆
03E6 ₁₆	Port P2 direction register	PD2	00 ₁₆
03E7 ₁₆	Port P3 direction register	PD3	00 ₁₆
03E8 ₁₆ 03E9 ₁₆			
03EA ₁₆ 03EB ₁₆			
03EC ₁₆	Port P6 register	P6	XX ₁₆
03ED ₁₆	Port P7 register	P7	XX ₁₆
03EE ₁₆	Port P6 direction register	PD6	00 ₁₆
03EF ₁₆	Port P7 direction register	PD7	00 ₁₆
03F0 ₁₆	Port P8 register	P8	XX ₁₆
03F1 ₁₆	Port P9 register	P9	XX ₁₆
03F2 ₁₆	Port P8 direction register	PD8	00 ₁₆
03F3 ₁₆	Port P9 direction register	PD9	000X0000 ₂
03F4 ₁₆ 03F5 ₁₆	Port P10 register	P10	XX ₁₆
03F6 ₁₆	Port P10 direction register	PD10	00 ₁₆
03F7 ₁₆ 03F8 ₁₆			
03F9 ₁₆ 03FA ₁₆			
03FB ₁₆			
03FC ₁₆	Pull-up control register 0	PUR0	00 ₁₆
03FD ₁₆	Pull-up control register 1	PUR1	00 ₁₆
03FE ₁₆	Pull-up control register 2	PUR2	00 ₁₆
03FF ₁₆	Port control register	PCR	00 ₁₆

Note 1: The blank spaces are reserved. No access is allowed.

X : Undefined

Appendix 1. Package Dimensions





REVISION HISTORY	M16C/28 Group (M16C/28, M16C/28B) Shortsheet
-------------------------	--

Rev.	Date	Description	
		Page	Summary
0.50	09/15/06	-	First edition

Keep safety first in your circuit designs!

1. Renesas Technology Corp. puts the maximum effort into making semiconductor products better and more reliable, but there is always the possibility that trouble may occur with them. Trouble with semiconductors may lead to personal injury, fire or property damage. Remember to give due consideration to safety when making your circuit designs, with appropriate measures such as (i) placement of substitutive, auxiliary circuits, (ii) use of nonflammable material or (iii) prevention against any malfunction or mishap.

Notes regarding these materials

1. These materials are intended as a reference to assist our customers in the selection of the Renesas Technology Corp. product best suited to the customer's application; they do not convey any license under any intellectual property rights, or any other rights, belonging to Renesas Technology Corp. or a third party.
 2. Renesas Technology Corp. assumes no responsibility for any damage, or infringement of any third-party's rights, originating in the use of any product data, diagrams, charts, programs, algorithms, or circuit application examples contained in these materials.
 3. All information contained in these materials, including product data, diagrams, charts, programs and algorithms represents information on products at the time of publication of these materials, and are subject to change by Renesas Technology Corp. without notice due to product improvements or other reasons. It is therefore recommended that customers contact Renesas Technology Corp. or an authorized Renesas Technology Corp. product distributor for the latest product information before purchasing a product listed herein.
The information described here may contain technical inaccuracies or typographical errors.
Renesas Technology Corp. assumes no responsibility for any damage, liability, or other loss rising from these inaccuracies or errors.
Please also pay attention to information published by Renesas Technology Corp. by various means, including the Renesas Technology Corp. Semiconductor home page (<http://www.renesas.com>).
 4. When using any or all of the information contained in these materials, including product data, diagrams, charts, programs, and algorithms, please be sure to evaluate all information as a total system before making a final decision on the applicability of the information and products. Renesas Technology Corp. assumes no responsibility for any damage, liability or other loss resulting from the information contained herein.
 5. Renesas Technology Corp. semiconductors are not designed or manufactured for use in a device or system that is used under circumstances in which human life is potentially at stake. Please contact Renesas Technology Corp. or an authorized Renesas Technology Corp. product distributor when considering the use of a product contained herein for any specific purposes, such as apparatus or systems for transportation, vehicular, medical, aerospace, nuclear, or undersea repeater use.
 6. The prior written approval of Renesas Technology Corp. is necessary to reprint or reproduce in whole or in part these materials.
 7. If these products or technologies are subject to the Japanese export control restrictions, they must be exported under a license from the Japanese government and cannot be imported into a country other than the approved destination.
Any diversion or reexport contrary to the export control laws and regulations of Japan and/or the country of destination is prohibited.
 8. Please contact Renesas Technology Corp. for further details on these materials or the products contained therein.
-



RENESAS SALES OFFICES

<http://www.renesas.com>

Refer to "<http://www.renesas.com/en/network>" for the latest and detailed information.

Renesas Technology America, Inc.

450 Holger Way, San Jose, CA 95134-1368, U.S.A
Tel: <1> (408) 382-7500, Fax: <1> (408) 382-7501

Renesas Technology Europe Limited

Dukes Meadow, Millboard Road, Bourne End, Buckinghamshire, SL8 5FH, U.K.
Tel: <44> (1628) 585-100, Fax: <44> (1628) 585-900

Renesas Technology (Shanghai) Co., Ltd.

Unit 204, 205, AZIACenter, No.1233 Lujiazui Ring Rd, Pudong District, Shanghai, China 200120
Tel: <86> (21) 5877-1818, Fax: <86> (21) 6887-7898

Renesas Technology Hong Kong Ltd.

7th Floor, North Tower, World Finance Centre, Harbour City, 1 Canton Road, Tsimshatsui, Kowloon, Hong Kong
Tel: <852> 2265-6688, Fax: <852> 2730-6071

Renesas Technology Taiwan Co., Ltd.

10th Floor, No.99, Fushing North Road, Taipei, Taiwan
Tel: <886> (2) 2715-2888, Fax: <886> (2) 2713-2999

Renesas Technology Singapore Pte. Ltd.

1 Harbour Front Avenue, #06-10, Keppel Bay Tower, Singapore 098632
Tel: <65> 6213-0200, Fax: <65> 6278-8001

Renesas Technology Korea Co., Ltd.

Kukje Center Bldg. 18th Fl., 191, 2-ka, Hangang-ro, Yongsan-ku, Seoul 140-702, Korea
Tel: <82> (2) 796-3115, Fax: <82> (2) 796-2145

Renesas Technology Malaysia Sdn. Bhd

Unit 906, Block B, Menara Amcorp, Amcorp Trade Centre, No.18, Jalan Persiaran Barat, 46050 Petaling Jaya, Selangor Darul Ehsan, Malaysia
Tel: <603> 7955-9390, Fax: <603> 7955-9510