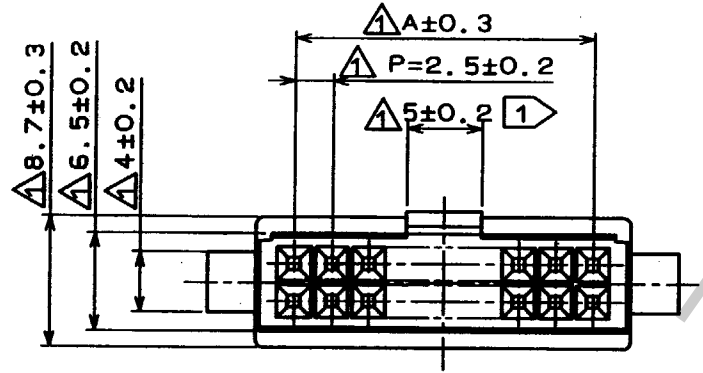
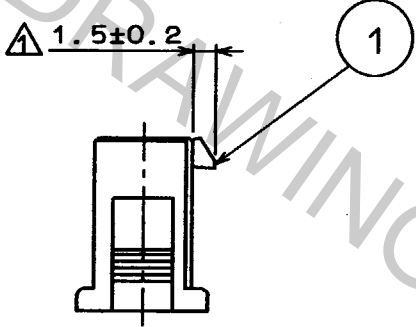
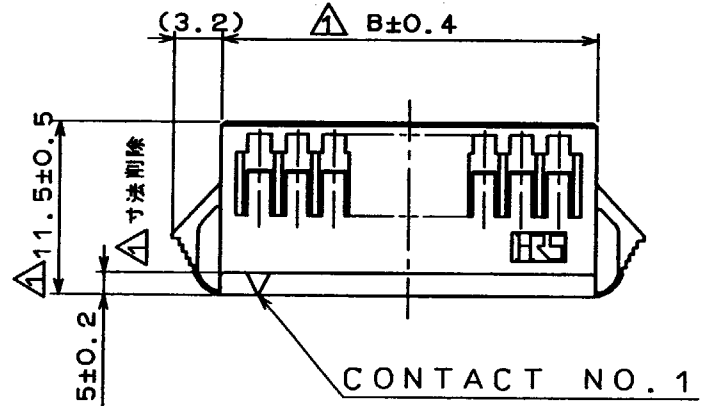
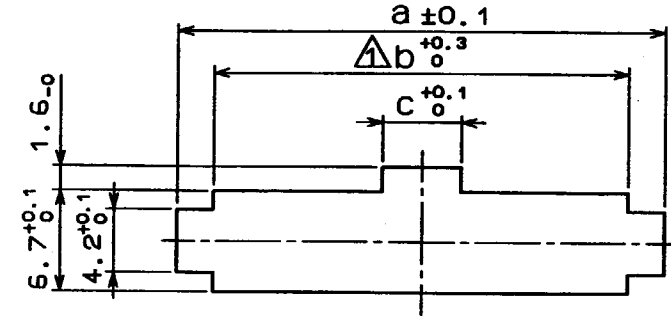


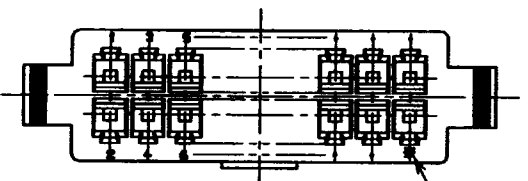
| COUNT | DESCRIPTION OF REVISIONS | BY | CHKD | DATE | COUNT | DESCRIPTION OF REVISIONS | BY | CHKD | DATE |
|-------|--------------------------|-----|------|--------|-------|--------------------------|----|------|------|
| 12 | RE-H-1698 | R.S | T.O | 96.2.8 | | | | | |
| | | | | | | | | | |
| | | | | | | | | | |



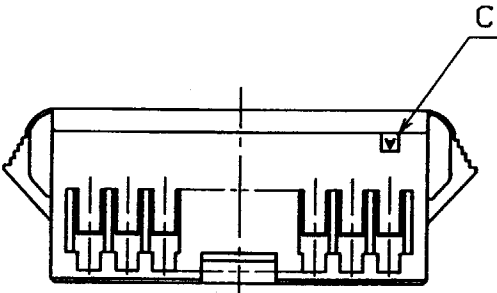
< PANEL CUTOUT >



PLEASE NOTE THAT A DIMENSION (PANEL THROUGH HOLE) VARY WITH THICKNESS OF PANEL WHEN YOU MOUNT DF1B EXTENSION SOCKET TO THE PANEL. AND PLEASE PROCESS THE PANEL THROUGH HOLE WITHOUT BURR.



NUMBER OF CONTACTS



CAVITY NO.

PANEL CUTOUT

| HRS NO. | PART NO. | A | | B | | C | | |
|--------------|------------------|-----------------|---------|---------|------|------|------|-----|
| | | PANEL THICKNESS | | | | | | |
| | | 0.5-1.2 | 1.3-1.6 | 1.7-2.0 | a | a | a | b |
| CL541-0351-1 | DF1B-10DES-2.5RC | 10.0 | 15.0 | 19.1 | 19.8 | 20.5 | 15.2 | 3.7 |
| 0352-4 | 12 | 12.5 | 17.5 | 21.6 | 22.3 | 23.0 | 17.7 | 3.7 |
| 0353-7 | 14 | 15.0 | 20.0 | 24.1 | 24.8 | 25.5 | 20.2 | 3.7 |
| 0354-0 | 16 | 17.5 | 22.5 | 26.6 | 27.3 | 28.0 | 22.7 | 3.7 |
| 0346-1 | 18 | 20.0 | 25.0 | 29.1 | 29.8 | 30.5 | 25.2 | 3.7 |
| 0355-2 | 20 | 22.5 | 27.5 | 31.6 | 32.3 | 33.0 | 27.7 | 5.2 |
| 0356-5 | 22 | 25.0 | 30.0 | 34.1 | 34.8 | 35.5 | 30.2 | 5.2 |
| 0357-8 | 24 | 27.5 | 32.5 | 36.6 | 37.3 | 38.0 | 32.7 | 5.2 |
| 0358-0 | 26 | 30.0 | 35.0 | 39.1 | 39.8 | 40.5 | 35.2 | 5.2 |
| 0359-3 | 28 | 32.5 | 37.5 | 41.6 | 42.3 | 43.0 | 37.7 | 5.2 |
| 0360-2 | 30 | 35.0 | 40.0 | 44.1 | 44.8 | 45.5 | 40.2 | 5.2 |
| 0361-5 | 32 | 37.5 | 42.5 | 46.6 | 47.3 | 48.0 | 42.7 | 5.2 |
| 0362-8 | 34 | 40.0 | 45.0 | 49.1 | 49.8 | 50.5 | 45.2 | 5.2 |

10 CONTACTS TO 18 CONTACTS SHALL BE 3.5mm.

| | | | | | |
|----------------|----------|-----------------|----------|-----------|------------------------|
| NO. | MATERIAL | FINISH, REMARKS | NO. | MATERIAL | FINISH, REMARKS |
| | | | 1 | POLYAMIDE | NATURAL(WHITE) UL94V-0 |
| CODE NO. (OLD) | | DRAWN | DESIGNED | CHECKED | APPROVED |
| | | M. Gotoh | M. Gotoh | T. Oma | M. Yamamoto |
| | | 94 324 | 94 324 | 94 325 | 94 325 |
| DRAWING NO. | | PART NO. | | | |
| EDC3-160094-02 | | DF1B-*DES-2.5RC | | | |
| UNITS | | CODE NO. | | | |
| mm | | CL541-0346-1 | | 1 | |
| | | CL541-0362-8 | | 1 | |

Apr. 1. 2017 Copyright 2017 HIROSE ELECTRIC CO., LTD. All Rights Reserved.

| |
|----|
| TO |
| |
| |
| |