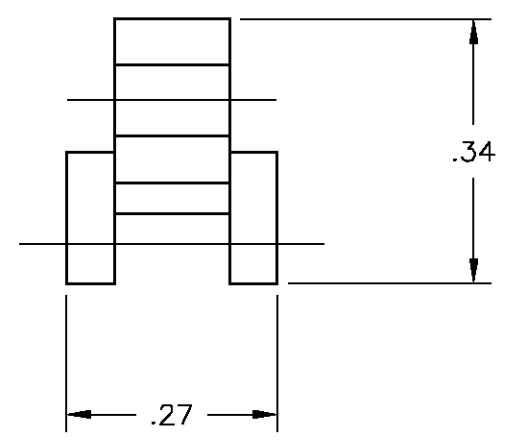
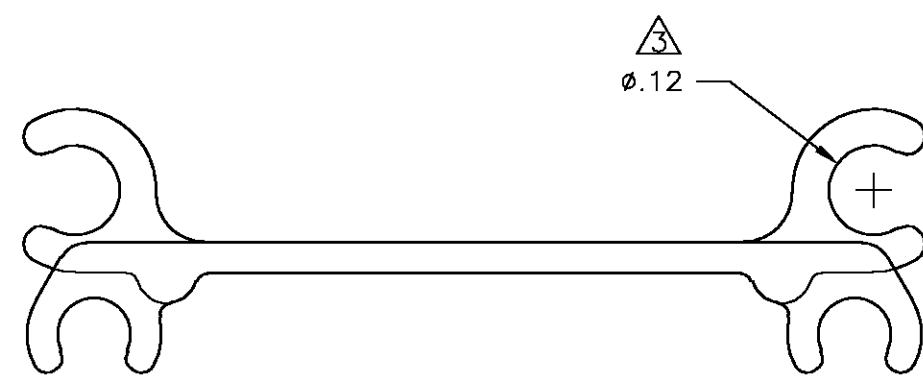
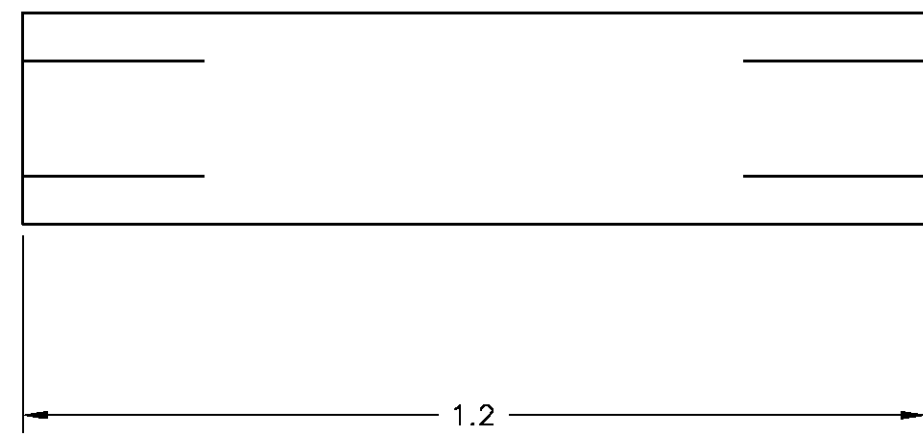


THIS DRAWING IS UNPUBLISHED. RELEASED FOR PUBLICATION  
 © COPYRIGHT BY TYCO ELECTRONICS CORPORATION. ALL RIGHTS RESERVED.

LOC	DIST	REVISIONS			
P	LTR	DESCRIPTION	DATE	DWN	APVD
FT	0	A	REVISED PER 0G3B-0467-03	6/4/03	SS SRY

- NOTES:
- 1 MATERIAL: CLEAR POLYCARBONATE.
  - 2. FOR USE WITH 900 SERIES TERMINAL BLOCKS.
  - 3 ACCEPTS GANGING ROD, CATALOG NO. 30-BU.



1-1437382-2  
 PART NUMBER

THIS DRAWING IS A CONTROLLED DOCUMENT.		DWN S. SCHLEGEL 6/4/03	<b>BUCHANAN</b> Tyco Electronics Corporation Harrisburg, PA 17105		
DIMENSIONS: INCHES		CHK S. YODER 6/4/03			
TOLERANCES UNLESS OTHERWISE SPECIFIED:		APVD S. YODER 6/4/03	NAME COVER - HINGED M.D. BLOCK 300V & 600V (3/8" CENTERS)		
0 PLC ± - 1 PLC ± .1 2 PLC ± .02 3 PLC ± - 4 PLC ± - ANGLES ± -		PRODUCT SPEC -	APPLICATION SPEC -		
MATERIAL -		FINISH -	WEIGHT -	SIZE A3	CAGE CODE 00779
CUSTOMER DRAWING			DRAWING NO C-1447919	RESTRICTED TO -	
			SCALE 4:1	SHEET 1 OF 1	REV A