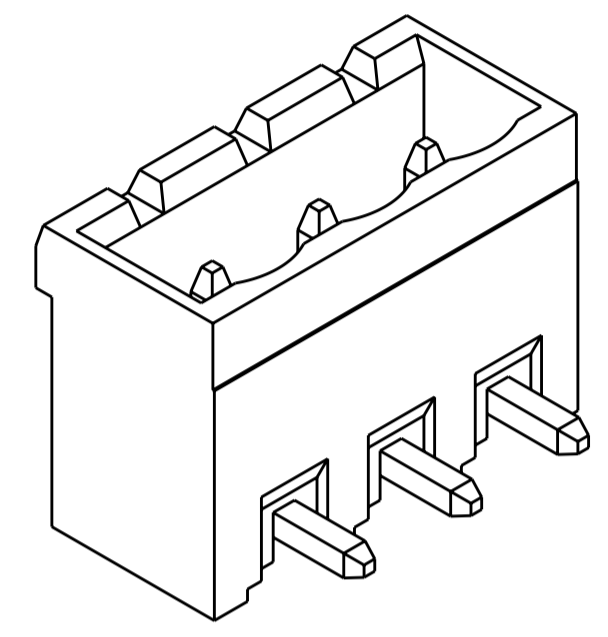
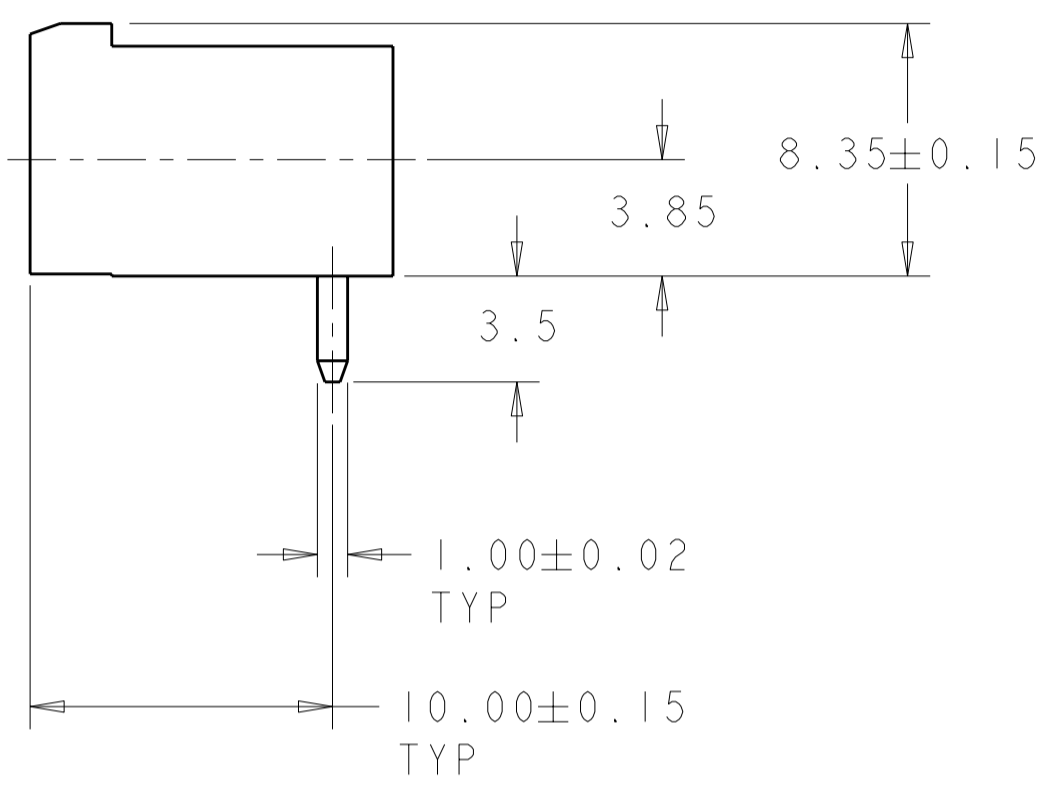
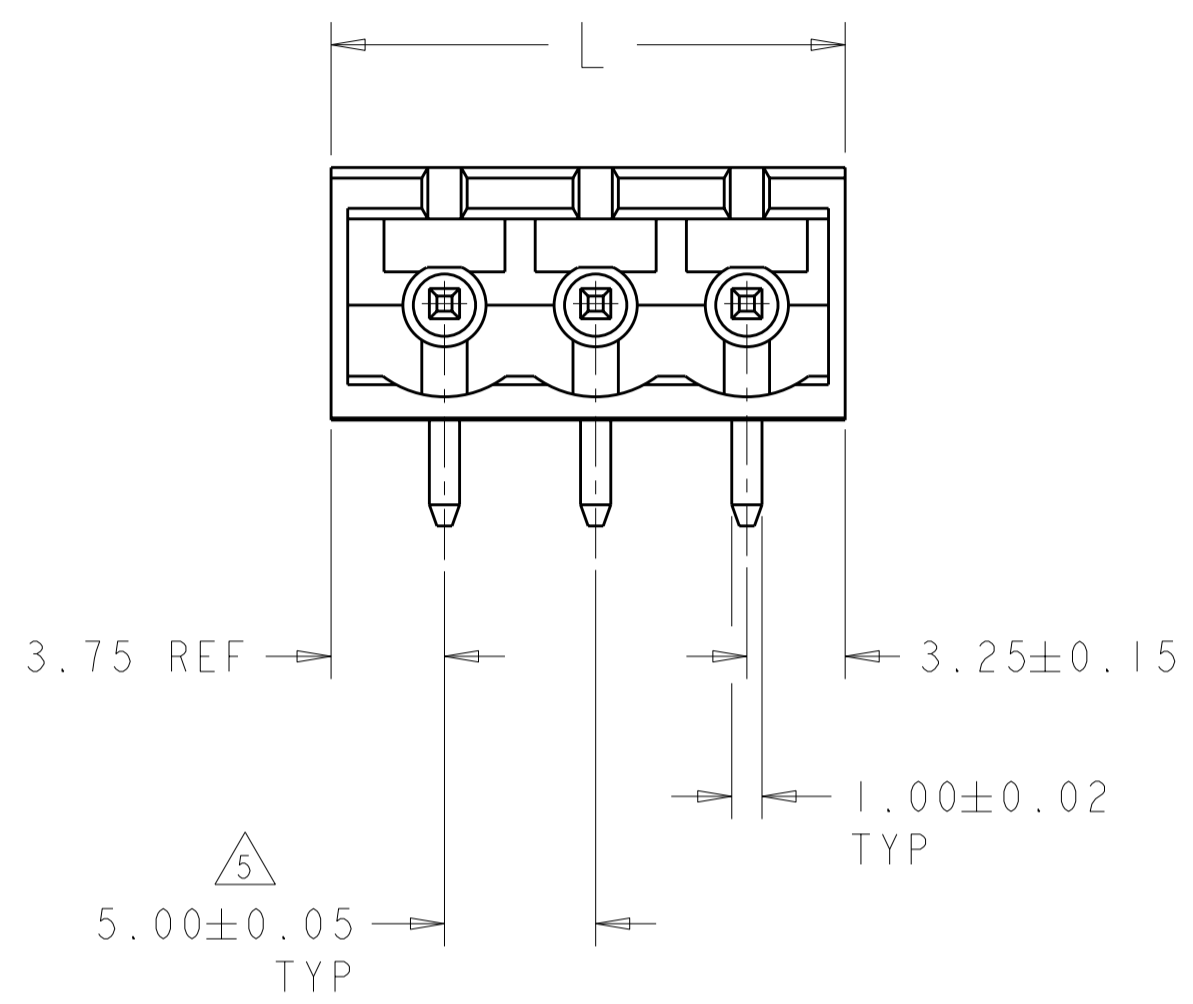
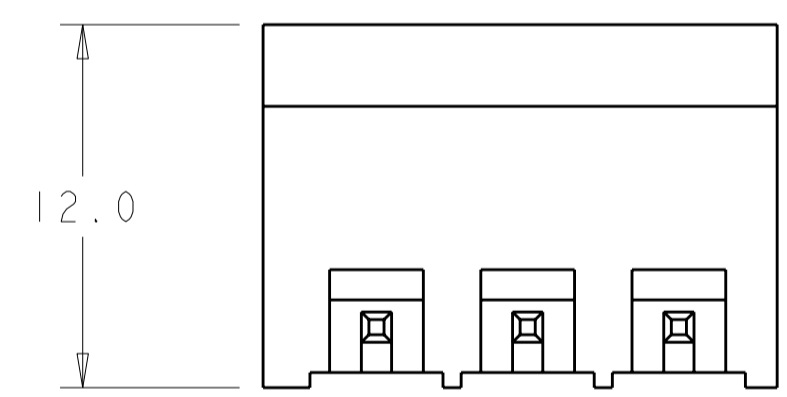


THIS DRAWING IS UNPUBLISHED. RELEASED FOR PUBLICATION 20  
 © COPYRIGHT 20 Tyco Electronics AMP GmbH ALL RIGHTS RESERVED.

LOC	DIST	REVISIONS			
P	LTR	DESCRIPTION	DATE	DWN	APVD
FT	0	AI	REVISED PER ECO-12-007964	02MAY2012	KH MS

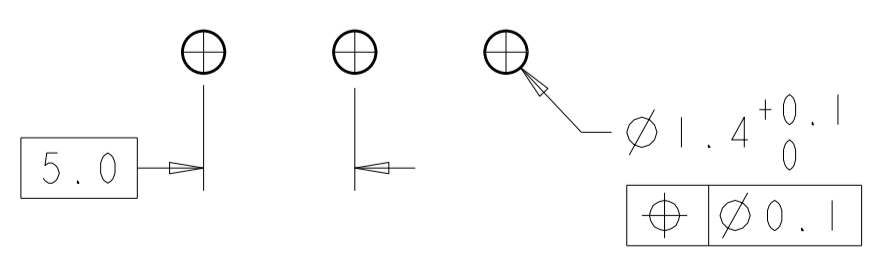


1546209-3 AS SHOWN



- 1. MATERIALS AND FINISH:  
 HOUSING: PA 6-6, UL 94-V0, COLOR: GRAY.  
 TERMINAL: COPPER ALLOY, TIN PLATED.
- 2. SUITABLE FOR 1,6-2, 4mm PC BOARD THICKNESS.
- 3. RECOGNIZED UNDER THE COMPONENT PROGRAM OF UNDERWRITERS LABORATORIES INC. FILE N° E60677.
- 4. IMQ CERTIFICATE WITH SURVEILLANCE IN CONFORMITY WITH IEC 998-1/998-2-1.
- 5. NOT CUMULATIVE TOLERANCE

127.0	25	2-1546209-5
122.0	24	2-1546209-4
117.0	23	2-1546209-3
112.0	22	2-1546209-2
107.0	21	2-1546209-1
102.0	20	2-1546209-0
97.5	19	1-1546209-9
92.0	18	1-1546209-8
87.0	17	1-1546209-7
82.0	16	1-1546209-6
77.0	15	1-1546209-5
72.0	14	1-1546209-4
67.0	13	1-1546209-3
62.0	12	1-1546209-2
57.0	11	1-1546209-1
52.0	10	1-1546209-0
47.0	9	1546209-9
42.0	8	1546209-8
37.0	7	1546209-7
32.0	6	1546209-6
27.0	5	1546209-5
22.0	4	1546209-4
17.0	3	1546209-3
12.0	2	1546209-2
DIM L	NO OF POSN	PART NUMBER



RECOMMENDED PC BOARD LAYOUT

THIS DRAWING IS A CONTROLLED DOCUMENT.		DWN S.WELDON 27FEB2004	TE Connectivity	
DIMENSIONS: mm		CHK C.RICHARD 27FEB2004		
TOLERANCES UNLESS OTHERWISE SPECIFIED:		APVD C.RICHARD 27FEB2004	NAME	
0 PLC ±-		PRODUCT SPEC	TERMINAL BLOCK HEADER ASSEMBLY, 90 DEGREE, CLOSED ENDS, 5.00mm PITCH	
1 PLC ±0.2		APPLICATION SPEC	SIZE	RESTRICTED TO
2 PLC ±0.25		WEIGHT	A200779	
3 PLC ±-		CUSTOMER DRAWING	CAGE CODE	DRAWING NO
4 PLC ±-			1546209	
ANGLES ±-			SCALE 4:1	SHEET 1 OF 1
FINISH			REV AI	