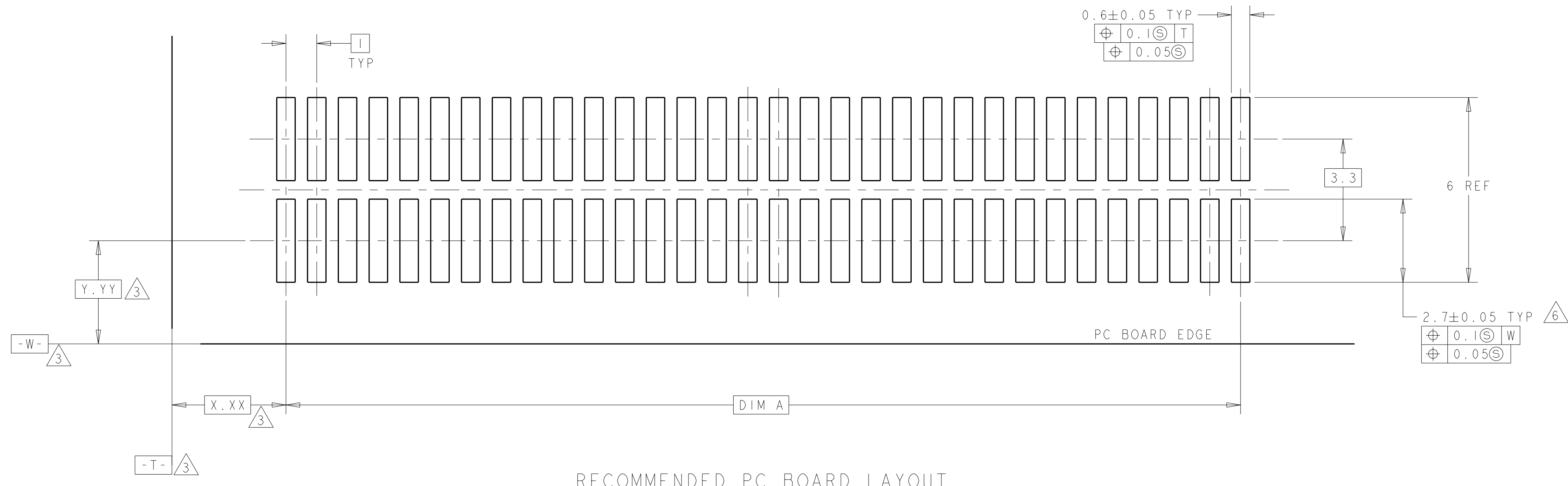
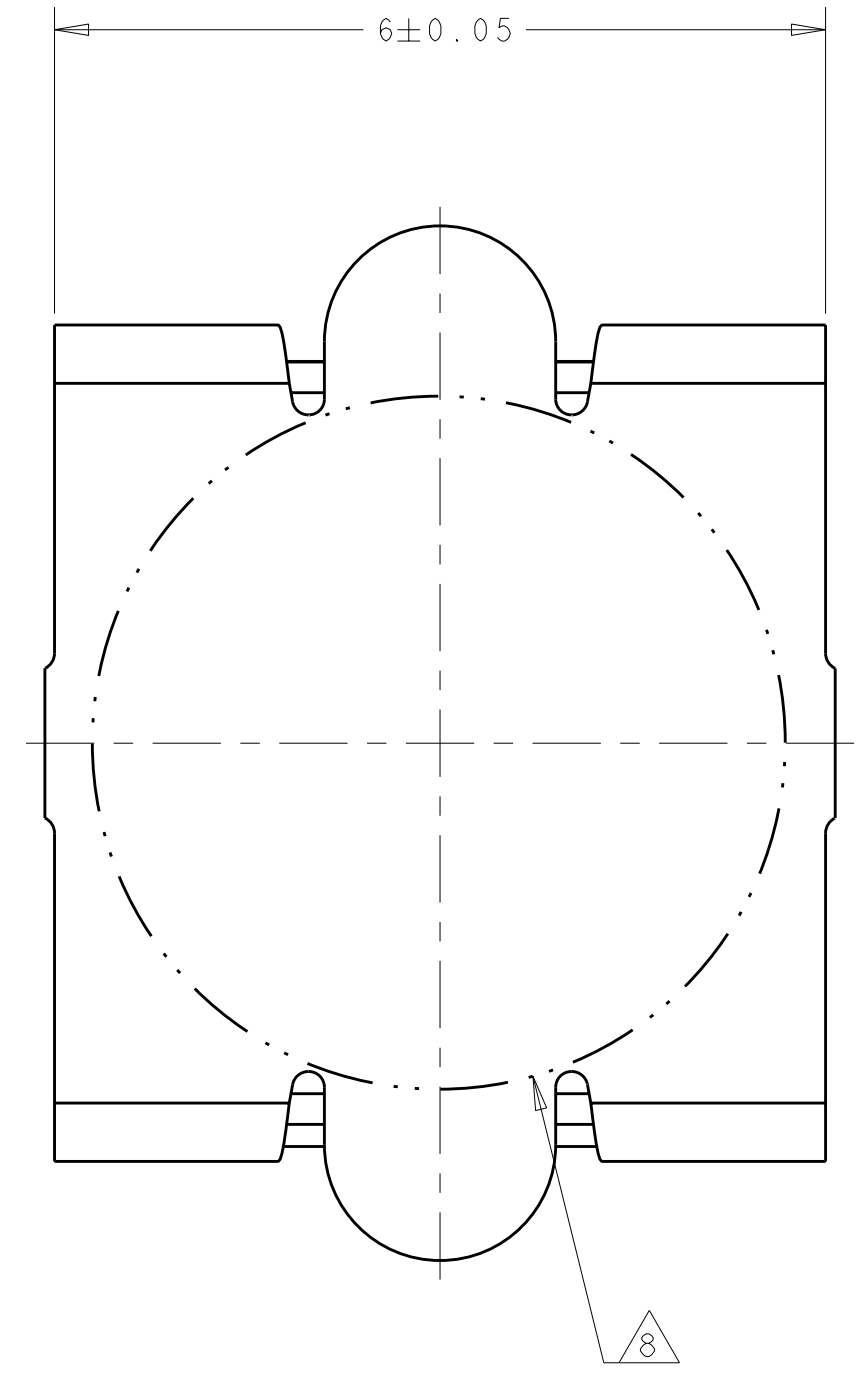
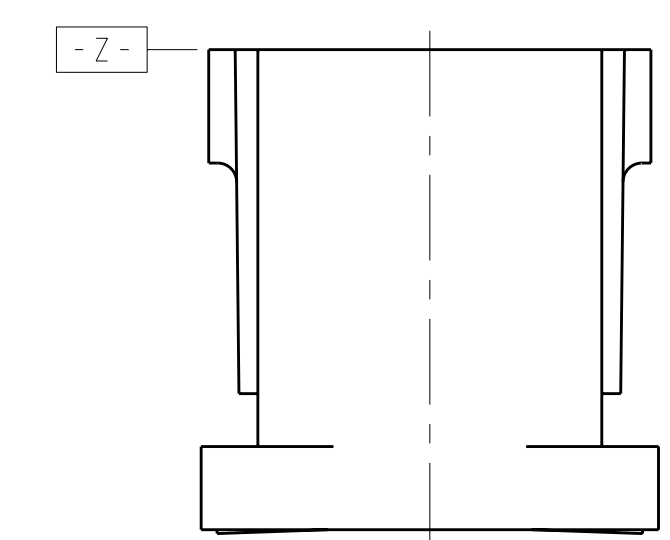
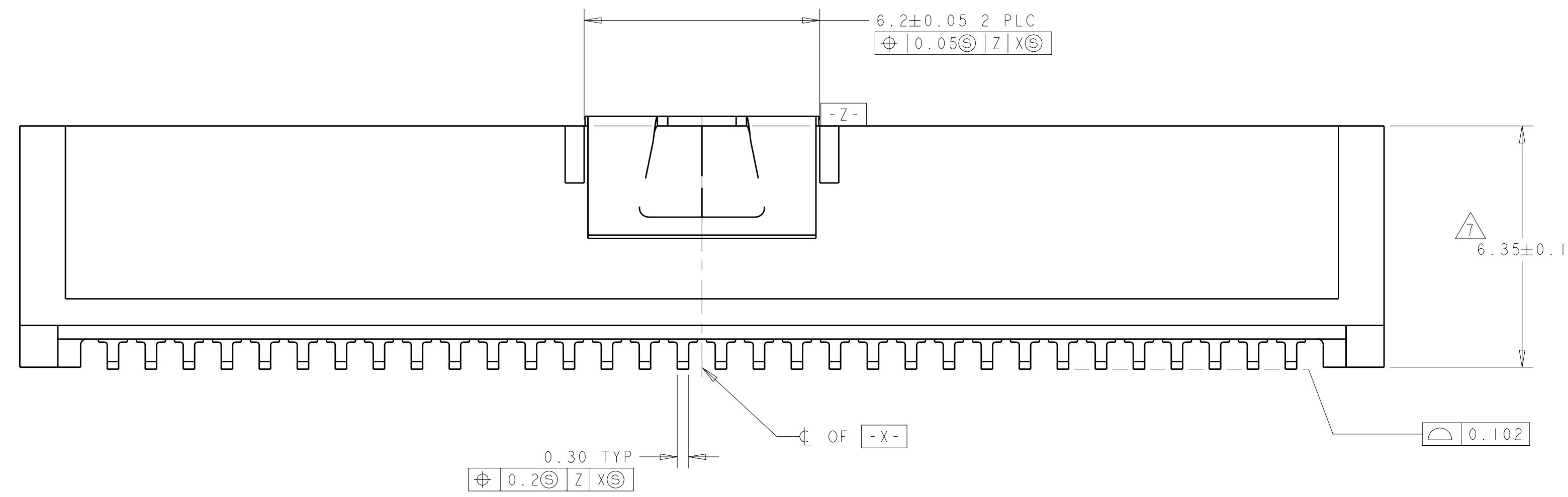
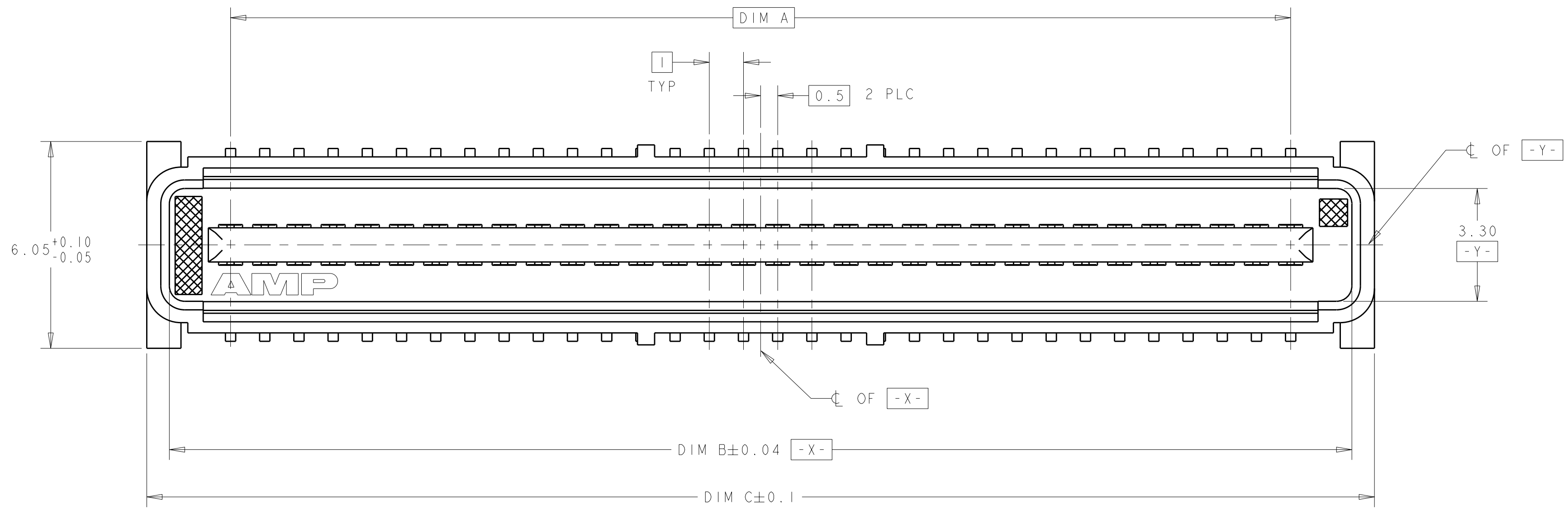


LOC	DIST	REV	DATE	BY	CHK	APPD
AD	00	0	30SEP2004	BC	RW	
		A	16SEP2005	BC	RW	
		B	10JUL2008	DH	DB	



RECOMMENDED PC BOARD LAYOUT

- 1. HOUSING MATERIAL: LIQUID CRYSTAL POLYMER COLOR: BLACK. CONTACT MATERIAL: PHOSPHOR BRONZE.
- 2. CONTACT FINISH: NICKEL UNDERPLATE ALL OVER, MATING SURFACES PLATED TO MEET PLI PERFORMANCE REQUIREMENTS OF INDUSTRY SPECIFICATION EIA-700AAAB, SOLDER TAILS PLATED TIN.
- 3. DATUM LOCATIONS AND BASIC DIMENSIONS TO BE ESTABLISHED BY THE CUSTOMER. CONSULT AMP ENGINEERING WHEN PLACING MULTIPLE CONNECTORS ON A PC BOARD.
- 4. PACKAGED IN TAPE ON REEL PER EIA-481.
- 5. VACUUM COVER DESIGNED FOR 4mm DIA. NOZZLE. VACUUM COVER TO BE REMOVED AFTER SOLDERING. VACUUM COVER REMOVED FROM SOME VIEWS FOR DIMENSIONAL CLARITY.
- 6. SHORTER SOLDER LANDS MAY BE USED PER EIA 700AAAB, HOWEVER 2.7 LENGTH ASSURES OPTIMUM SOLDER FILLET REGARDLESS OF MANUFACTURER OF CONNECTOR.
- 7. REFERRED TO AS DIM N IN EIA 700AAAB SPECIFICATION.
- 8. 5.5 MIN DIAMETER TARGET AREA FOR VACUUM PICK-UP.
- 9. CONTACT FINISH: 0.00381 MINIMUM MATTE TIN PER ASTM B 545 ON SOLDER AREA, 0.00127 MINIMUM GOLD PER ASTM B 488 ON MATING AREA, BOTH OVER 0.00127 MINIMUM NICKEL PER SAE-AMS-QQ-N-290 ON ENTIRE CONTACT.

REV	DATE	BY	CHK	APPD	DESCRIPTION	DATE	BY	CHK	APPD
9									
8									
7									
6									
5									
4									
3									
2									
1									

FINISH	DIM C	DIM B	DIM A	MATING CONNECTOR	STACK HGTS	POS	PART NO
9	45.9	44.58	41	5120528-2	8	84	1-5120532-2
8	35.9	34.58	31	5120528-1	8	64	1-5120532-1
7	45.9	44.58	41	5120528-2	8	84	5120532-2
6	35.9	34.58	31	5120528-1	8	64	5120532-1

DIMENSIONS: mm TOLERANCES UNLESS OTHERWISE SPECIFIED: 9 PLC $\pm$ 8 PLC $\pm 0.03$ 5 PLC $\pm 0.003$ 4 PLC $\pm$ ANGLES $\pm 30^\circ$ FINISH SEE TABLE		DWN B. CARBO 30SEP04 CHK R. WERTZ 30SEP04 APPD R. WERTZ 30SEP04 PRODUCT SPEC 502-1079 APPLICATION SPEC 114-25045 WEIGHT CUSTOMER DRAWING		Tyco Electronics Harrisburg, PA 17105-3608 PLUG ASSEMBLY, W/ COVER, 1.0mm FH(IEEE1386) CONNECTOR SIZE CAGE CODE DRAWING NO A11 00779 C=5120532 SCALE 17:1 SHEET 1 OF 1 REV B	
--	--	--	--	--	--