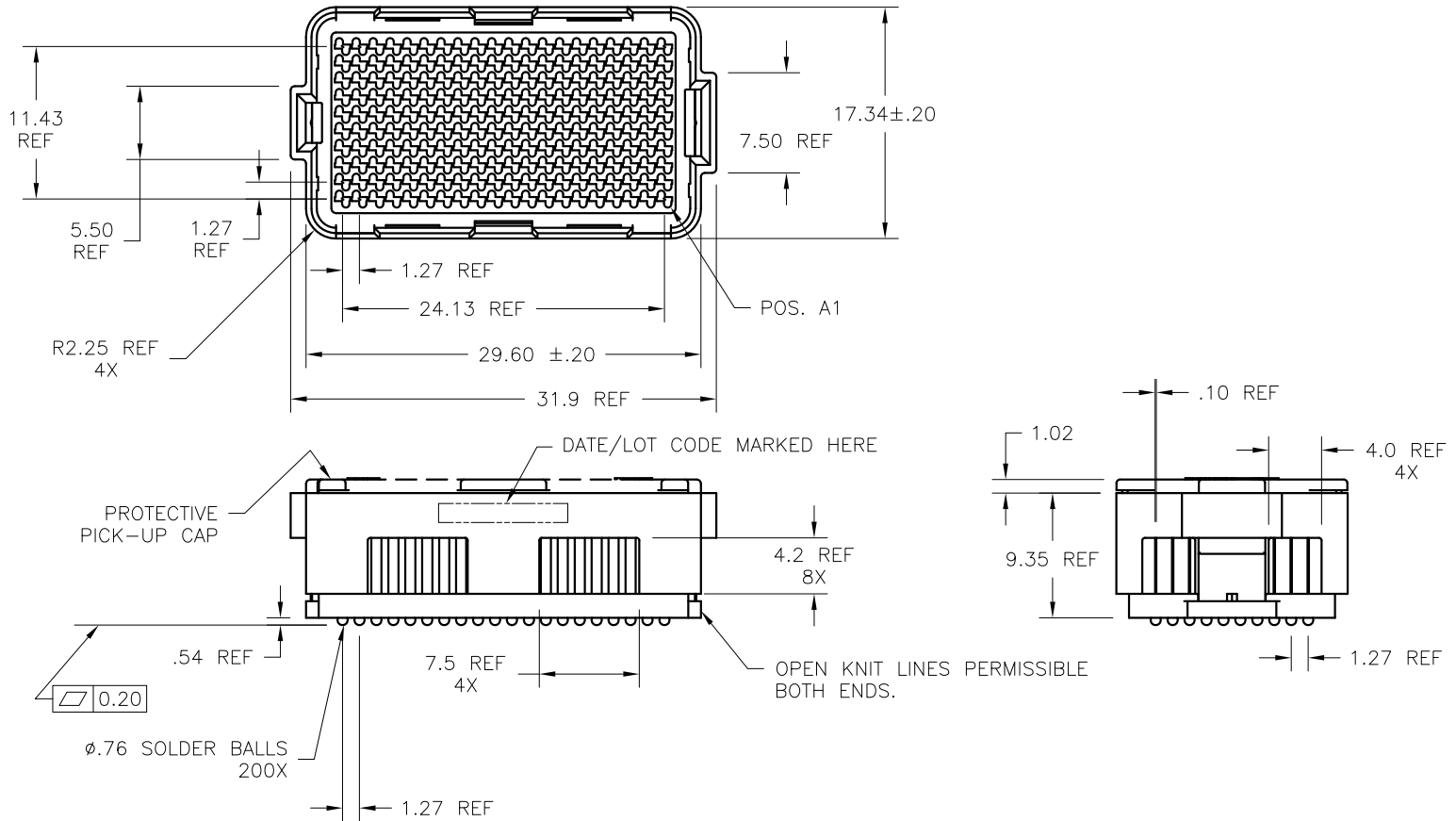


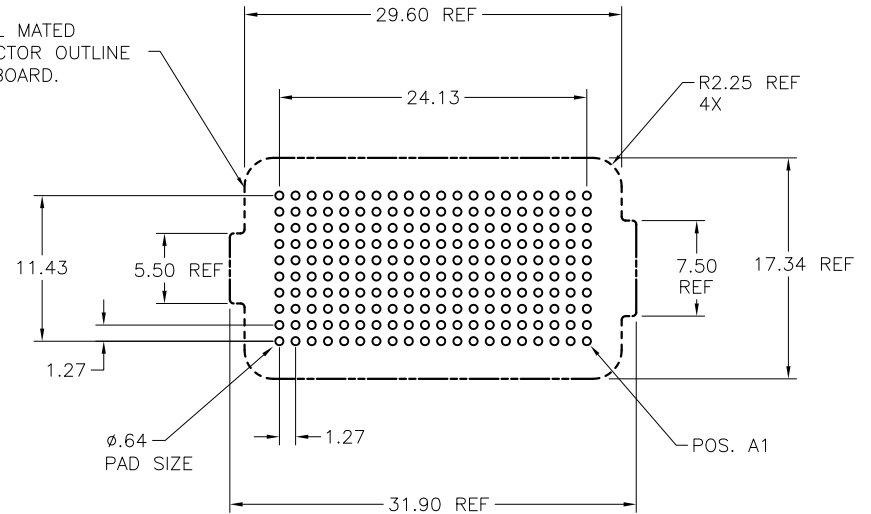
PRODUCT NUMBER
SEE TABLE- SHEET 2



mat'l. code SEE NOTE 1				surface ASME Y14.5		tolerance ASME Y14.5		projection		product family MEG-Array	
ltr	ec'n no	dr	date	tolerances unless otherwise specified		angles		MM		title 6.0mm PLUG ASSEMBLY 10 X 20 = 200 POSITIONS	
H	V11-0029	HTB	2011-06-06	XXX ±.050		0° ±2'		scale 1:1		dwg no 84530	
J	V12-0024	HTB	2012-04-03	D. WAUGHEN 1999-09-08		B. SPINK 1999-09-08		FCI		sheet 1 of 3 size A4	
K	V12-0030	RE	2012-08-06	engr B. SPINK 1999-09-08		chr B. SPINK 1999-09-08				type CUSTOMER Drawing	
L	V12-0048	DCH	2012-11-20	appd B. SPINK 1999-09-08							
F	V06-0560	LP	2006-07-14								
G	V07-0641	LP	2007-10-23								
sheet	revision	L	L	L							
index	sheet	1	2	3							

PRODUCT NO.	PICK-UP CAP (NATURAL OR BLACK COLOR)	CONTACT PLATING AND THICKNESS	SOLDER BALL	NOTES
84530-002	YES	15μ" (.38μm) Au	SnPb	
84530-002LF	YES	15μ" (.38μm) Au	LEAD FREE	6
84530-092	YES	15μ" (.38μm) GXT	SnPb	
84530-092LF	YES	15μ" (.38μm) GXT	LEAD FREE	6
84530-102	YES	30μ" (.76μm) Au	SnPb	
84530-102LF	YES	30μ" (.76μm) Au	LEAD FREE	6
84530-192	YES	30μ" (.76μm) GXT	SnPb	
84530-192LF	YES	30μ" (.76μm) GXT	LEAD FREE	6
84530-202	YES	50μ" (1.27μm) Au SPECIAL	SnPb	3 AND 4
84530-202LF	YES	50μ" (1.27μm) Au SPECIAL	LEAD FREE	3, 4 AND 6
84530-292	YES	50μ" (1.27μm) GXT SPECIAL	SnPb	3 AND 4
84530-292LF	YES	50μ" (1.27μm) GXT SPECIAL	LEAD FREE	3, 4 AND 6
84530-A02	YES	30μ" (.76μm)	SnPb	7
84530-A02LF	YES	30μ" (.76μm)	LEAD FREE	6 AND 7
84530-302	YES	15μ" (.38μm) Au SPECIAL	SnPb	7
84530-302LF	YES	15μ" (.38μm) Au SPECIAL	LEAD FREE	6 AND 7
84530-402	YES	30μ" (.76μm) Au SPECIAL	SnPb	7
84530-402LF	YES	30μ" (.76μm) Au SPECIAL	LEAD FREE	6 AND 7
84530-502	YES	Au SPECIAL	SnPb	3, 4 AND 7
84530-502LF	YES	Au SPECIAL	LEAD FREE	3, 4, 6 AND 7

STENCIL MATED CONNECTOR OUTLINE ONTO BOARD.



BOARD PATTERN

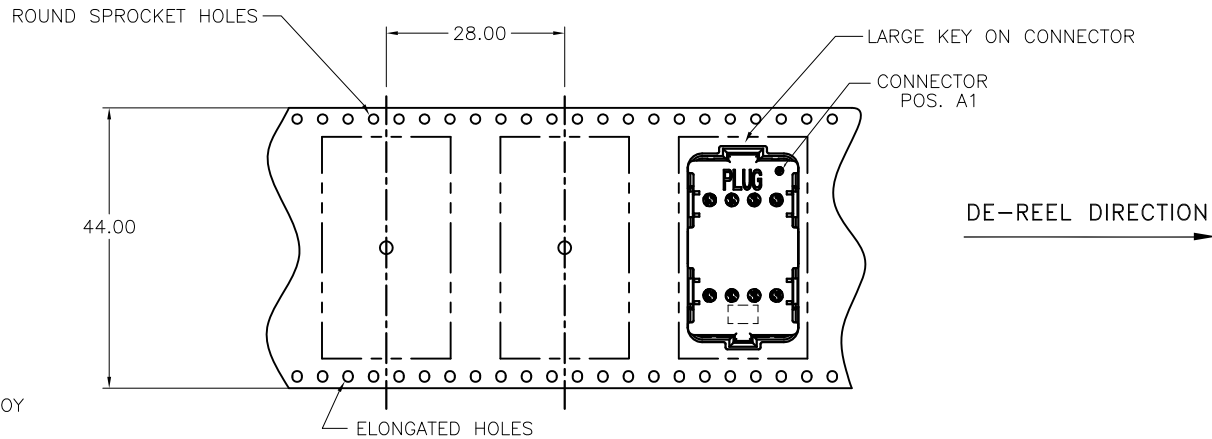
mat'l. code		surface		tolerance		projection		product family	
SEE NOTE 1		ASME Y14.5		ASME Y14.5				MEG-Array	
ltr	ecn no	dr	date	tolerances unless otherwise specified		MM		title	
				angles	X ±3			6.0mm PLUG ASSEMBLY	
				0° ±2'	.XX ±.10	scale 1:1		10 X 20 = 200 POSITIONS	
					XXX ±.050			dwg no	
		dr	D. WAUGHEN	1999-09-08				sheet 2 of 3 size	
		enr	B. SPINK	1999-09-08				84530 A4	
		chr	B. SPINK	1999-09-08				type	
		appd	B. SPINK	1999-09-08				CUSTOMER Drawing	
sheet index	revision sheet								

PRODUCT NUMBER
SEE TABLE-SHEET 2

1 | 2

3 |

4



NOTES:

1. MATERIAL:
HOUSING: LCP
CONTACT: COPPER ALLOY

PLATING:
CONTACT: (SEE TABLE ON SHEET 2)
SOLDER BALL: (SEE TABLE ON SHEET 2)
EUTECTIC SnPb OR LEAD FREE
95.5Sn/4Ag/0.5Cu
2. OVERALL BOARD-TO-BOARD STACK HEIGHTS AVAILABLE USING THIS CONNECTOR (84530):

MATED HEIGHT	WITH RECPT. P/N	-2XX PLATING
10mm	84517	SEE NOTE 2
12mm	55724	
14mm	84535	SEE NOTE 3

3. PLATING FOR INDICATED -2XX SERIES PART NOS. MEET THE REQUIREMENTS OF GR-1217-CORE, CENTRAL OFFICE ENVIRONMENT, (25 YEAR LIFE EXPECTANCY).
4. PLATING FOR INDICATED -2XX SERIES PART NOS. IS Au OVER Ni WITH SPECIAL CONTACT GEOMETRY TO MEET REQUIREMENTS OF TELCORDIA GR-1217-CORE: CENTRAL OFFICE ENVIRONMENT.
5. FOR PROPER APPLICATION FOLLOW FCI APPLICATION SPECIFICATION GS-20-033 LEAD FREE SOLDER BALLS WILL NOT SOLDER PROPERLY IN A LEADED SOLDER PROCESS DUE TO A HIGHER REFLOW TEMPERATURE. LEAD FREE PRODUCT IS THEREFORE NOT BACKWARDS COMPATIBLE WITH LEADED OR SOME SOLDERING APPLICATIONS. REFERENCE FCI APPLICATION SPECIFICATION.

6. THIS PRODUCT MEETS EUROPEAN UNION DIRECTIVES AND OTHER COUNTRY REGULATIONS AS DESCRIBED IN GS-47-0004 PRODUCT MEETING THIS DIRECTIVE IS IDENTIFIED IN THE LOT CODE NUMBER MARKED ON EACH PART BY HAVING AN "X" IN THE SEVENTH CHARACTER POSITION.
7. 84530-A02 AND -A02LF ARE CUSTOMER SPECIALS.

12. A Δ SYMBOL WILL BE NEXT TO ANY DIMENSION, NEW VIEW OR NOTE WHICH HAS BEEN MODIFIED WITH THE CURRENT DRAWING REVISION

mat'l. code		surface		tolerance		projection		product family		
SEE NOTE 1		ASME Y14.5		ASME Y14.5				MEG-Array		
ltr	ecr no	dr	date	tolerances unless otherwise specified				title		
L				angles	mm	MM		6.0mm PLUG ASSEMBLY		
				0° ±2'	XXX ±.050	scale 1:1		10 X 20 = 200 POSITIONS		
		dr	D. WAUGHEN	1999-09-08			dwg no		sheet 3 of 3	size
		engr	B. SPINK	1999-09-08			84530		A4	
		chr	B. SPINK	1999-09-08			type		CUSTOMER Drawing	
		appd	B. SPINK	1999-09-08						
sheet index	revision sheet									

A

A

B

B

1 |

2 |

3 |

4