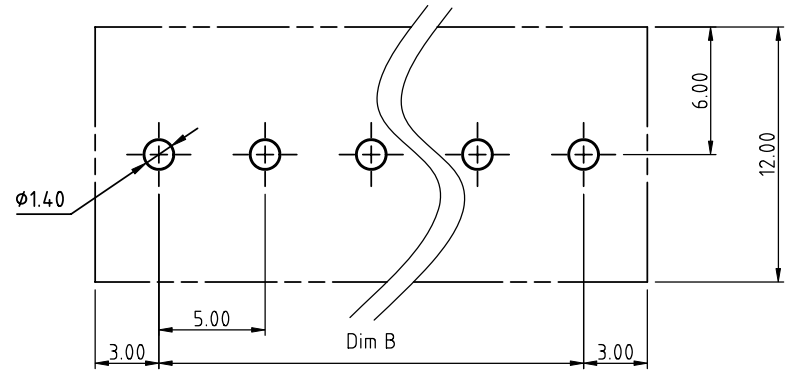
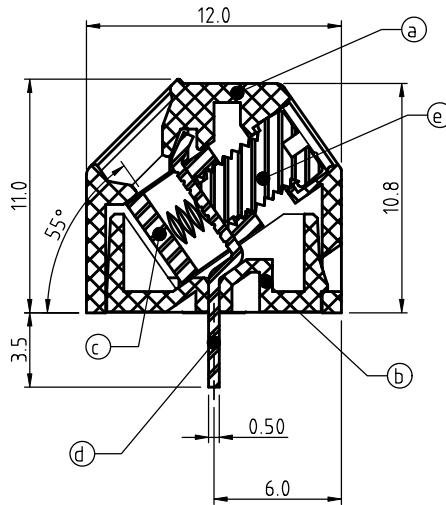
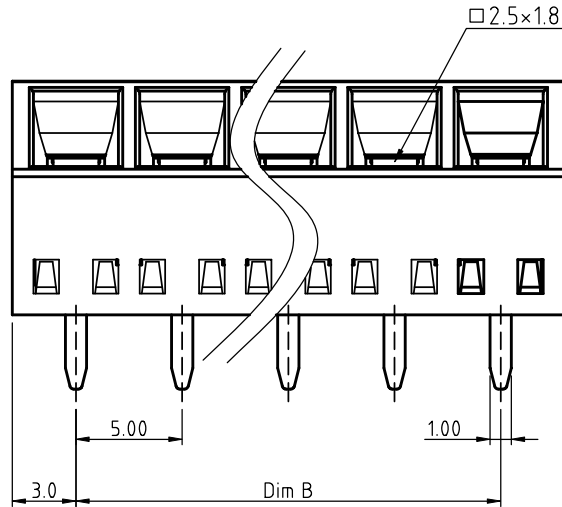
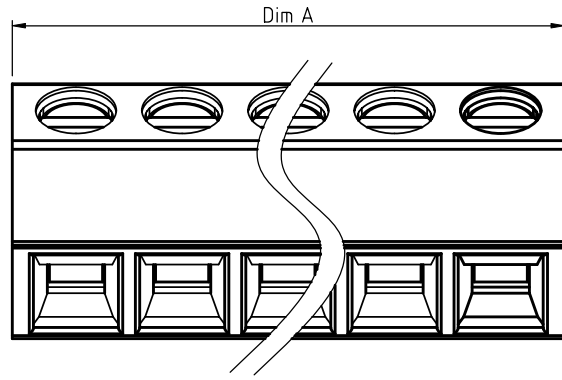


PRODUCT NUMBER	PITCH
TVxx51x000J0G	5.00 mm



RECOMMENDED P.C.B LAYOUT
TOP VIEW

Material:

- Item a Terminal housing: Thermoplastic (UL 94V-0)
- Item b Terminal Cover: Thermoplastic (UL 94V-0)
- Item c Clamp: Brass ,Ni plated
- Item d Solder pin: Brass ,Tin plated
- Item e Terminal screw: Steel Zinc plating"-slot type

Electrical cULus

- Voltage rating: 300VAC
- Current rating: 10A
- Wire range:
- Solid wire(AWG): 14-26
- Stranded wire(AWG): 16-26
- Torque(Lb-In): 3.5
- Screw: M3.0
- Wire strip length: 5-6mm
- Withstanding Voltage: 1.6KV
- Operating temperature: -40°C to +115°C
- Soldering temperature: 260°C±5°C/5 Sec
- Safety Approval: cULus

DIMENSION

Dim A	NX5.0+1.00
Dim B	(N-1)X5.0

N=Number of poles

Poles	Tolerance
2p-6p	±0.10
7p-12p	±0.20
13p-18p	±0.30
19p-24p	±0.40

PART NO.: TV xx 5 1 x 0 00J0 G

- | | | | | | |
|--------------|---|------------|---|-------------------|-----------------|
| Solid Block | 0 | Body Color | 0 | Black (RAL9005) | RoHS compliant |
| No. of poles | 2 | | 2 | Red (RAL3001/D) | (lead<4%) |
| 02 2 poles | 3 | | 3 | Orange(RAL2011/P) | In copper Alloy |
| 03 3 poles | 4 | | 4 | Yellow(RAL1018/A) | |
| ... | 5 | | 5 | Green(RAL6018/T) | |
| 24 24 poles | 6 | | 6 | Blue (RAL5015/A) | |
| | 8 | | 8 | Grey(RAL7035/D) | |
| | 9 | | 9 | White(RAL1102) | |
| | C | | C | Green(RAL6018/U) | |

mat'l. code				surface ASME Y14.5	tolerance ASME Y14.5	projection	product family TERMINAL BLOCK	
ltr	ecn	no	dr	tolerances unless otherwise specified		MM	title TERMINAL BLOCK	
				angles	X.±0.5		scale	RISING CLAMP,55D WIRE INLET,SOLID BLOCK
				±	X.X±0.3	FCI		dwg no
				X*±1*	X.XX±0.1			TVxx51x000J0G
				dr	EVIN ZHONG 040814		type CUSTOMER Drawing	
				enrg	EVIN ZHONG 040814			
				chr	HANKE FENG 040814			
				appd	SHI JUN 040814			
sheet index	revision	A						
	sheet	1						