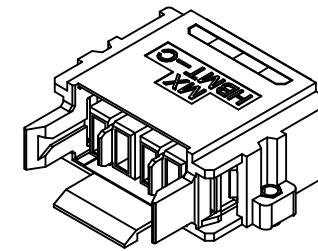
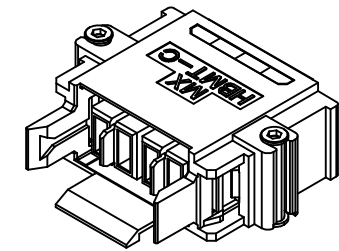


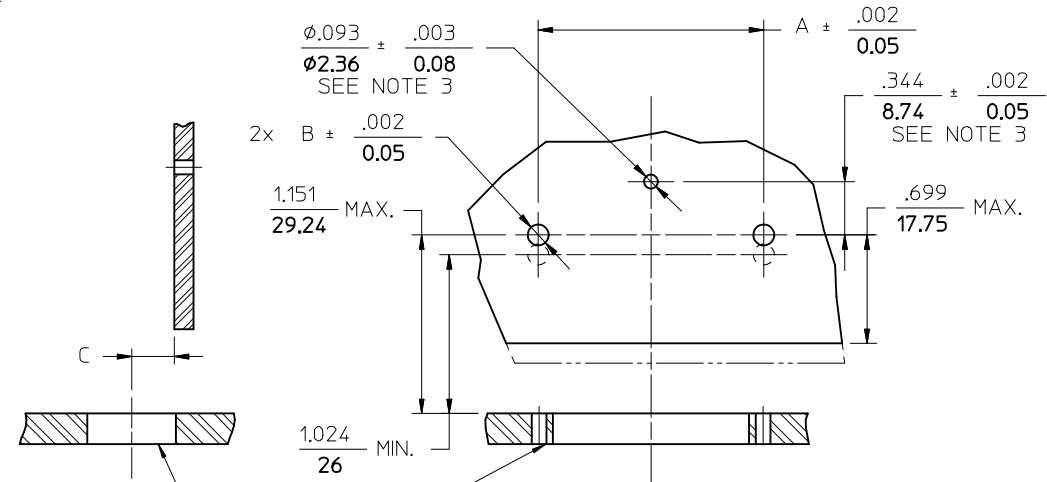
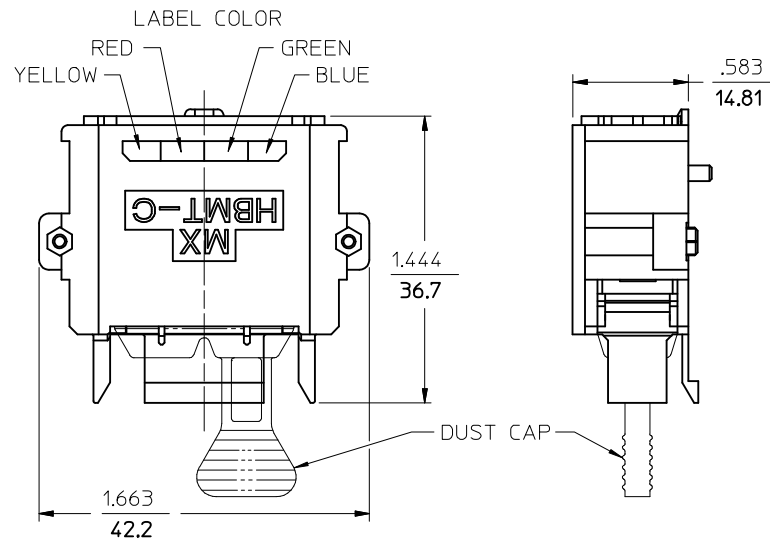
| 10 | 9 | 8 | 7 | 6 | 5 | 4 | 3 | 2 | 1 |
|---------------|-------|------------|-------------|-------------|----------------------------------|---|---|---|---|
| CONNECTOR P/N | FLOAT | A | B | C | MATES WITH BACKPLANE ADAPTER P/N | | | | |
| 106105-1100 | NO | 1.457 (37) | .135 (3.43) | .275 (6.98) | 106105-1000, 106105-1001 | | | | |
| 106105-2100 | YES | 1.497 (38) | .090 (2.29) | .295 (7.49) | 106105-2000 | | | | |



ISOMETRIC VIEW
P/N 106105-1100 WITHOUT FLOAT



ISOMETRIC VIEW
P/N 106105-2100 WITH FLOAT

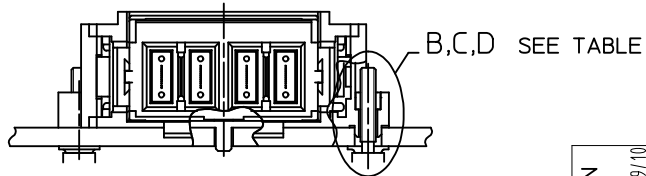
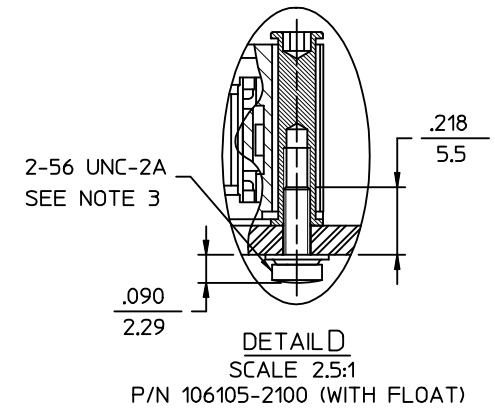
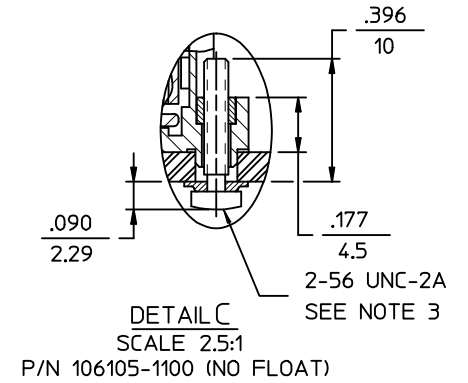
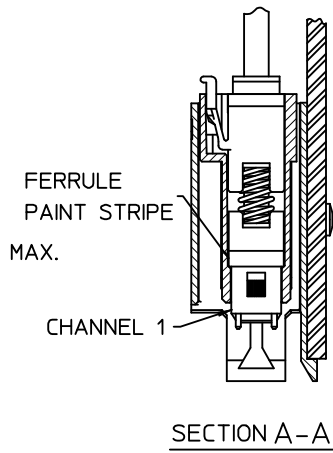
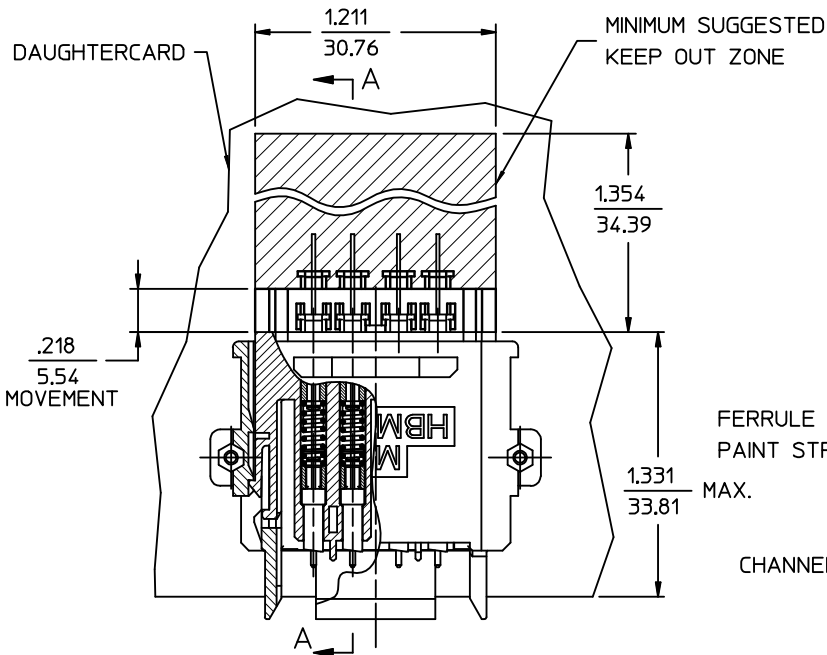


BACKPLANE RECOMMENDED MOUNTING PATTERN
SCALE 1.25:1

NOTES:

- RIVETS NOT INCLUDED WITH CONNECTOR.
- SCREWS ARE INCLUDED WITH CONNECTOR AND ARE INSTALLED BY USER. RECOMMENDED TORQUE: 2.5 TO 4 IN.LBS (0.28 TO 0.45 N.m) DEPENDING ON SUBSTRATE MATERIAL AND SCREW TYPE. USER IS ENCOURAGED TO DETERMINE THE PROPER TORQUE TO USE BY TRIAL (SEE MACHINERY'S HANDBOOK FOR PROCEDURE).
- CENTER LOCATOR HOLE AND PEG NOT USED ON P/N 106105-2100

| | | | | | | | | | | | |
|--|--|--|--|---------------------------------|--------------------|---|----------------------|------------------------|--|--|--|
| ENTER DESCRIPTION EC NO: MF2015-0125 DRN: MGHAYERE 2014/09/10 CHKD: WCHEN APPR: WCHEN 2014/12/09 A3 | QUALITY SYMBOLS $\nabla = 0$ $\nabla = 0$ $\nabla = 0$ | GENERAL TOLERANCES (UNLESS SPECIFIED) | | DIMENSION STYLE IN/MM | | SCALE | DESIGN UNITS INCH | THIRD ANGLE PROJECTION | | | |
| | | 4 PLACES \pm --- \pm --- 3 PLACES \pm --- \pm --- 2 PLACES \pm --- \pm --- 1 PLACE \pm --- \pm --- 0 PLACE \pm \pm | mm INCH \pm --- \pm --- \pm --- \pm --- \pm --- \pm --- \pm --- \pm --- \pm \pm | DRAWN BY PGI BLN | DATE 2005/10/31 | TITLE HBMT DAUGHTERCARD CONNECTOR | | | | | |
| | | DRAFT WHERE APPLICABLE MUST REMAIN WITHIN DIMENSIONS | | CHECKED BY WCHEN | DATE 2014/12/09 | APPROVED BY WCHEN | DATE 2014/12/09 | | | | |
| | | | | ANGULAR $\pm 1/2^\circ$ | | THIS DRAWING CONTAINS INFORMATION THAT IS PROPRIETARY TO MOLEX INCORPORATED AND SHOULD NOT BE USED WITHOUT WRITTEN PERMISSION | | | | | |



| | | | | | |
|---|---|--|---|--|--------------------------------------|
| ENTER DESCRIPTION EC NO: MF2015-0125 DRAWN: MAGHAYERE 2014/09/10 CHKD: APPR: WCHEN 2014/12/09 REV: A3 | QUALITY SYMBOLS ▽=0 ▽=0 | GENERAL TOLERANCES (UNLESS SPECIFIED) mm INCH 4 PLACES ± --- ± --- 3 PLACES ± --- ± --- 2 PLACES ± --- ± --- 1 PLACE ± --- ± --- 0 PLACE ± ± | DIMENSION STYLE IN/MM DRAWN BY DATE PGIBL IN 2005/10/31 CHECKED BY DATE APPROVED BY DATE 2014/12/09 | SCALE 2.5:1 DESIGN UNITS INCH THIRD ANGLE PROJECTION | TITLE HBMT DAUGHTERCARD CONNECTOR |
| | ANGULAR ±1/2° DRAFT WHERE APPLICABLE MUST REMAIN WITHIN DIMENSIONS | | MATERIAL NO. SEE TABLE | DOCUMENT NO. SD-106105-1100 | SHEET NO. 2 OF 2 |
| | THIS DRAWING CONTAINS INFORMATION THAT IS PROPRIETARY TO MOLEX INCORPORATED AND SHOULD NOT BE USED WITHOUT WRITTEN PERMISSION | | | | |
| | molex | | | | |
| | P/N 106105-1100 (NO FLOAT) | | | | |