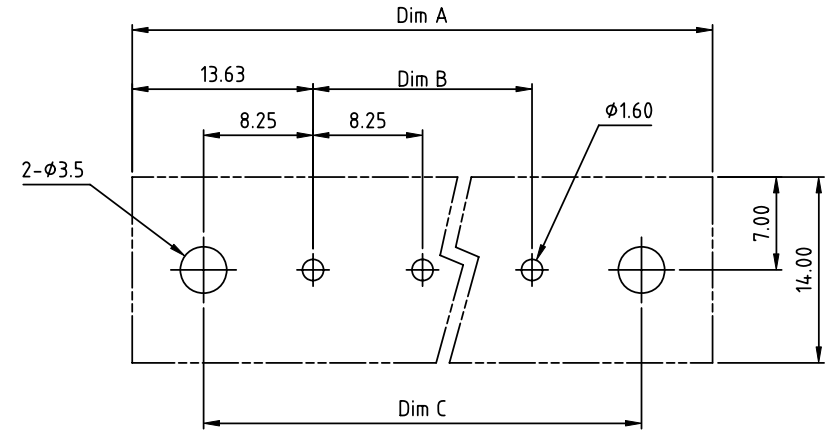
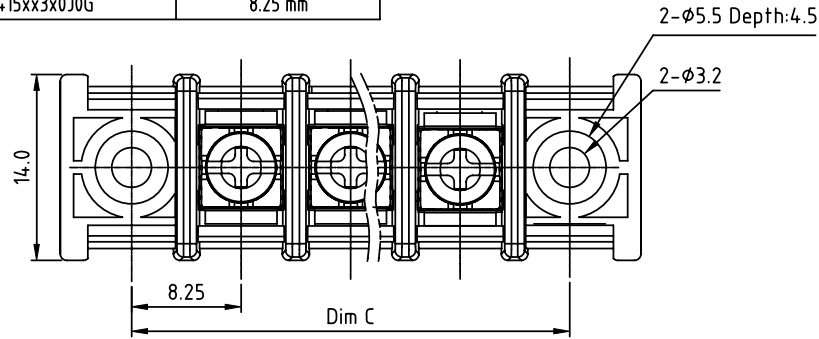
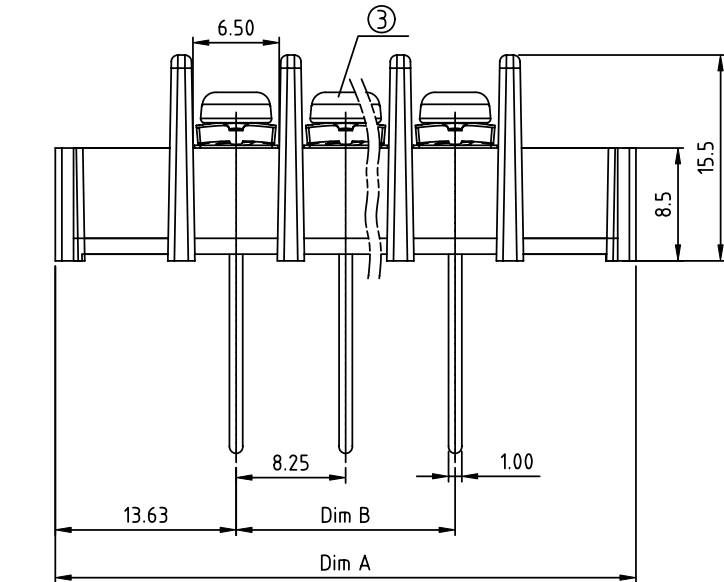
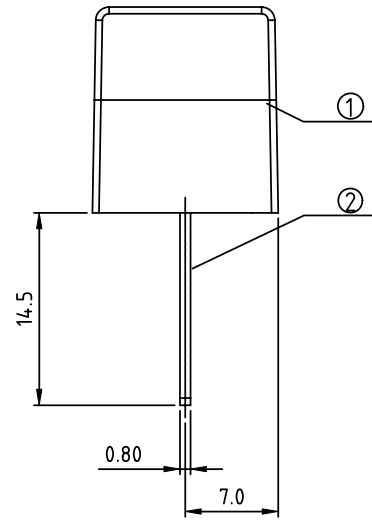


PRODUCT NUMBER	PITCH
YK415xx3x0J0G	8.25 mm



RECOMMENDED P.C.B LAYOUT  
TOP VIEW

- MATERIALS & ELECTRICAL**
- RATED VOLTAGE & CURRENT:** 300 V, 20 A
- WITHSTAND VOLTAGE:** AC 2000 V/Min
- INSULATION RESISTANCE:** 1000 MΩ OR MORE AT DC 500 V
- OPERATING TEMPERATURE RANG:** -40 °C ~ +115 °C
- SCREW TORQUE VALUE:** 8.8 Lb-In.
- WIRE RANGE:** 22 - 12 AWG
- 1) HOUSING:** THERMOPLASTIC, UL 94 V-0 BLACK
- 2) TERMINAL:** BRASS, 0.8t
- 3) TERMINAL SCREWS:** STEEL, M3
- APPROVAL: US



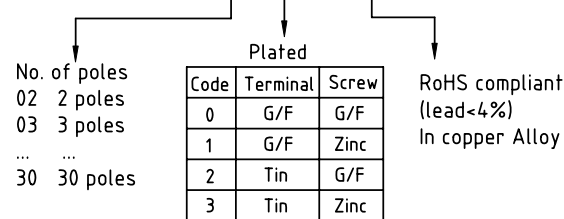
DIMENSION

Dim A	(N+2)×8.25+2.5
Dim B	(N-1)×8.25
Dim C	(N+1)×8.25

N=Number of poles

Poles	Tolerance
2p-5p	±0.25
6p-10p	±0.35
11p-18p	±0.40
19p-30p	±0.50

PART NO.: YK 415xx 3 x 0 J0G



mat'l. code		surface ASME Y14.5 ✓	tolerance ASME Y14.5	projection 	product family TERMINAL BLOCK
ltr	ecn no	dr	date	tolerances unless otherwise specified	title TERMINAL BLOCK
				angles ø X°±1'	MM BARRIER TYPE, WITH FLANGE
				dr EVAN LU 061314	scale
				enr EVAN LU 061314	FCI
				chr HANKE FENG 061314	dwg no YK415xx3x0J0G
				appd SHI JUN 061314	sheet 1 of 1 size A4
sheet index	revision sheet	A	1		type CUSTOMER Drawing