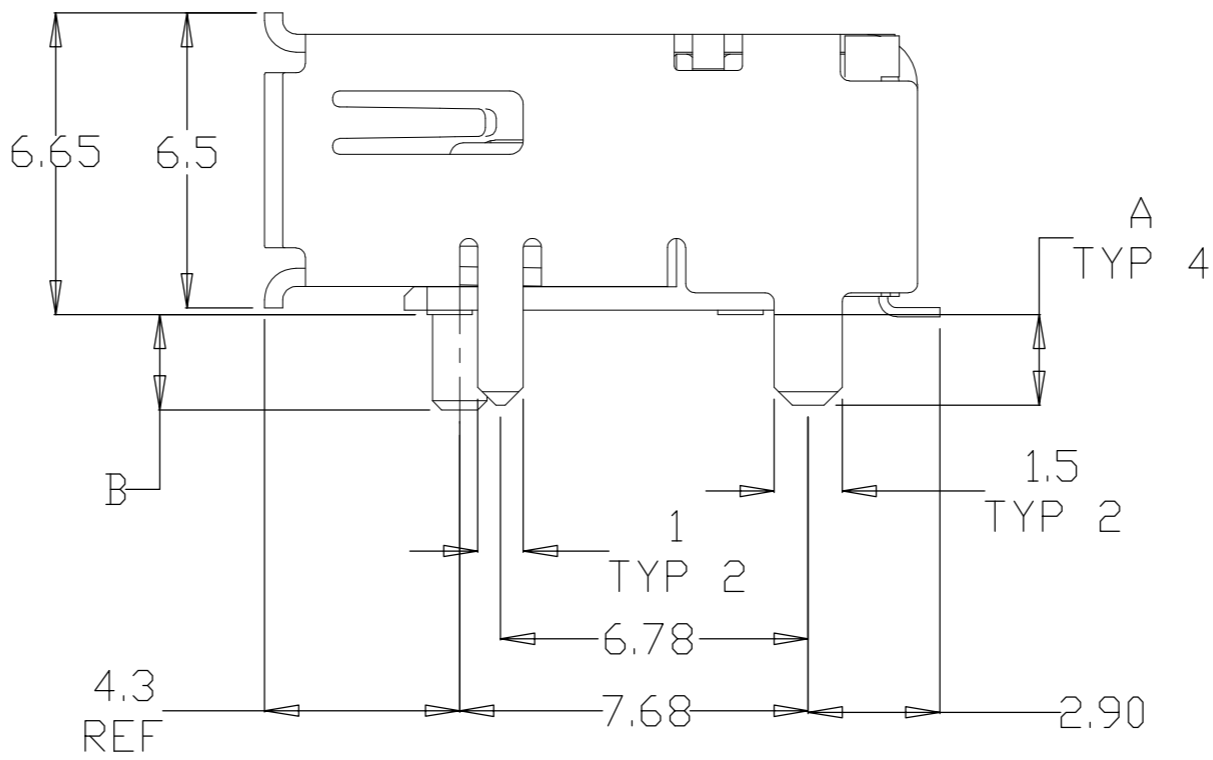
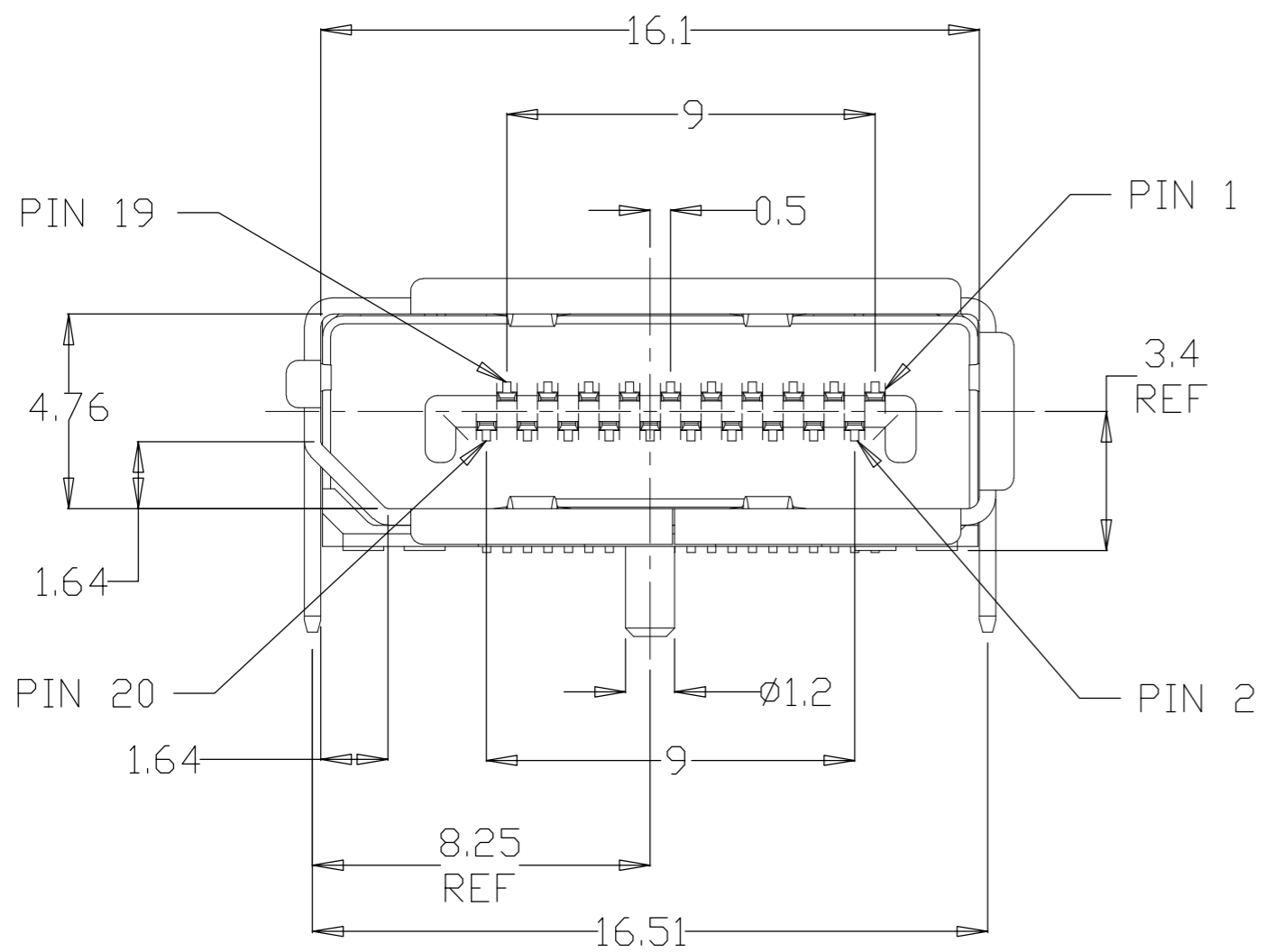
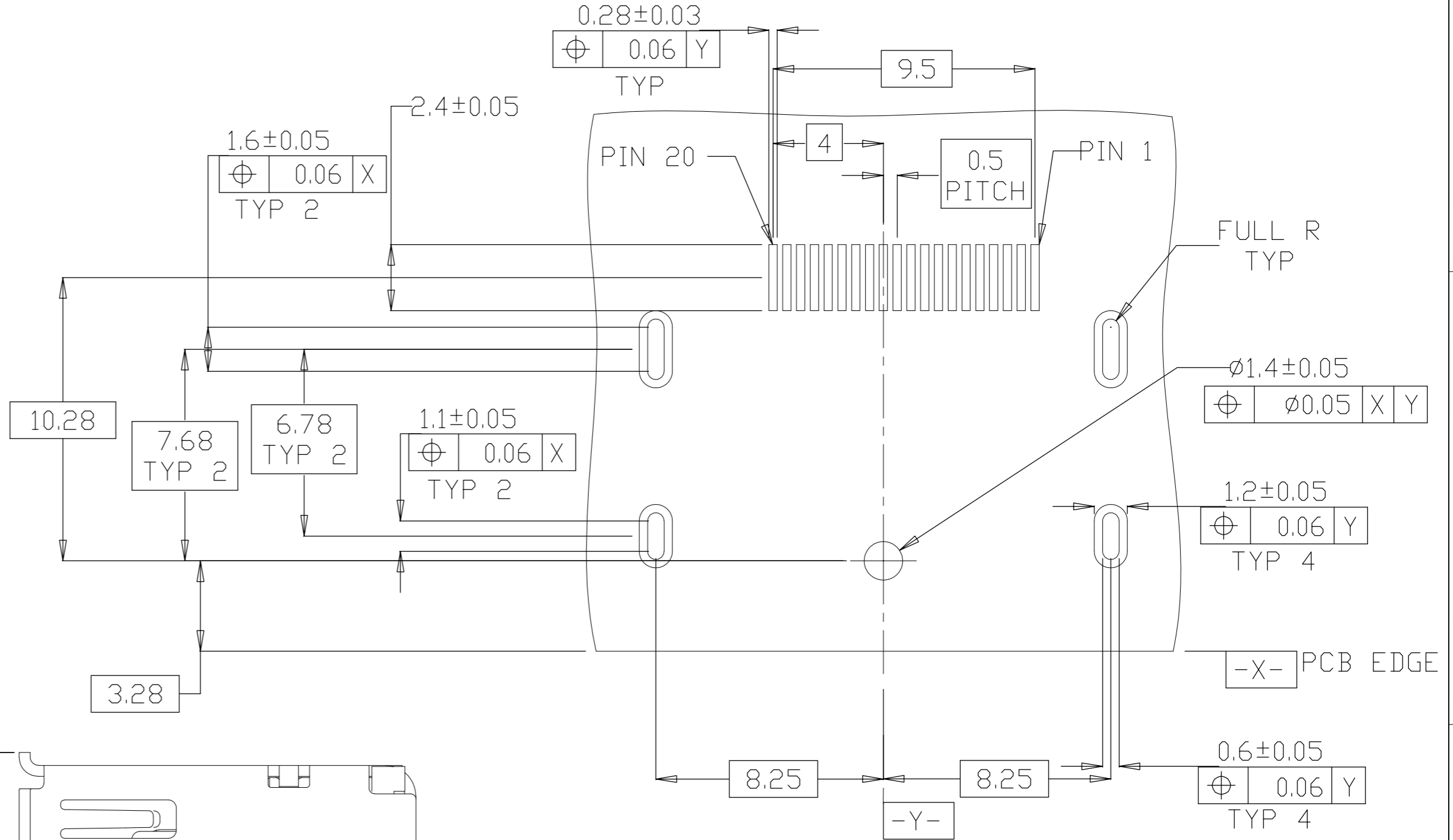
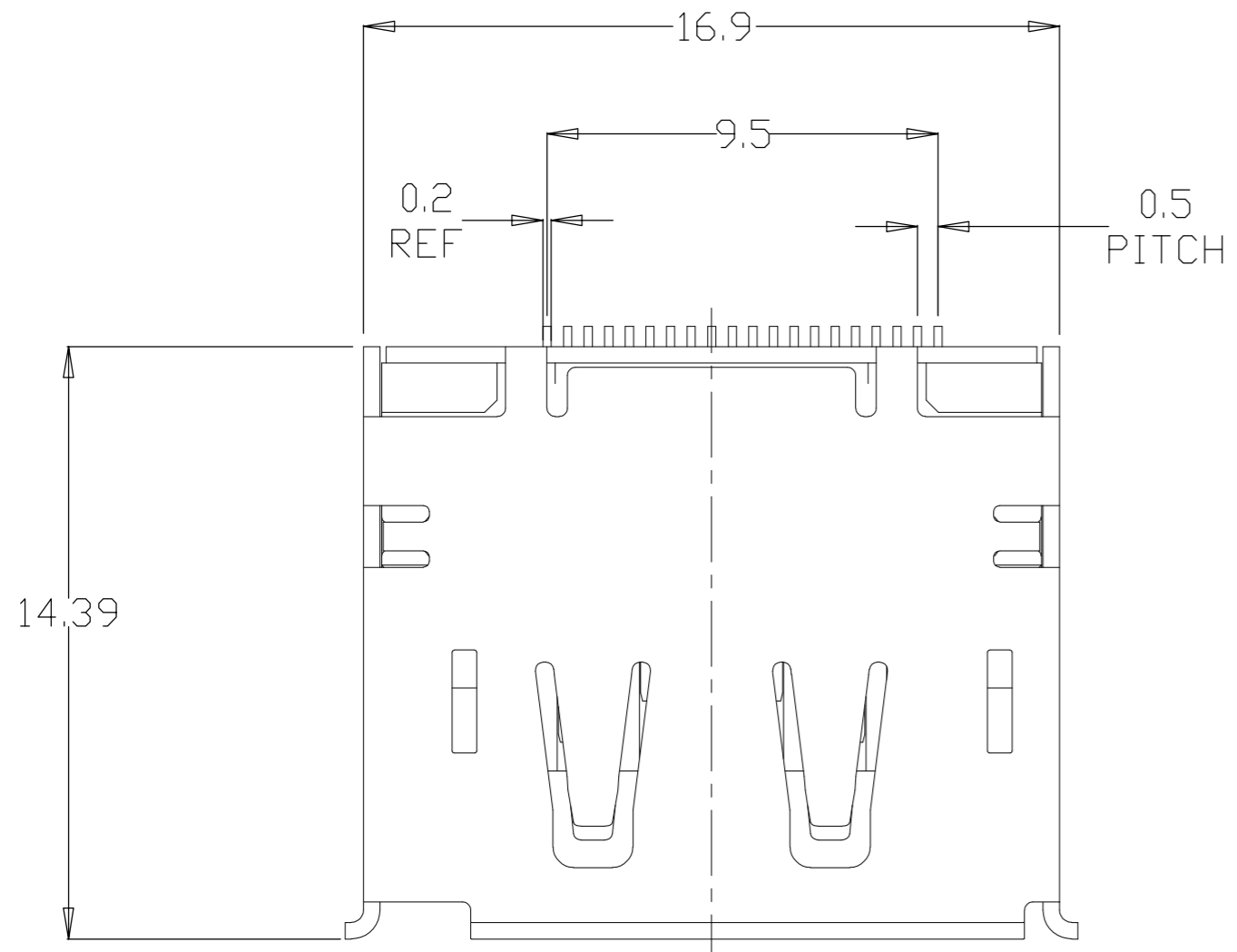
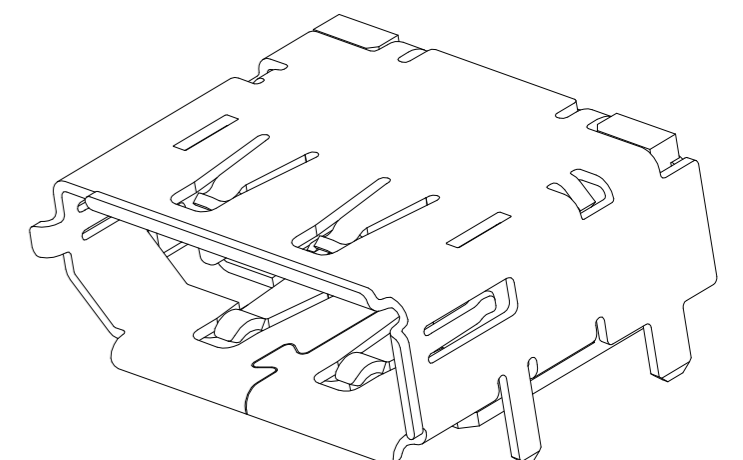


THIS DRAWING IS UNPUBLISHED. RELEASED FOR PUBLICATION
 © COPYRIGHT By - ALL RIGHTS RESERVED.

LOC		DIST		REVISIONS			
P	LTR	DESCRIPTION		DATE	DWN	APVD	
J		A2	REVISED PER ECO-11-005030	11MAR11	RK	HMR	



RECOMMENDED PCB LAYOUT (THICKNESS=1.6±0.1)
MOUNTING SIDE



- NOTES:
- MATERIAL:
HOUSING: HIGH TEMPERATURE THERMAL PLASTIC, BLACK, UL94V-0.
CONTACT: COPPER ALLOY.
SHELL: COPPER ALLOY.
 - FINISH:
CONTACT:
CONTACT AREA: 0.76 MINIMUM MICRON GOLD PLATING OVER 1.27 MINIMUM MICRON NICKEL PLATING ALL
SOLDER TAIL AREA: 2.54 MINIMUM MICRON TIN PLATING.
SHELL: NICKEL PLATING SOLDERABILITY IS WORSE THAN MATT TIN PLATING IN SOME CONDITION.
IN SUCH CASE, PLEASE SELECT MATT TIN PLATING.

MATT TIN	2.1	2	2013655-5
NICKEL	2.1	2	2013655-1
SHELL PLATING	DIM B	DIM A	PART NUMBER

P/N:2013655-1; AS SHOWN

THIS DRAWING IS A CONTROLLED DOCUMENT.		DWN	MARTIN LI	26MAY2007		TE Connectivity		
		CHK	MARTIN LI	26MAY2007		RECEPTACLE ASSEMBLY EDP RA SMT STD STD		
		APVD	STEVEN YAO	26MAY2007		NAME		
		PRODUCT SPEC				APPLICATION SPEC		
DIMENSIONS: mm		TOLERANCES UNLESS OTHERWISE SPECIFIED:			SIZE	CAGE CODE	DRAWING NO	RESTRICTED TO
		0 PLC	± 0.3		A2	00779	C=2013655	
		1 PLC	± 0.3		SCALE		SHEET	REV
		2 PLC	± 0.3		4:1		1 OF 2	A2
		3 PLC	± 0.3		CUSTOMER DRAWING			
		4 PLC	± 0.3					
		ANGLES	± 2°					
MATERIAL		FINISH						

4

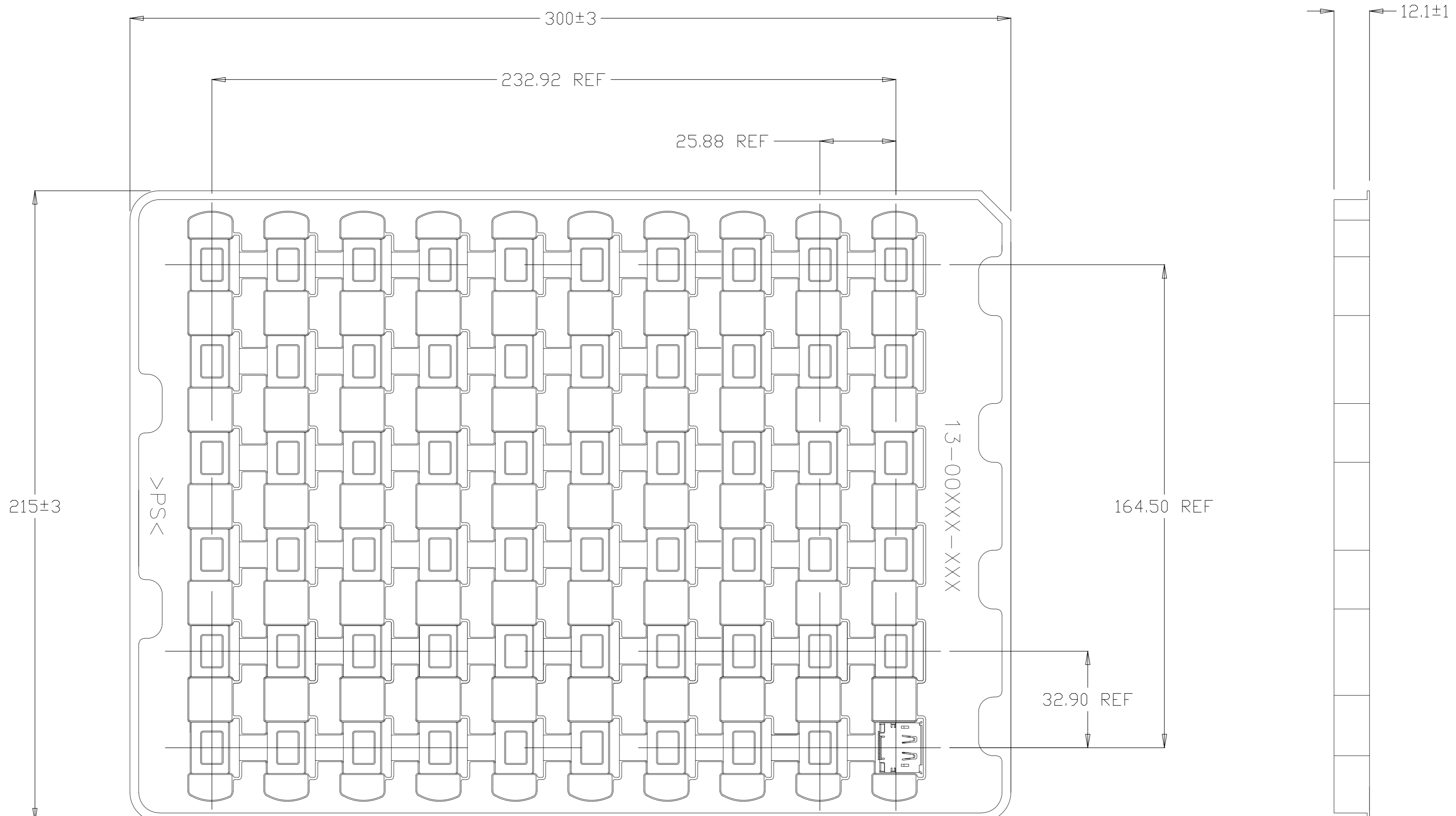
3

2

1

THIS DRAWING IS UNPUBLISHED. RELEASED FOR PUBLICATION
 © COPYRIGHT By - ALL RIGHTS RESERVED.

LOC	DIST	REVISIONS					
J	-	P	LTR	DESCRIPTION	DATE	DWN	APVD
		-		SEE SHEET 1	-	-	-



PACKAGE TARY

THIS DRAWING IS A CONTROLLED DOCUMENT.		DWN				
DIMENSIONS: mm		CHK				
TOLERANCES UNLESS OTHERWISE SPECIFIED: 0 PLC ± 1 PLC ± 2 PLC ± 3 PLC ± 4 PLC ± ANGLES ± FINISH ±		APVD	NAME			
MATERIAL		PRODUCT SPEC	RECEPTACLE ASSEMBLY EDP RA SMT STD			
		APPLICATION SPEC	SIZE	CAGE CODE	DRAWING NO	RESTRICTED TO
		WEIGHT	A2	00779	C=2013655	
		CUSTOMER DRAWING	SCALE	SHEET	REV	
			FREE	2 OF 2	A2	

2013655