

**60**mm sq.

# San Ace 60



## General Specifications

- Material ..... Frame: Plastics (Flammability: UL94V-0),  
Impeller: Plastics (Flammability: UL94V-0)
- Expected Life ..... Refer to specifications (L10:Survival rate:90% at 60°C ,  
rated voltage, and continuously run in a free air state)
- Lead Wire ..... ⊕red ⊖black or blue (Sensor) yellow
- Storage Temperature ..... -30°C to +70°C (Non-condensing)

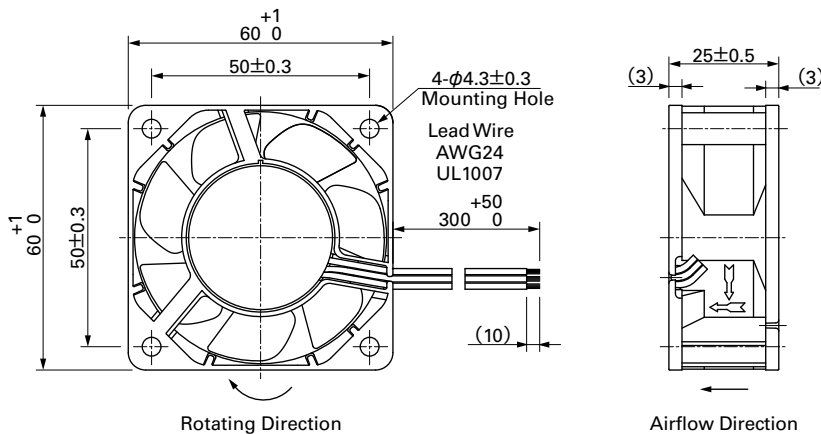
## 60×60×25mm (Mass : 80g) 9Atype San Cooler

**Specifications** The following nos. **have pulse sensors and ribs.** For ribless, append "1" to the model no.

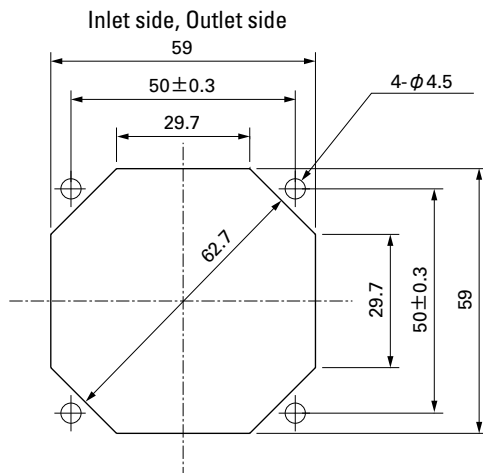
| Model No.  | Rated Voltage [V] | Operating Voltage Range [V] | Rated Current [A] | Rated Input [W] | Rated Speed [min <sup>-1</sup> ] | Max. Airflow [m <sup>3</sup> /min] [CFM] | Max. Static Pressure [Pa] [inchH <sub>2</sub> O] | SPL [dB(A)] | Operating Temperature [°C] | Expected Life [h] |            |             |
|------------|-------------------|-----------------------------|-------------------|-----------------|----------------------------------|--|--|-------------|----------------------------|-------------------|------------|-------------|
| 9A0612G401 | 12                | 6 to 13.2                   | 0.24              | 2.88            | 5,600                            | 0.78 27.6                                | 87.3 0.351                                       | 39          | -20 to +60                 | 30,000/60°C       |            |             |
| 9A0612S401 |                   |                             | 0.17              | 2.04            | 4,600                            | 0.65 23.0                                | 56.8 0.228                                       | 33          |                            |                   |            |             |
| 9A0612H401 |                   | 6 to 13.8                   | 0.11              | 1.32            | 3,800                            | 0.53 18.7                                | 40.2 0.161                                       | 28          |                            |                   | -20 to +70 | 40,000/60°C |
| 9A0612F401 |                   |                             | 0.09              | 1.08            | 3,200                            | 0.44 15.5                                | 29.4 0.118                                       | 24          |                            |                   |            |             |
| 9A0612M401 |                   |                             | 0.06              | 0.72            | 2,600                            | 0.36 12.7                                | 19.6 0.079                                       | 20          |                            |                   |            |             |
| 9A0624G401 | 24                | 12 to 27.6                  | 0.13              | 3.12            | 5,600                            | 0.78 27.6                                | 87.3 0.351                                       | 39          | -20 to +60                 | 30,000/60°C       |            |             |
| 9A0624S401 |                   |                             | 0.08              | 1.92            | 4,600                            | 0.65 23.0                                | 56.8 0.228                                       | 33          |                            |                   |            |             |
| 9A0624H401 |                   | 12 to 27.6                  | 0.06              | 1.44            | 3,800                            | 0.53 18.7                                | 40.2 0.161                                       | 28          |                            |                   | -20 to +70 | 40,000/60°C |
| 9A0624F401 |                   |                             | 0.05              | 1.2             | 3,200                            | 0.44 15.5                                | 29.4 0.118                                       | 24          |                            |                   |            |             |
| 9A0624M401 |                   |                             | 0.04              | 0.96            | 2,600                            | 0.36 12.7                                | 19.6 0.079                                       | 20          |                            |                   |            |             |

Other sensor specifications are available as options. Please refer to the index (pp. 499 to 500).

## Dimensions (unit: mm) (With ribs)



## Reference Dimensions of Mounting Holes and Vent Opening (unit: mm)

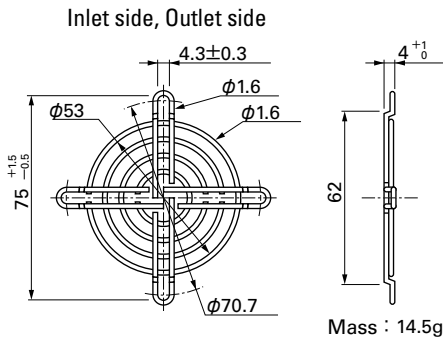


Options (unit: mm)

Finger Guards

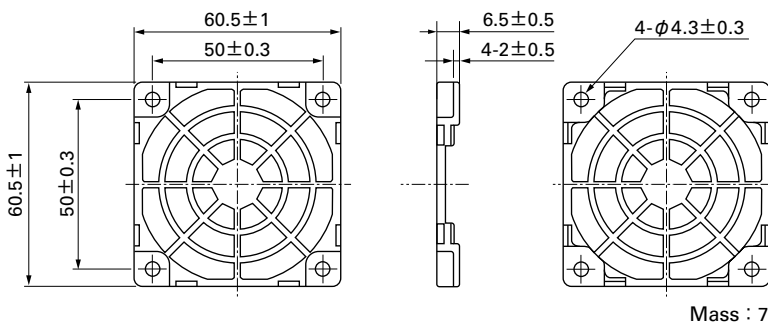
Model : 109-139E Surface treatment : Nickel-chrome plating (silver)  
 : 109-139H : Cation electropainting (black)

Color



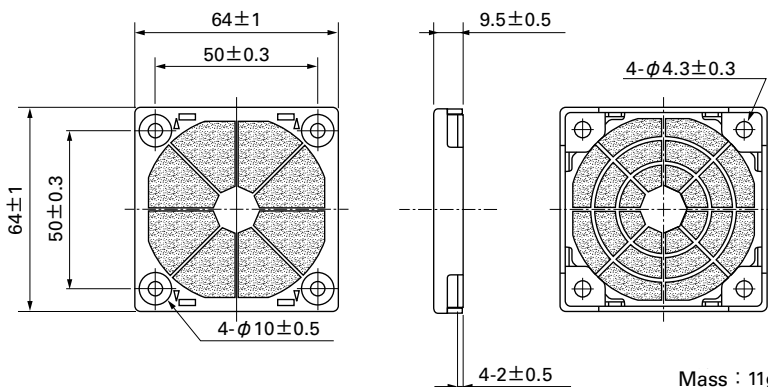
Resin Finger Guards

Model : 109-1003G

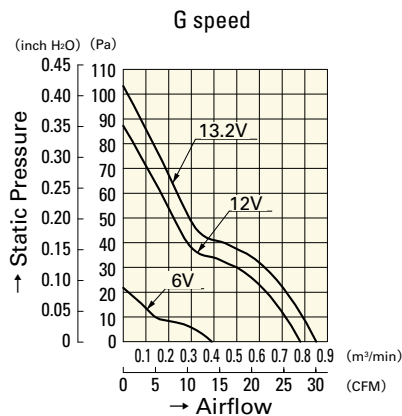


Resin Filter Kits

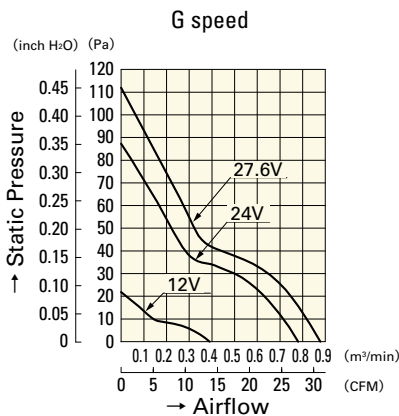
Model : 109-1003F13 (13PPI), 109-1003F20 (20PPI)  
 : 109-1003F30 (30PPI), 109-1003F40 (40PPI)



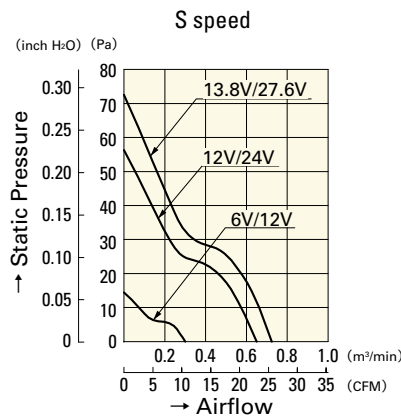
Airflow - Static Pressure Characteristics



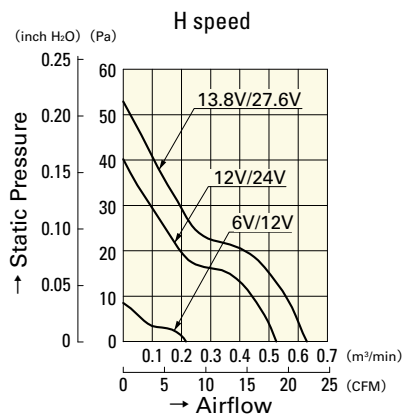
9A0612G401



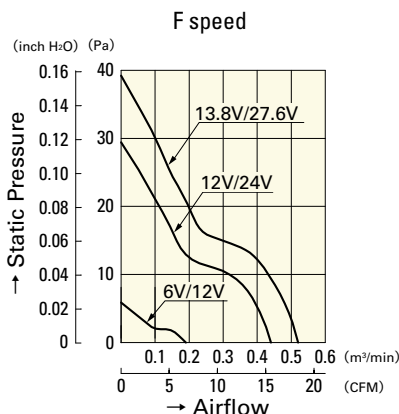
9A0624G401



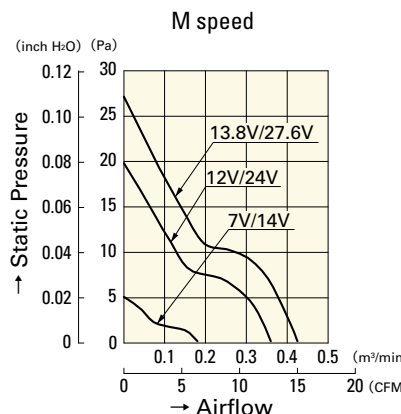
9A0612S401  
9A0624S401



9A0612H401  
9A0624H401



9A0612F401  
9A0624F401



9A0612M401  
9A0624M401