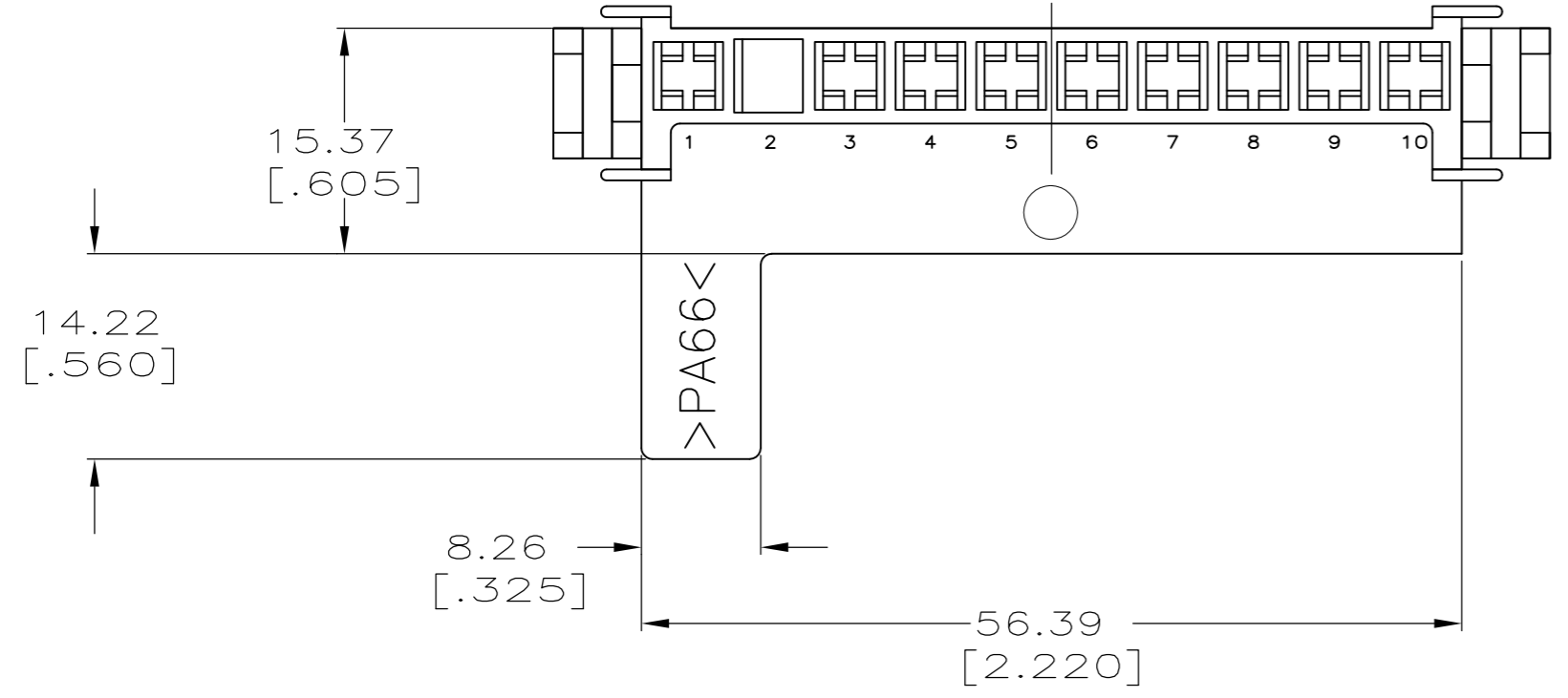
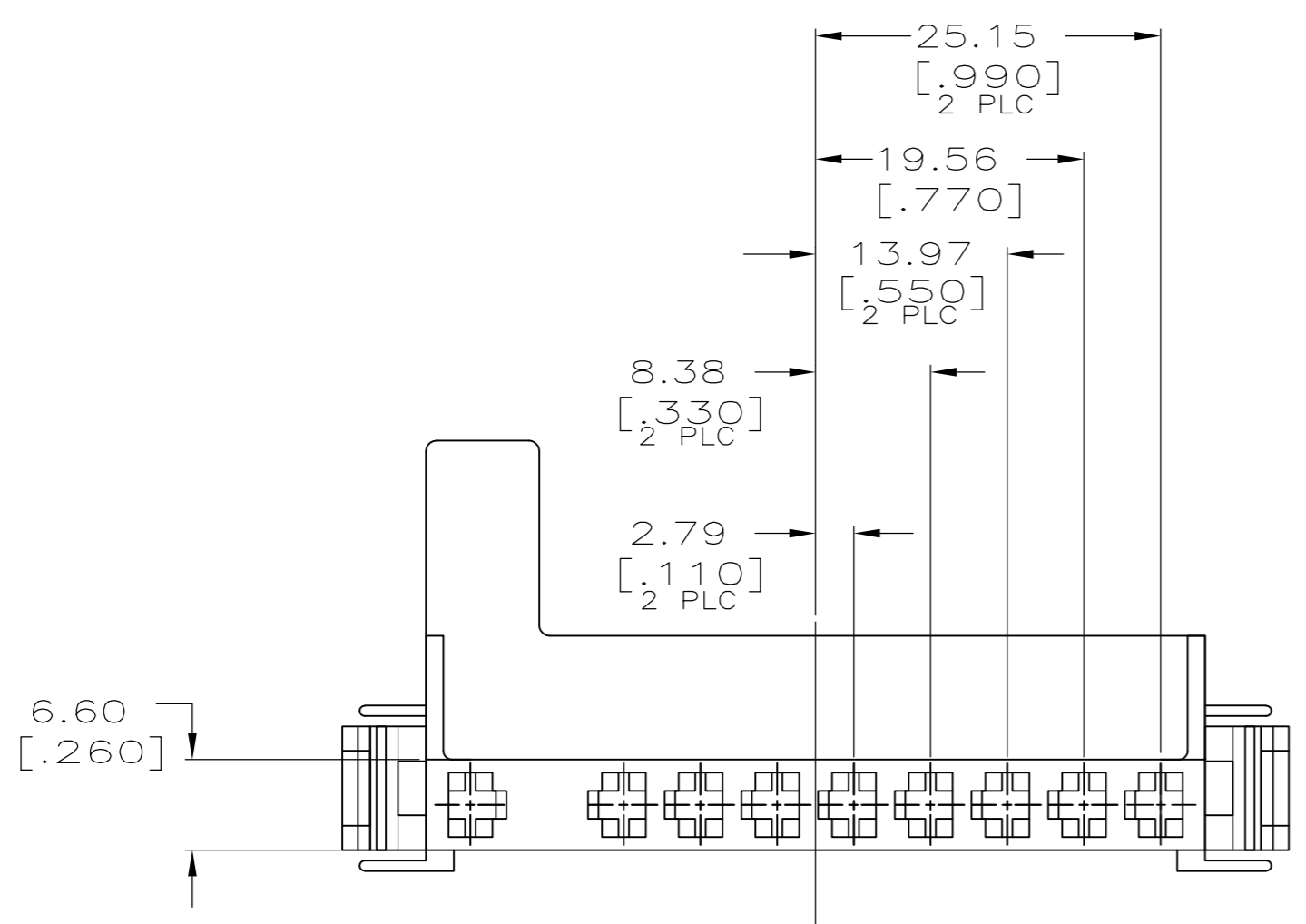
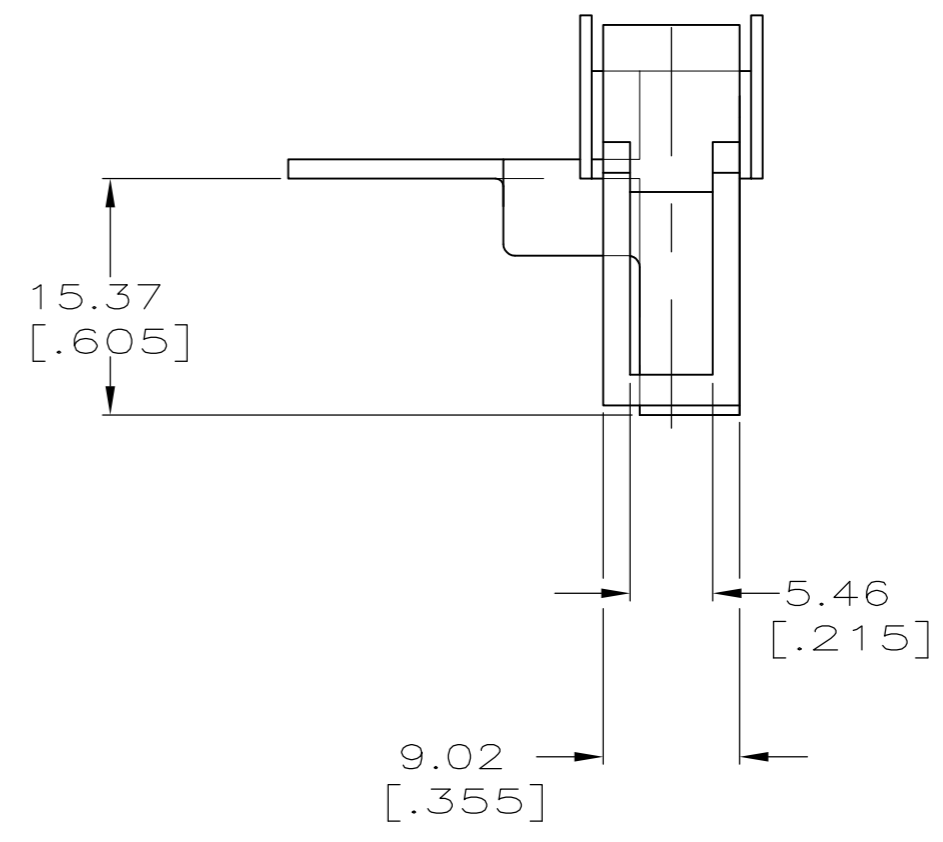
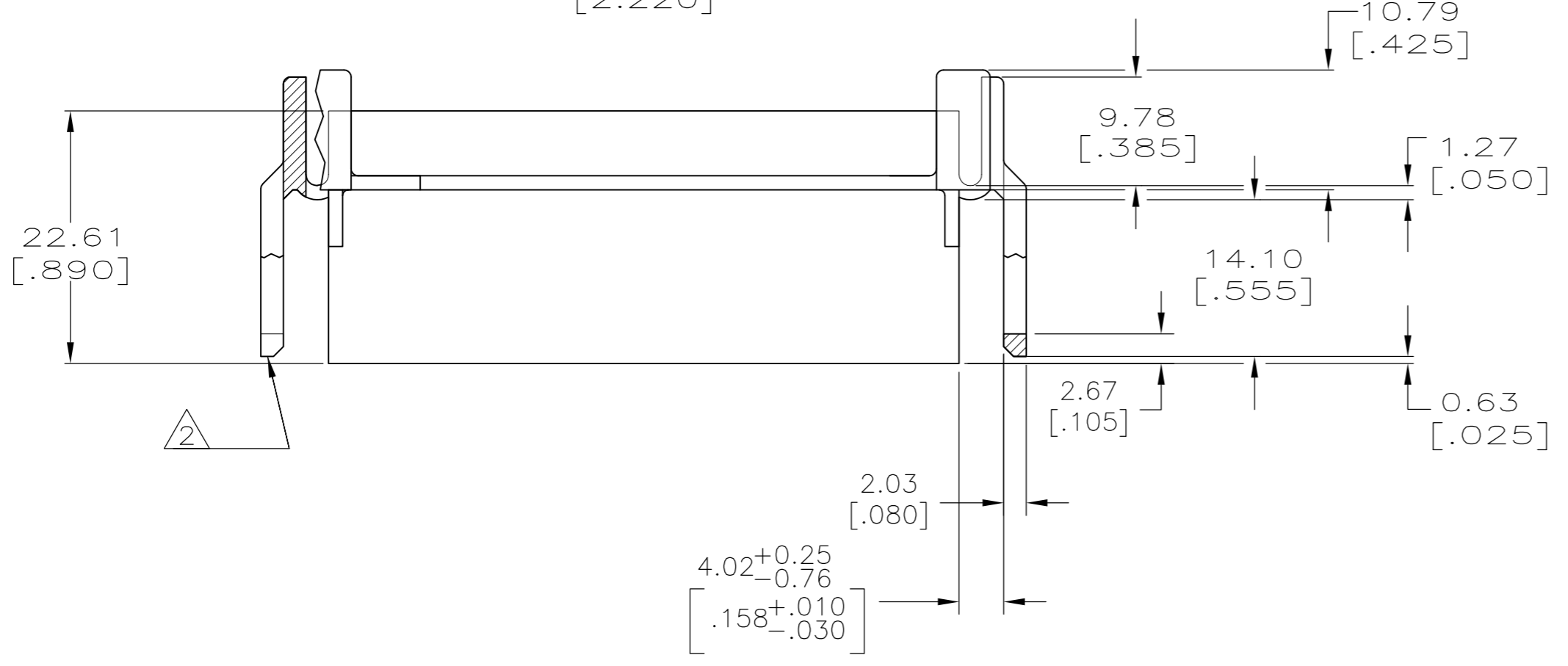


THIS DRAWING IS UNPUBLISHED. RELEASED FOR PUBLICATION  
 © COPYRIGHT BY TYCO ELECTRONICS CORPORATION. ALL INTERNATIONAL RIGHTS RESERVED.

LOC	DIST	REVISIONS			
P	LTR	DESCRIPTION	DATE	DWN	APVD
AF	50	H1	REVISED PER ECO-11-003746	22FEB11	HMR GJ



- 1 HOUSING ACCEPTS (9) 3.18 [.125] BLADE RECEPTACLE AMP PART NUMBERS 61603-1 AND 61604-1.
- 2 0.89 [.035] FLASH ALLOWED ON TIP OF EXTERNAL LATCHES.
- 3 PRELIMINARY - NOT FOR PRODUCTION.



NYLON, V-0	BLACK	3 521165-3
NYLON 6/6	NATURAL	521165-2
NYLON 6/6	BLACK	521165-1
MATERIAL	COLOR	PART NO

THIS DRAWING IS A CONTROLLED DOCUMENT.		DWN PHILLIP M FORTNEY 24/JUN/98	Tyco Electronics Corporation Harrisburg, PA 17105-3608	
DIMENSIONS: mm [INCHES]		CHK JEFF R RUTH 24/JUN/98	NAME D BRATINA	
TOLERANCES UNLESS OTHERWISE SPECIFIED:		APVD 25JUN98	PRODUCT SPEC 108-1718	
0 PLC ± -		APPLICATION SPEC 114-49003		
1 PLC ± -		SIZE A2		
2 PLC ± 0.25 [.010]		CAGE CODE 00779		
3 PLC ± -		DRAWING NO C=521165		
4 PLC ± -		RESTRICTED TO -		
FINISH SEE TABLE		SCALE 2:1		
MATERIAL SEE TABLE		SHEET 1 OF 1		
CUSTOMER DRAWING		REV H1		