

© 1972 BY AMP INCORPORATED. ALL RIGHTS RESERVED. AMP PRODUCTS COVERED BY PATENTS AND/OR PATENTS PENDING. APPROVED PER GOVT CONTRACT NO.

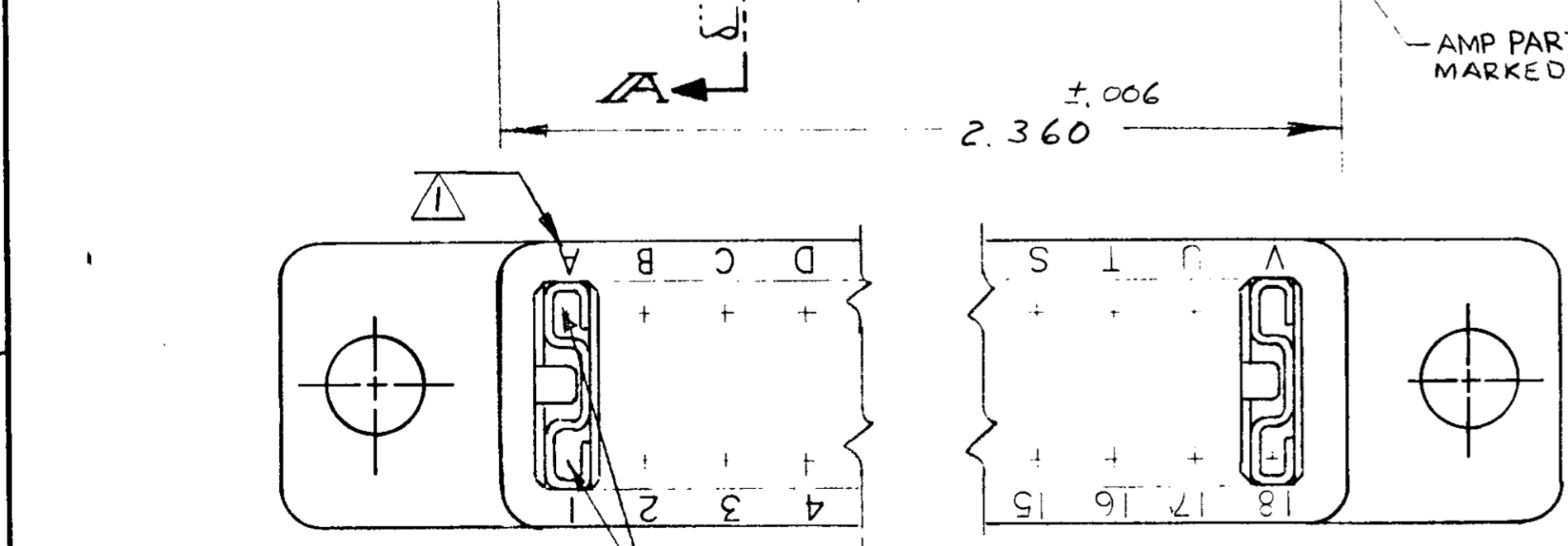
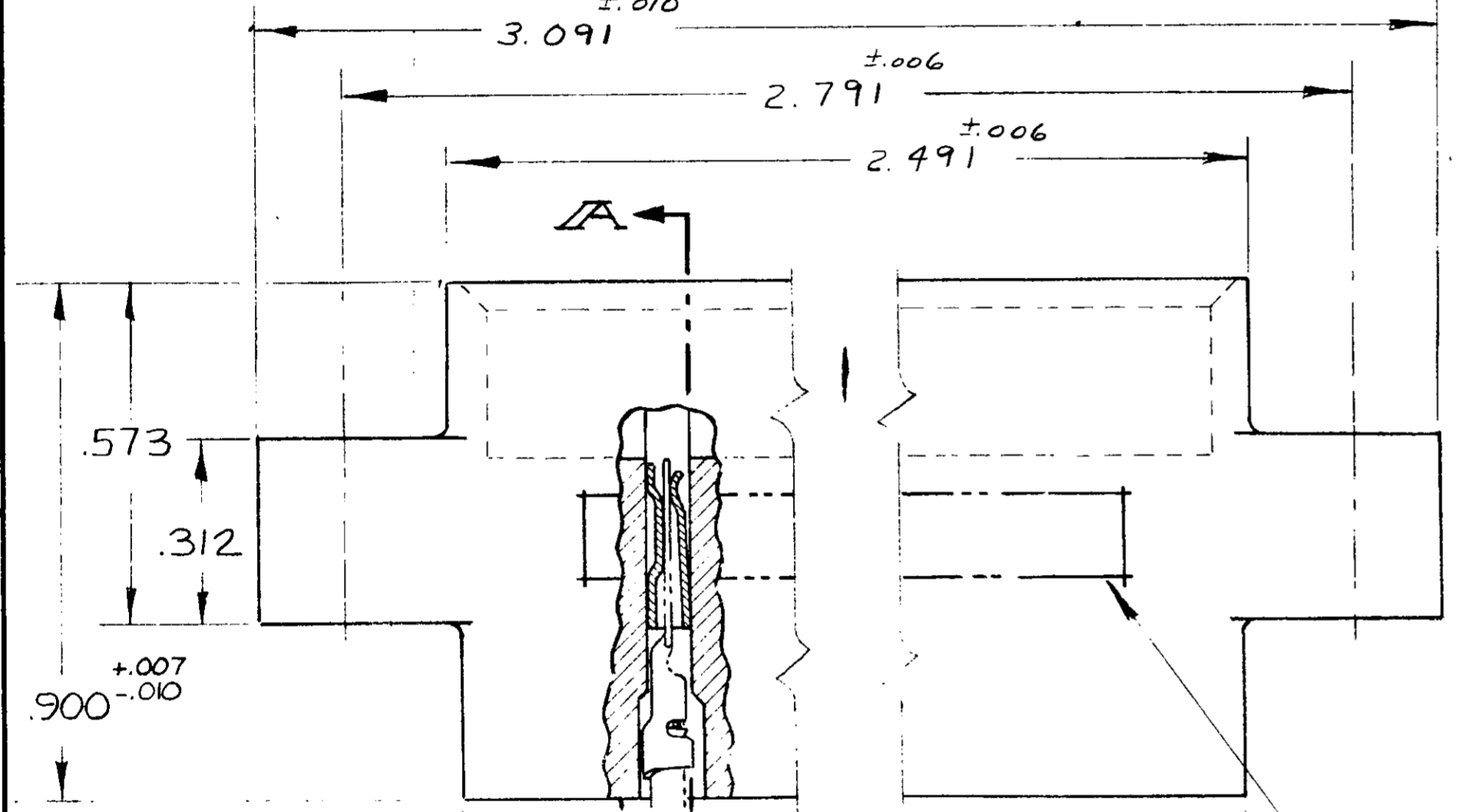
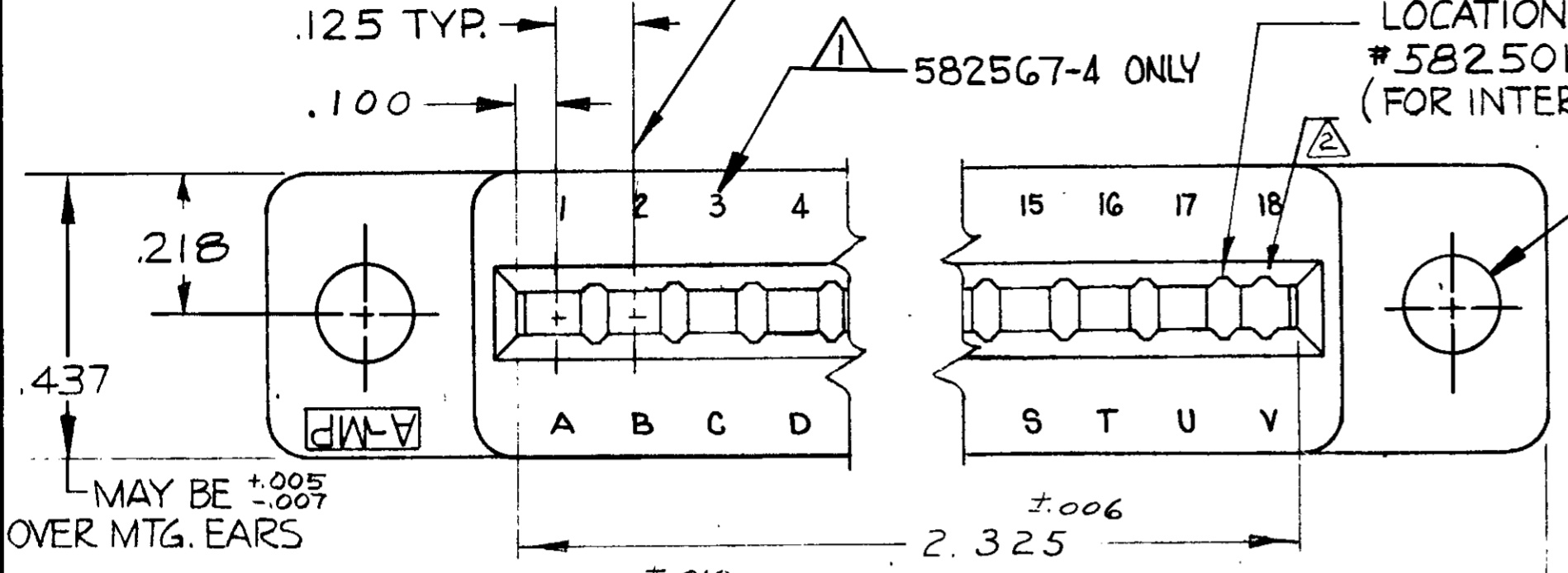
LOCATION FOR AMP-TAB RECEPTACLE CONTACT (TYP.)

LOCATION FOR KEYING PLUG #582501-1 (FOR INTER-CONTACT KEYING)

582567-4 ONLY

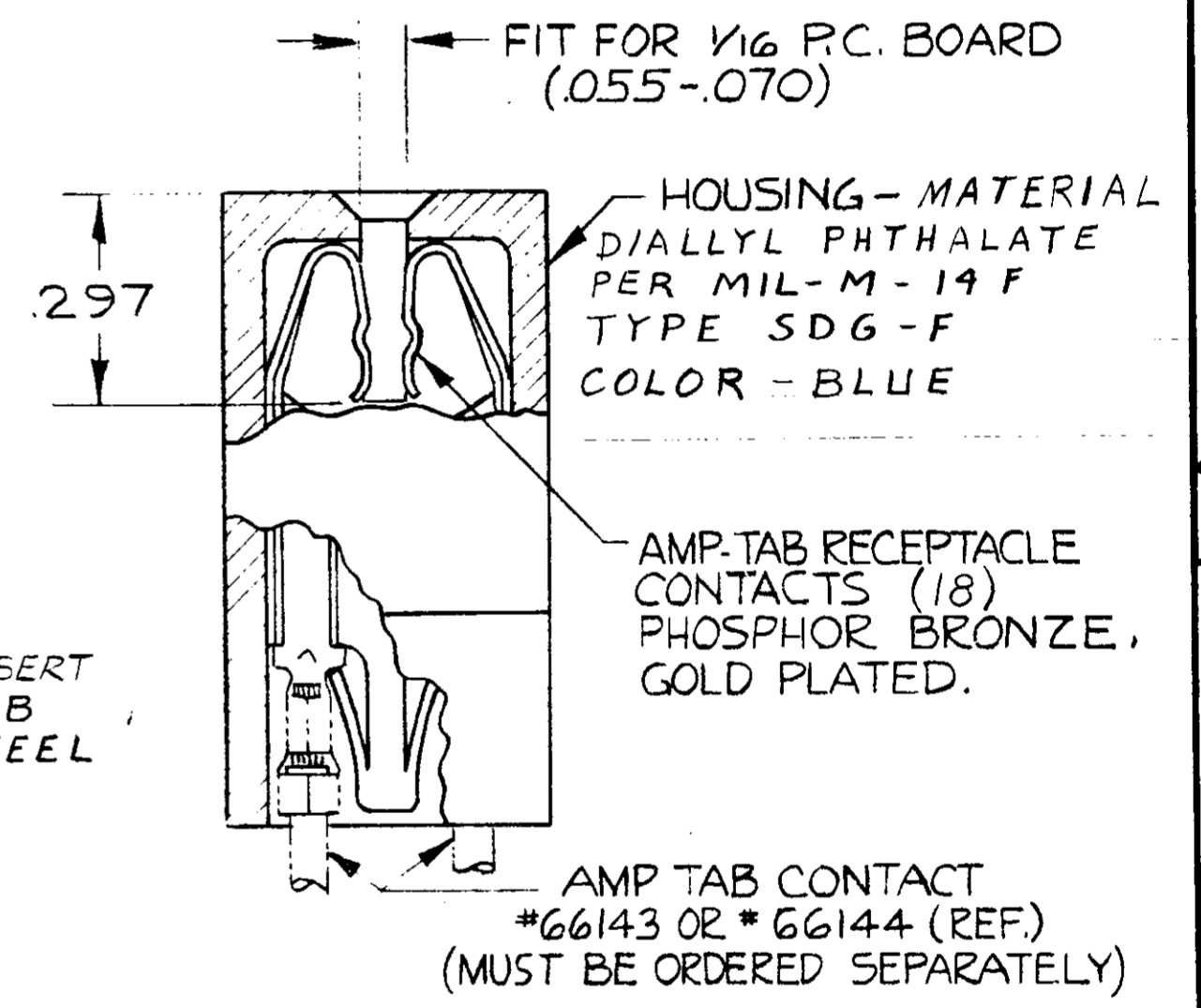
1/8" DIA. HOLE (2) PLACES

REVISIONS				
ZONE	LTR	DESCRIPTION	DATE	APPROVED
	V	REDRAWN AND REVISED 2334	3-11-70	D.H.
	W	REVISED 6126 m.s.	7-18-79	
	X	ADDED -4 6815 102.	11-9-83	HWR
	Y	OBS -18-2 AD1095	2-7-86	CP
	Y1	OBS -3 PER AD1254	4/20/86	CP/GS
	Z	REVISED PER 0600-3683-95 TA	10-95	J.WARNER
	AA	ECO-08-020973 PY	11-08	JW



- △ UPPER CASE LETTERS 1ST ALPHABET, LOWER CASE LETTERS 2ND ALPHABET FOR HOUSINGS LARGER THAN 20 POSITIONS. OMIT LETTERS G, I, O, S, Z. CIRCUIT CAVITY IDENTIFICATION MARKING PER MIL-C-21097.
- △ GROOVES FOR "ON CONTACT KEYING" AMP'S OPTION DEPENDING ON METHOD OF MANUFACTURE. FOR "ON CONTACT" KEYING USE KEYING PLUG P/N 583487-1. (MUST BE ORDERED SEPARATELY)

3. LASER MARKING ACCEPTABLE FOR ALL MARKING



AMP PART NUMBER AND DATE CODE MARKED THIS AREA

PART NO.	J DIA.	REMARKS
582567-3		THREADED INSERTS OBS
582567-2	.150	OBS
582567-1	.128	OBS

PART NO.	J DIA.	REMARKS
582567-4	#	SPECIAL MARKING THREADED INSERTS

UNLESS OTHERWISE SPECIFIED DIMENSIONS ARE IN INCHES TOLERANCES ON FRACTIONS DECIMALS ANGLES ± # ± .005 ± #		CONTRACTING	
MATERIAL		DR	DATE
HEAT TREAT		CHK	DATE
FINISH		DSGN ENGR	DATE
OTHER APPD		APPD	DATE
OTHER APPD		DATE	DATE

AMP INCORPORATED HARRISBURG, PENNSYLVANIA	
18 POSITION AMP-TAB CONNECTOR .125 CENTERS DUAL	
SIZE C	CODE IDENT NO 00779
NUMBER 582567	REV AA
SCALE 4 -	SHEET 1 OF 1

AMP INFO LOC PRINT DIST FFO

CUSTOMER DRAWING

NUMBER 582567