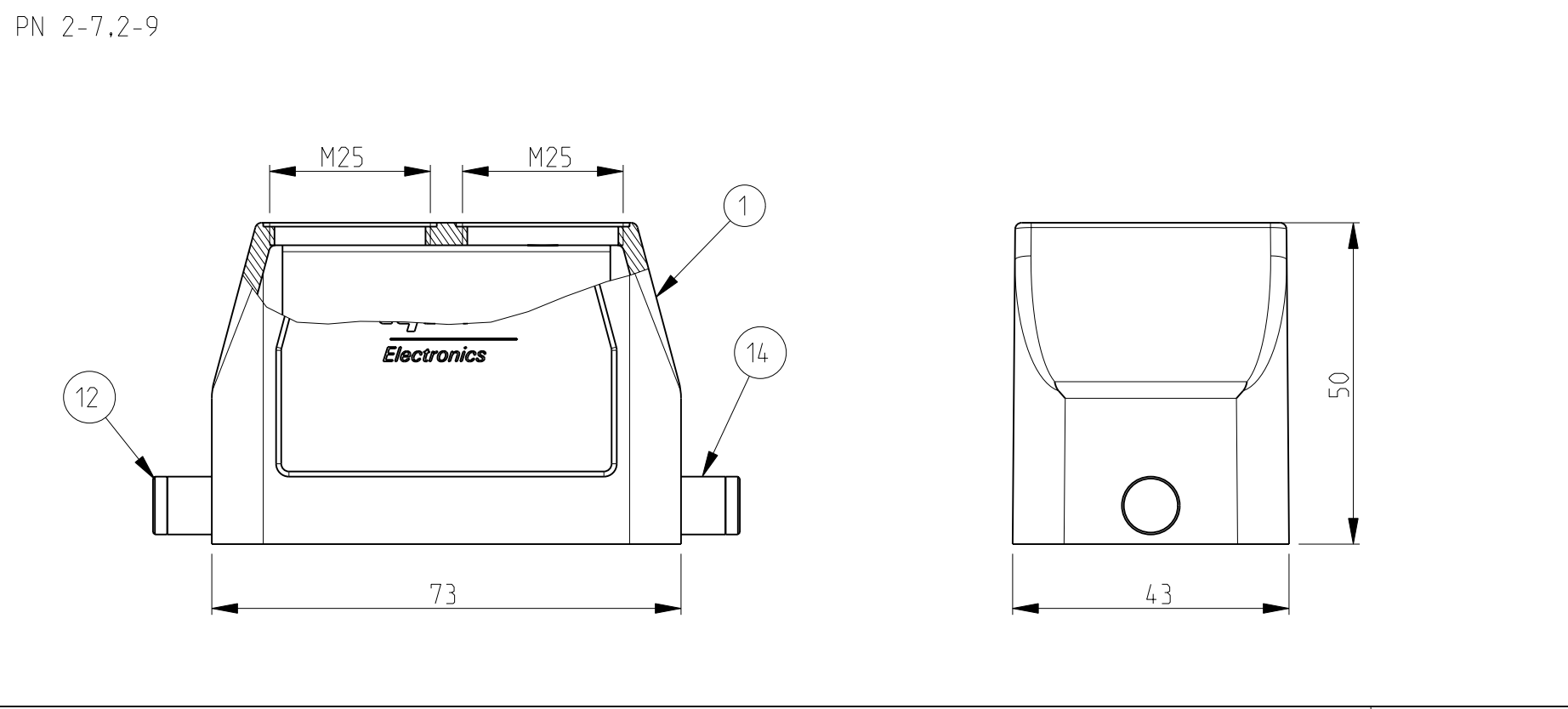
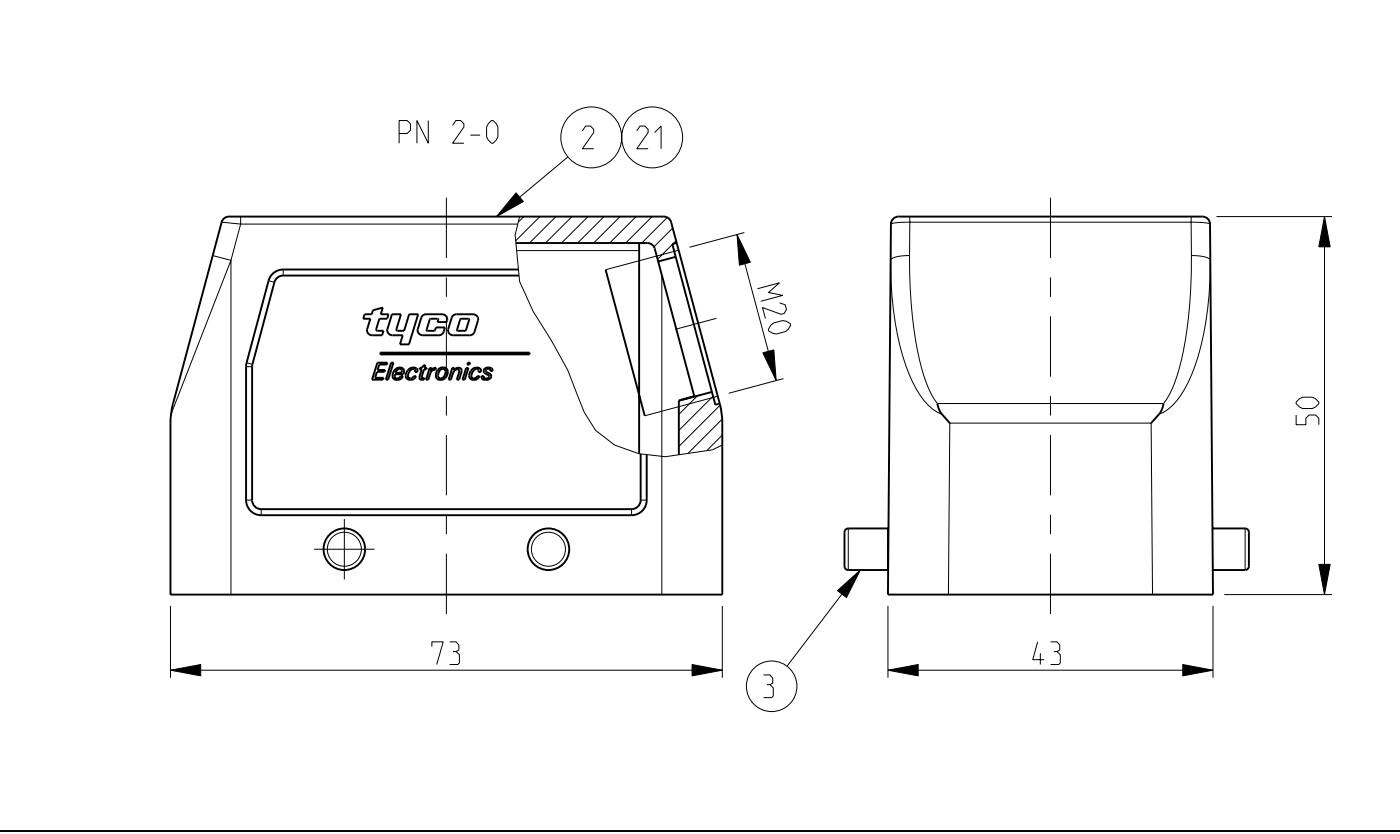
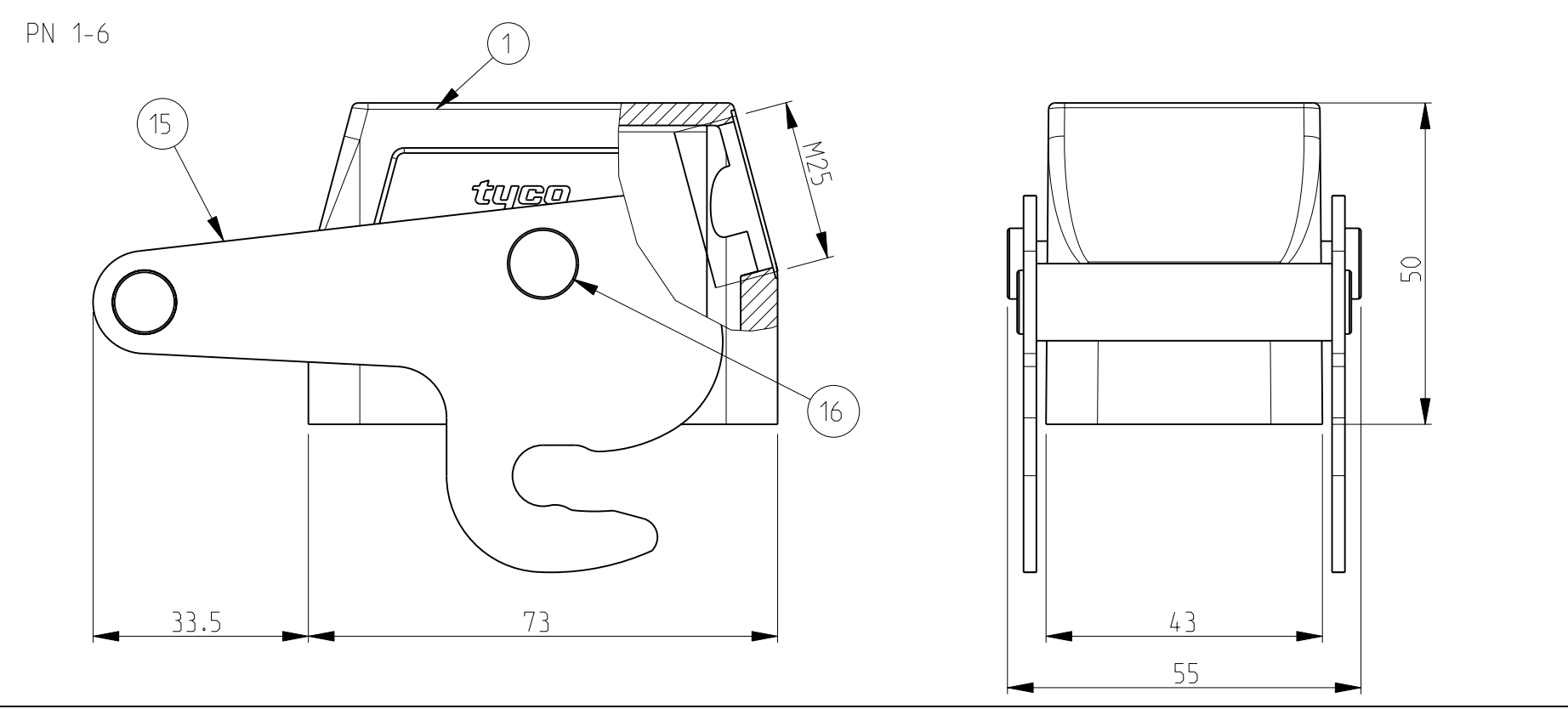
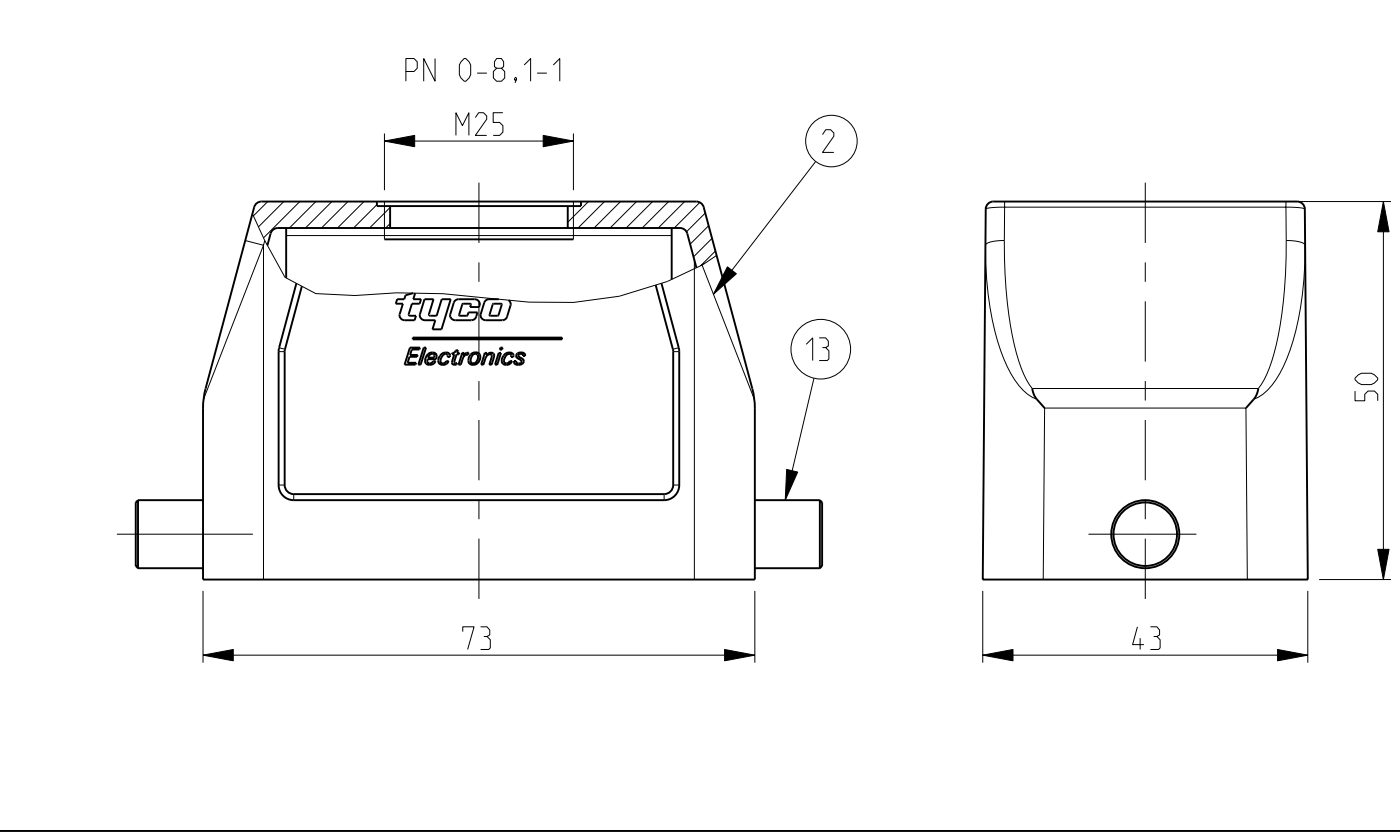
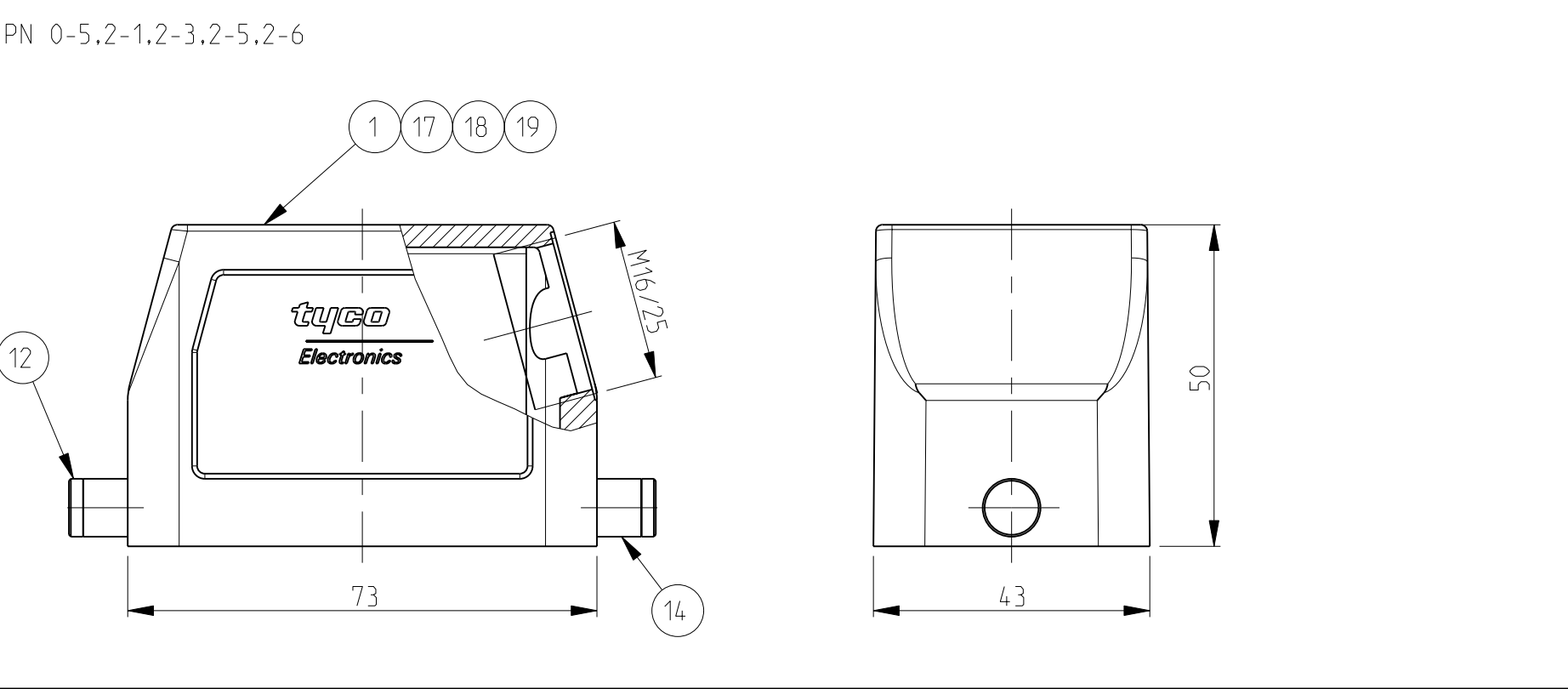
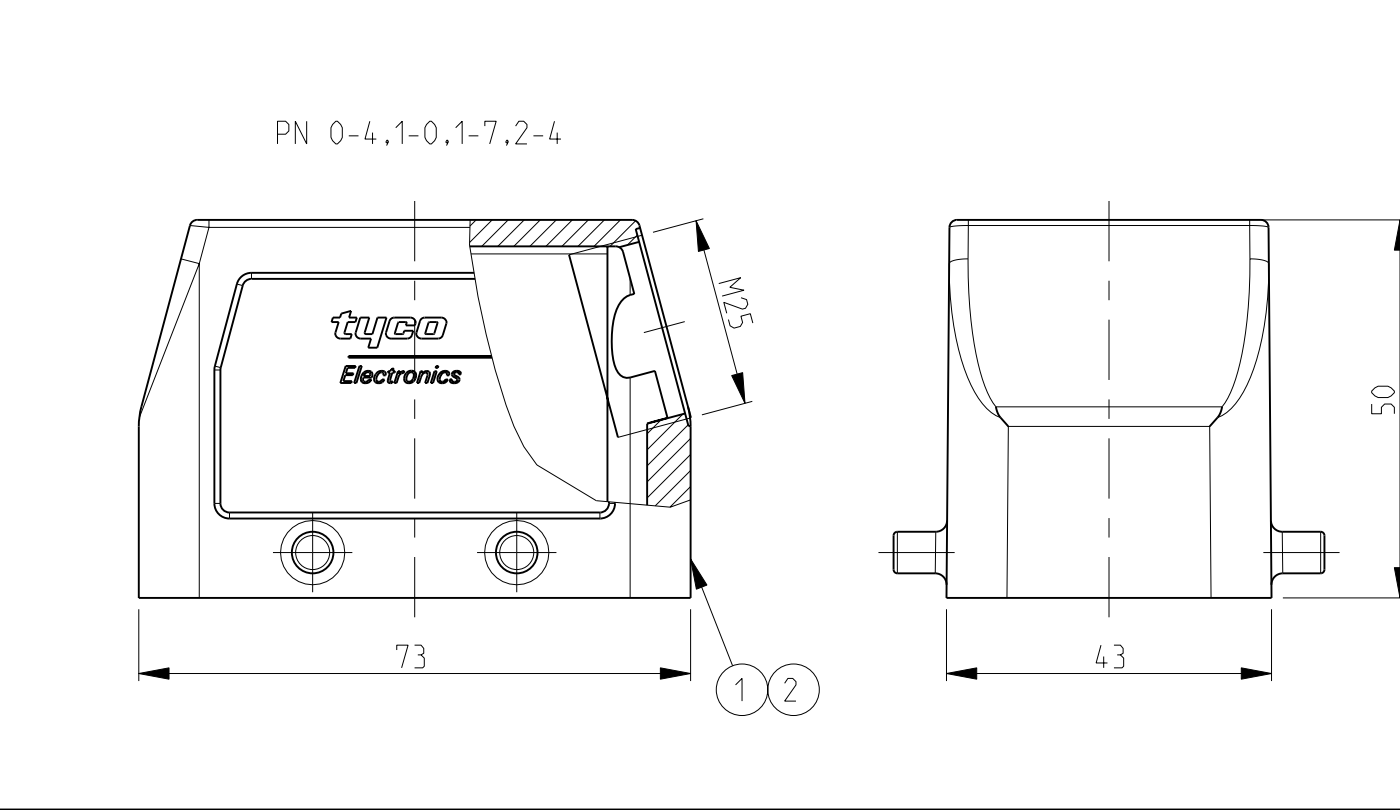
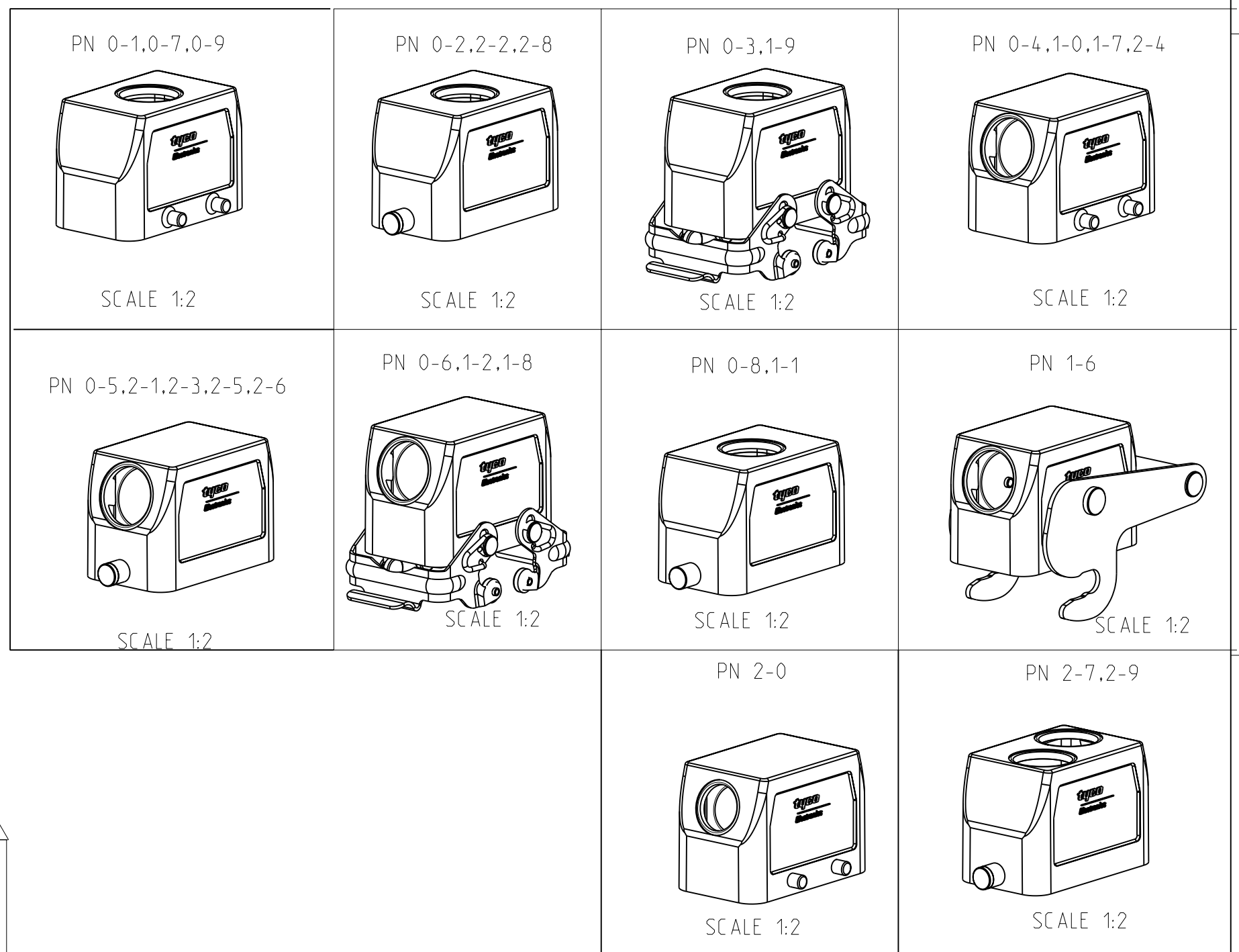
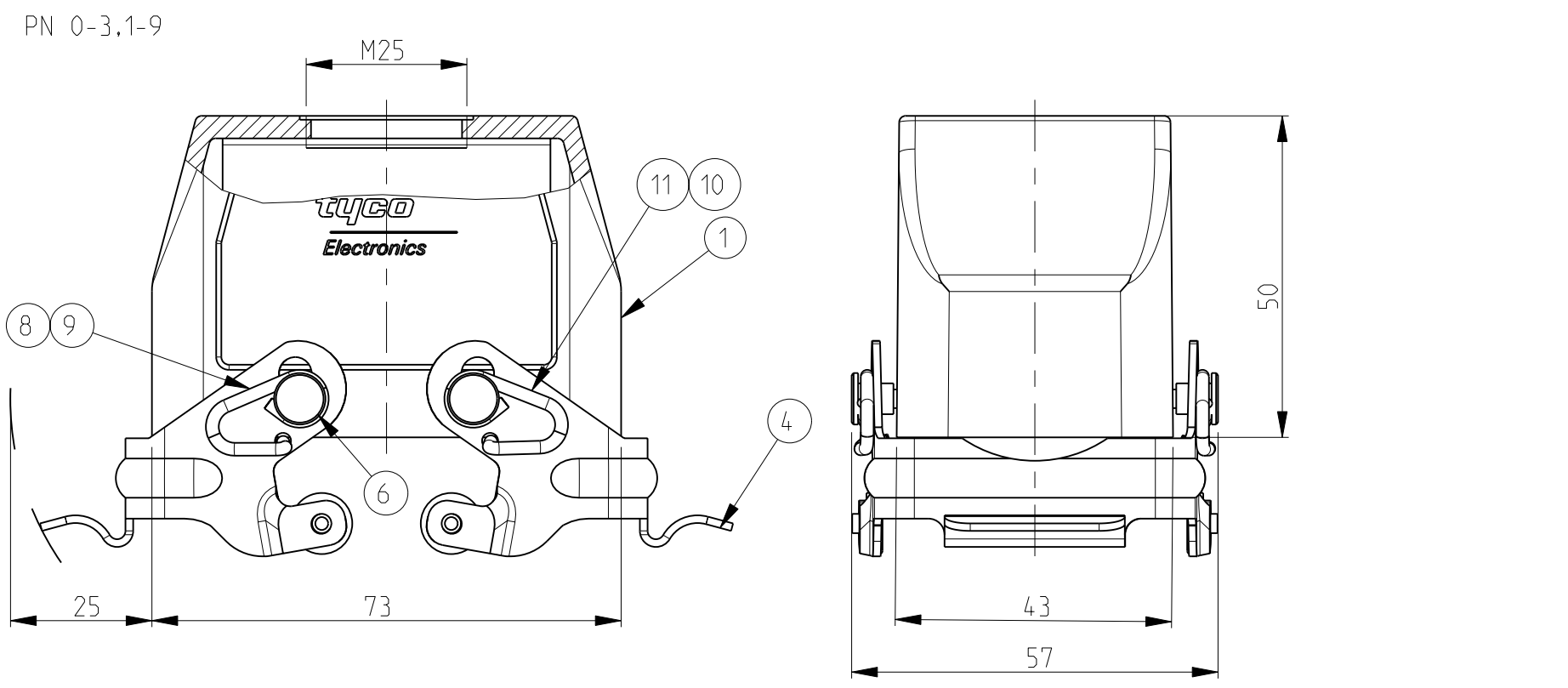
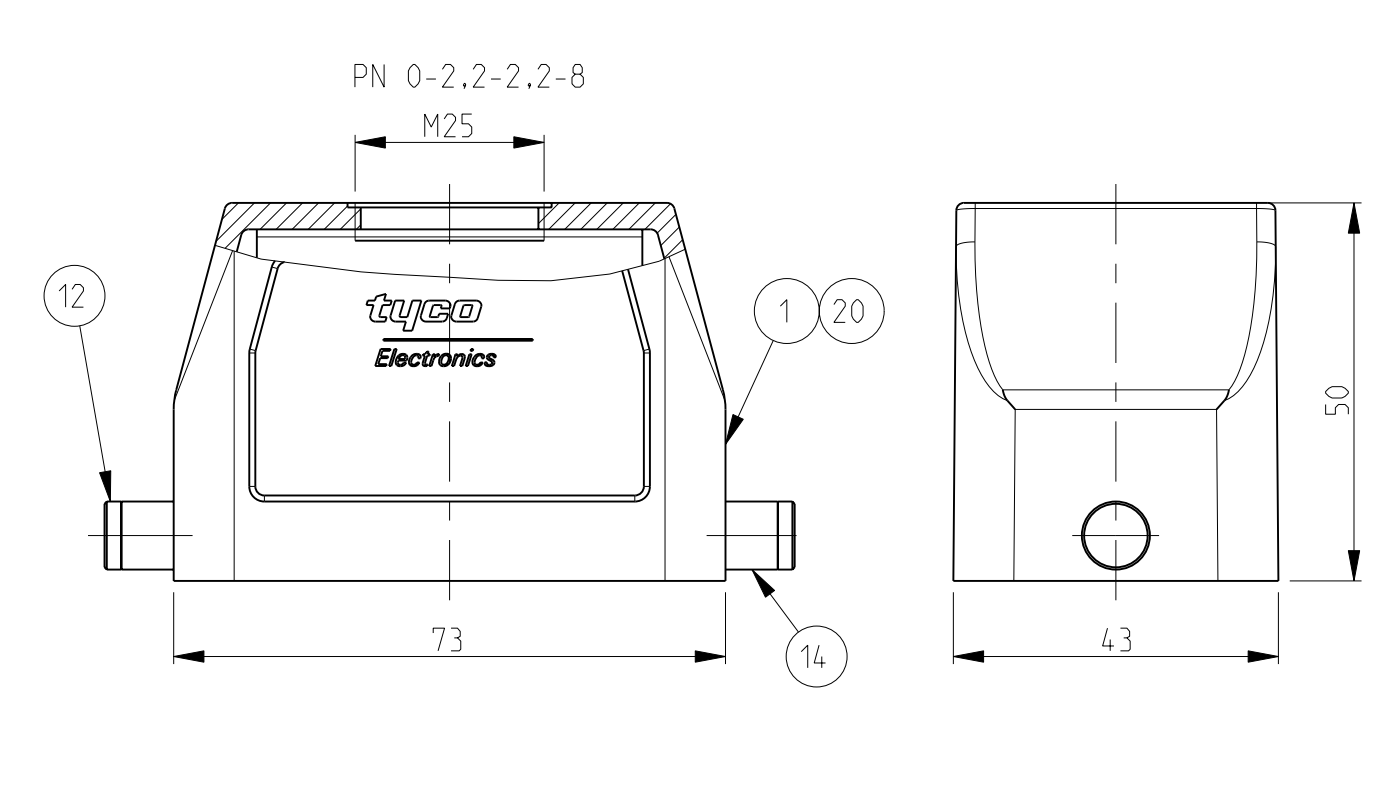
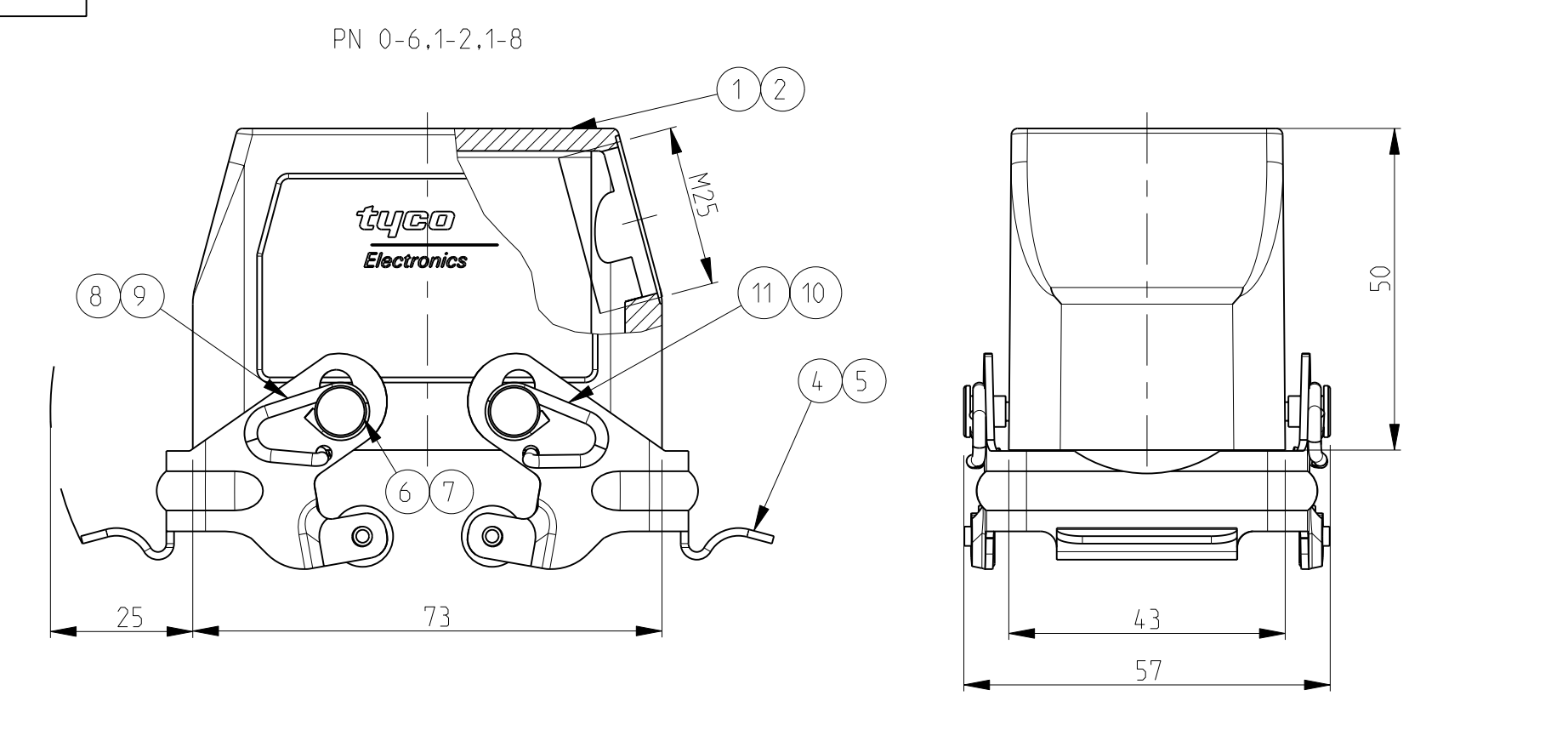
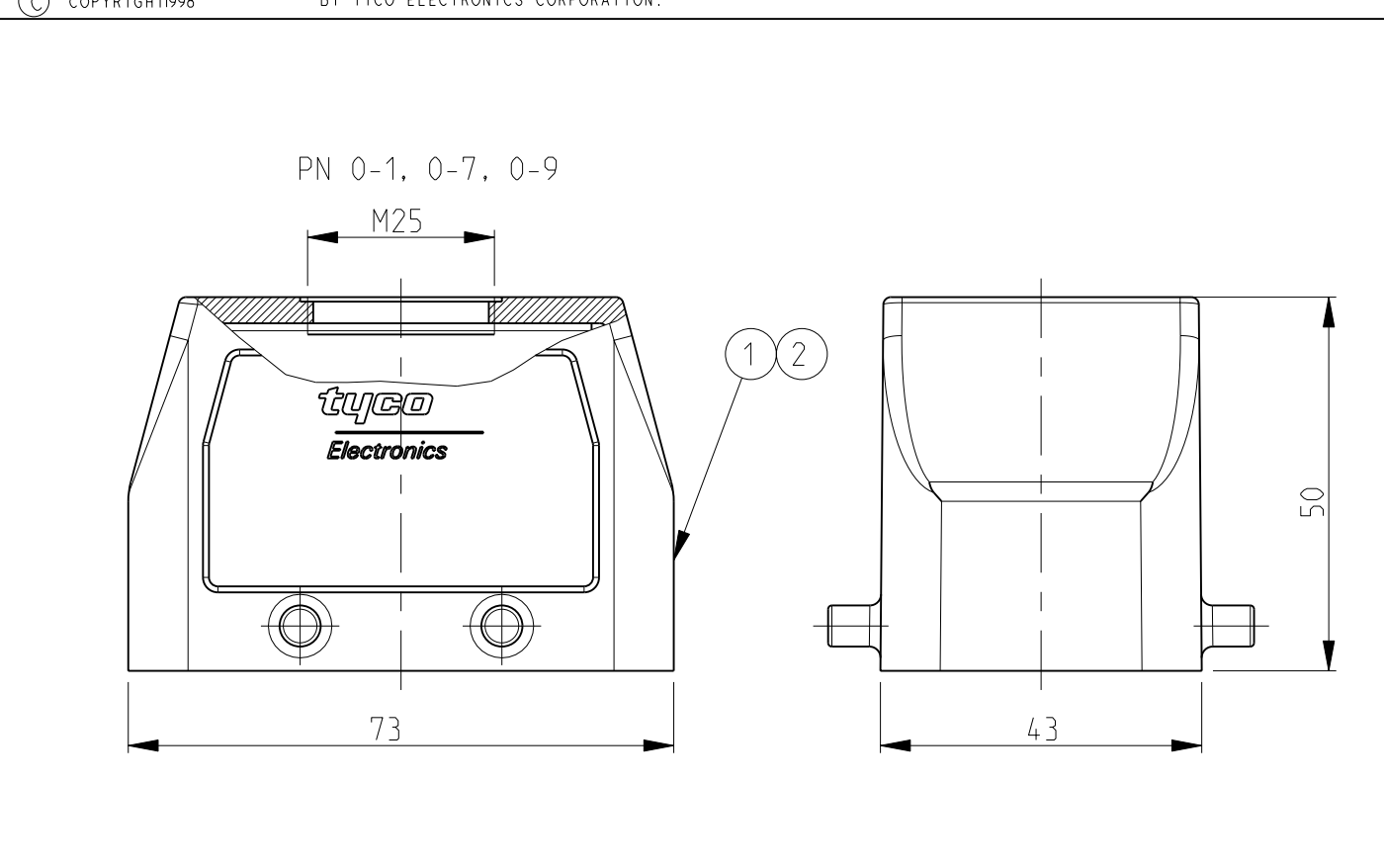


| LOC | DIST          | REVISIONS   |           |     |      |
|-----|---------------|-------------|-----------|-----|------|
| P   | LTR           | DESCRIPTION | DATE      | DWN | APVD |
| A24 | ECR-10-016861 |             | 12AUG2010 | GW  | GW   |

- NOTES
- 1 MATERIAL-HOUSING ALUMINIUM DIECASTING ALLOY
  - 2 SURFACE-POWDER VARNISH GREY  
-ALUMINIUM OXIDE  
-VARNISH BLACK
  - 3 PACKAGING QUANTITY 5 PIECES IN A BOX
  - 4 VARNISH ON THE INSIDE NOT NECESSARY
  - 5 SPECIAL PACKAGING QUANTITY 50 PIECES IN A KANBAN BOX
  - 6 SPECIAL PACKAGING QUANTITY 130 PIECES IN A KANBAN BOX
  - 7 OBSOLETE PARTS: OBSOLETE CIS STREAMLINING PER D.RENAUD/D.SINISI



| QTY | ITEM NO | DESCRIPTION          | MATERIAL        | SURFACE         | COLOR | ITEM NO | NOTES |
|-----|---------|----------------------|-----------------|-----------------|-------|---------|-------|
| 1   | 1       | HB-EMV HOOD          | ALUMINIUM       | SEE NOTE        | BLANC | 21      |       |
| 1   | 1       | HB-EMV HOOD          | ALUMINIUM       | SEE NOTE        | BLANC | 20      |       |
|     |         | HB HOOD              | ALUMINIUM       |                 | BLANK | 19      |       |
|     |         | HB HOOD              | ALUMINIUM       |                 | BLANK | 18      |       |
|     |         | HB-EMV HOOD          | ALUMINIUM       | SEE NOTE        | BLACK | 17      |       |
|     |         | ZB-CLIP FIXING       | STEEL           | ZINC PLATED     | BLUE  | 16      |       |
|     |         | ZB-SIDE CLIP         | STEEL           | ZINC PLATED     | BLUE  | 15      |       |
|     |         | LB-SLIDE SPOOL       | STEEL           | ZINC PLATED     | BLUE  | 14      |       |
|     |         | LB-CLIP BOLT         | STAINLESS STEEL | BLANK           |       | 13      |       |
|     |         | LB-CLIP BOLT         | STEEL           | ZINC PLATED     | BLUE  | 12      |       |
|     |         | VS-CLIP SPRING RIGHT | STAINLESS STEEL | BLANK           |       | 11      |       |
|     |         | VS-CLIP SPRING RIGHT | STEEL           | ZINC PLATED     | BLUE  | 10      |       |
|     |         | VS-CLIP SPRING LEFT  | STAINLESS STEEL | BLANK           |       | 9       |       |
|     |         | VS-CLIP SPRING LEFT  | STEEL           | ZINC PLATED     | BLUE  | 8       |       |
|     |         | VS-CLIP FIXING       | STAINLESS STEEL | BLANK           |       | 7       |       |
|     |         | VS-CLIP FIXING       | STEEL           | ZINC PLATED     | BLUE  | 6       |       |
|     |         | VS-SIDE CLIP         | STAINLESS STEEL | BLANK           |       | 5       |       |
|     |         | VS-SIDE CLIP         | STEEL           | ZINC PLATED     | BLUE  | 4       |       |
|     |         | VS-CLIP BOLT         | STAINLESS STEEL | BLANK           |       | 3       |       |
|     |         | HB-K HOOD            | ALUMINIUM       | ALUMINIUM OXIDE | BLACK | 2       |       |
|     |         | HB HOOD              | ALUMINIUM       |                 | GREY  | 1       |       |

ORDERING TEXT

|                          |                          |                      |                        |                      |                   |                          |                        |                      |                        |                      |                     |                         |                      |                         |                        |                     |                      |                      |                   |                      |                   |
|--------------------------|--------------------------|----------------------|------------------------|----------------------|-------------------|--------------------------|------------------------|----------------------|------------------------|----------------------|---------------------|-------------------------|----------------------|-------------------------|------------------------|---------------------|----------------------|----------------------|-------------------|----------------------|-------------------|
| HB-EMV-10-STO-GR-2-M25-G | HB-EMV-10-STO-GR-1-M25-G | HB-10-STO-GR-2-M25-G | HB-K-10-ST5-VS-1-M25-G | HB-10-ST5-GR-1-M25-G | HB-10-ST5-1-M20-G | HB-EMV-10-ST5-GR-1-M25-G | HB-K-10-ST5-GR-1-M25-G | HB-10-ST5-GR-1-M25-G | HB-Z-10-ST5-ZB-1-M25-G | HB-10-ST5-GR-1-M25-G | HB-K-10-ST5-1-M20-G | HB-10-ST5-VS-1-M25-G-KM | HB-10-ST5-1-M25-G-KM | HB-10-STO-VS-1-M25-G-KM | HB-K-10-STO-VS-1-M25-G | HB-K-10-STO-1-M25-G | HB-10-ST5-VS-1-M25-G | HB-10-ST5-GR-1-M25-G | HB-10-ST5-1-M25-G | HB-10-STO-GR-1-M25-G | HB-10-STO-1-M25-G |
| 1                        | 1                        | 1                    | 1                      | 1                    | 1                 | 1                        | 1                      | 1                    | 1                      | 1                    | 1                   | 1                       | 1                    | 1                       | 1                      | 1                   | 1                    | 1                    | 1                 | 1                    | 1                 |

|                    |   |   |   |
|--------------------|---|---|---|
| DIMENSIONS: mm<br> | TOLERANCES UNLESS OTHERWISE SPECIFIED:<br>mm<br>FRACTIONAL DECIMALS<br>0 1 2 3 4 5 6 7 8 9<br>+0.000 +0.005 +0.010 +0.015 +0.020 +0.030 +0.040 +0.050 +0.075 +0.100<br>H h<br>+ + + + + + + + + +<br>- - - - - - - - - -<br>M L<br>- - - - - - - - - -<br>+ + + + + + + + + +<br>- - - - - - - - - -<br>M L<br>- - - - - - - - - -<br>+ + + + + + + + + + | DWN SCHNEIDER 11.12.2002<br>GW SCHWELGER 11.12.2002<br>NAME<br>PRODUCT SPEC 108-740001/108-740003<br>APPLICATION SPEC 114-740001/114-740004<br>WEIGHT<br>CUSTOMER DRAWING | Tyco Electronics AMP GmbH<br>D-53757 Sankt Augustin, Germany<br>NAME HOOD HB.10 WITH M-THREAD<br>SIZE CAGE CODE DRAWING NO. A   00779 C=1106430<br>RESTRICTED TO SCALE 1:1 SHEET 1 OF 1 REV A24 |
|--------------------|---|---|---|