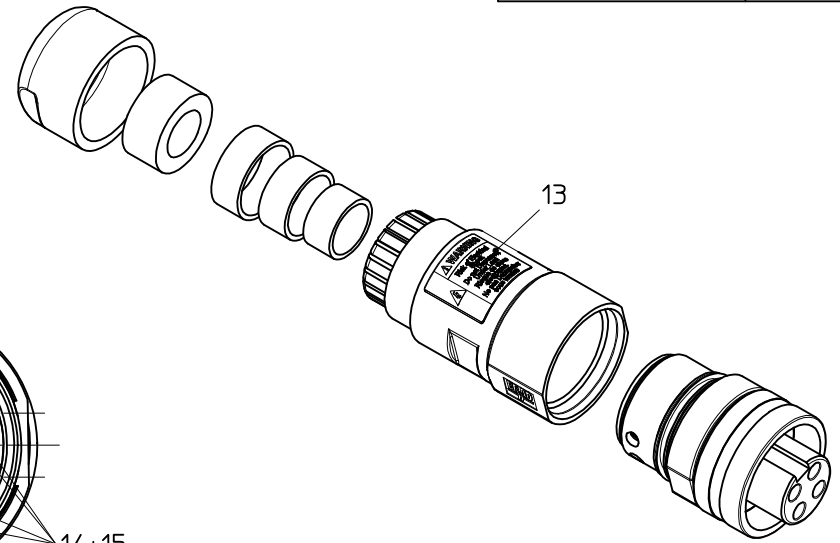
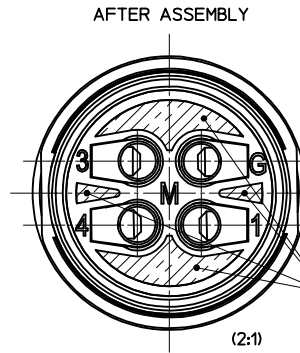
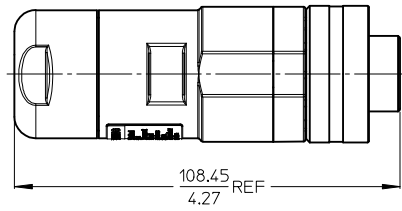


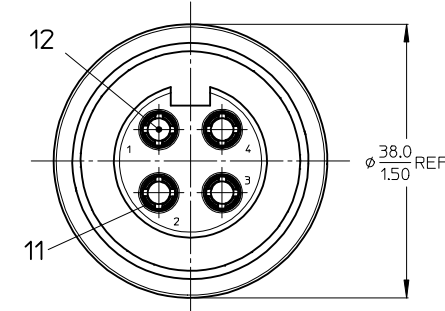
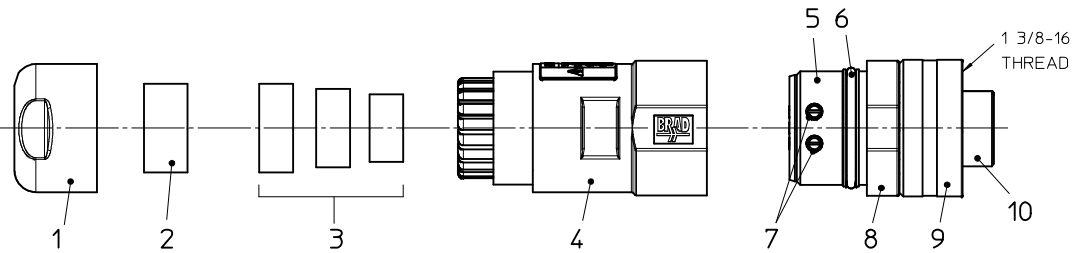
NOTES:

1. MATERIAL: SEE TABLE
2. FINISHES: SEE TABLE
3. PACKAGING: PART IS PACKED IN CLEAR POLY BAG WITH BARCODE LABEL ATTACHED
4. MATES WITH: BRAD MALE RECEPTACLE
5. WIRE RANGE: 8 AWG - 14 AWG (10mm² - 2.5mm²)
6. CABLE OD RANGE: .48 - .81 (12.2mm - 20.6mm)
7. ELECTRICAL SPECIFICATIONS:
 - VOLTAGE RATING: 600V AC
 - CURRENT RATING:
 - 8 AWG - 32 AMPS
 - 10 AWG - 32 AMPS
 - 12 AWG - 20 AMPS
 - 14 AWG - 15 AMPS
8. ENVIRONMENTAL PROTECTION: IP67, IP69K

MATERIAL NO.	ENGINEERING NO.
1300700023 (FINISHED PART)	CA4000-39
1203360005 (PRE-ASSEMBLED)	1930 00090 08004



14+15
ULTIMATE HEIGH POTTING MATERIAL
ABOUT 2mm UNTIL UNDER THE EDGE



ITEM	COMPONENT	MATERIAL	FINISH
1	NUT M32	PA66	BK
2	GASKET MO 14.8x12.25	CR	GY
3	GASKETS MO (SMALL,MEDIUM,LARGE)	CR	BK
4	HOUSING FA M32	PA66	BK
5	INSERT ADAPTER	PA66	BK
6	GASKET OR 29x2.5	NBR	BK
7	SCREW M4x10	V2A	-
8	COUPLING RING	PA66	BK
9	NUT, INTERNAL THREAD	AL	AN (NATUR)
10	INSERT AC	PVC	-
11	SLEEVE	BRASS ALLOY	ZN
12	CONTACT 31.2MM FE	CU ALLOY	AU PLATED
13	WARNING LABEL	PLASTIC FILM	-
14	POTTING MATERIAL	WEVO RESIN PU 552 FL NATUR 50	-
15	MPIS RESIN HARDNER	-	-

CURRENT WAS 25 AMPS EC NO: IFC2017-0717 DRAWN BY: DRWINRSTONE 2017/01/26 CHKD BY: CHIKK K COX 2017/01/30 APPR: BWOODMAN 2017/02/04	QUALITY SYMBOLS ▼=0 ▽=0	GENERAL TOLERANCES (UNLESS SPECIFIED) <table border="1"> <thead> <tr> <th></th> <th>mm</th> <th>INCH</th> </tr> </thead> <tbody> <tr><td>4 PLACES</td><td>± .005</td><td>± .0005</td></tr> <tr><td>3 PLACES</td><td>± .005</td><td>± .0005</td></tr> <tr><td>2 PLACES</td><td>± .005</td><td>± .0005</td></tr> <tr><td>1 PLACE</td><td>± 0.3</td><td>± .012</td></tr> <tr><td>0 PLACE</td><td>± .005</td><td>± .0005</td></tr> </tbody> </table> ANGULAR ±1/2° DRAFT WHERE APPLICABLE MUST REMAIN WITHIN DIMENSIONS		mm	INCH	4 PLACES	± .005	± .0005	3 PLACES	± .005	± .0005	2 PLACES	± .005	± .0005	1 PLACE	± 0.3	± .012	0 PLACE	± .005	± .0005	DIMENSION STYLE MM/IN	SCALE 1:1	DESIGN UNITS METRIC	THIRD ANGLE PROJECTION
		mm	INCH																					
	4 PLACES	± .005	± .0005																					
	3 PLACES	± .005	± .0005																					
2 PLACES	± .005	± .0005																						
1 PLACE	± 0.3	± .012																						
0 PLACE	± .005	± .0005																						
DRAWN BY: RSCHIEBER CHECKED BY: APOHL APPROVED BY: CBURGER	DATE: 2012/10/10 DATE: 2012/10/24 DATE: 2012/11/21	TITLE FA 4P AC FE STR UNSH																						
MATERIAL NO. SEE CHART		DOCUMENT NO. SD-120336-001		SHEET NO. 1 OF 1																				
THIS DRAWING CONTAINS INFORMATION THAT IS PROPRIETARY TO MOLEX INCORPORATED AND SHOULD NOT BE USED WITHOUT WRITTEN PERMISSION																								