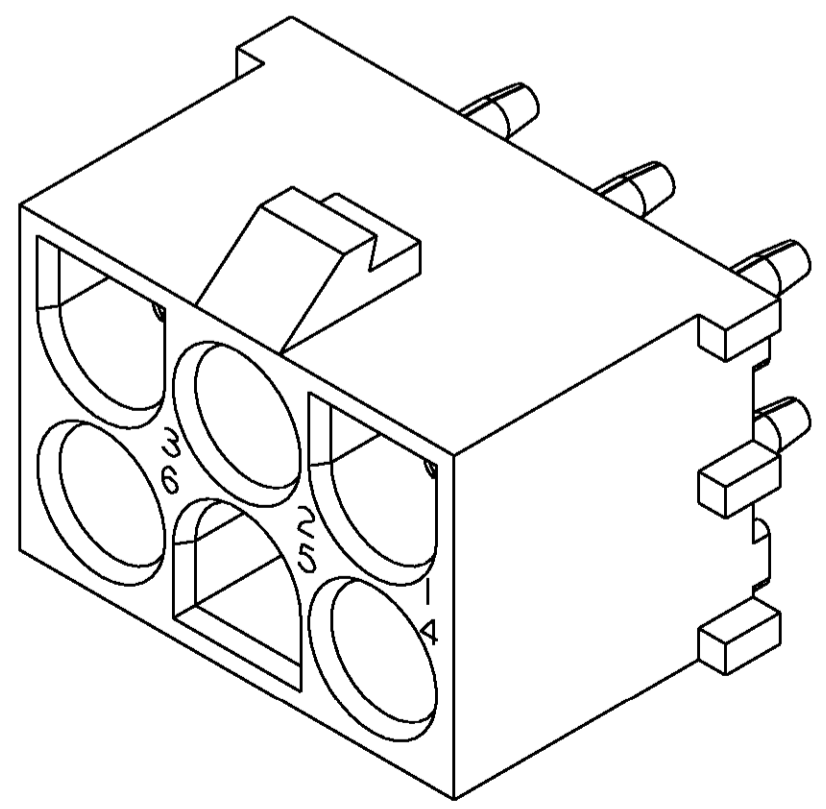
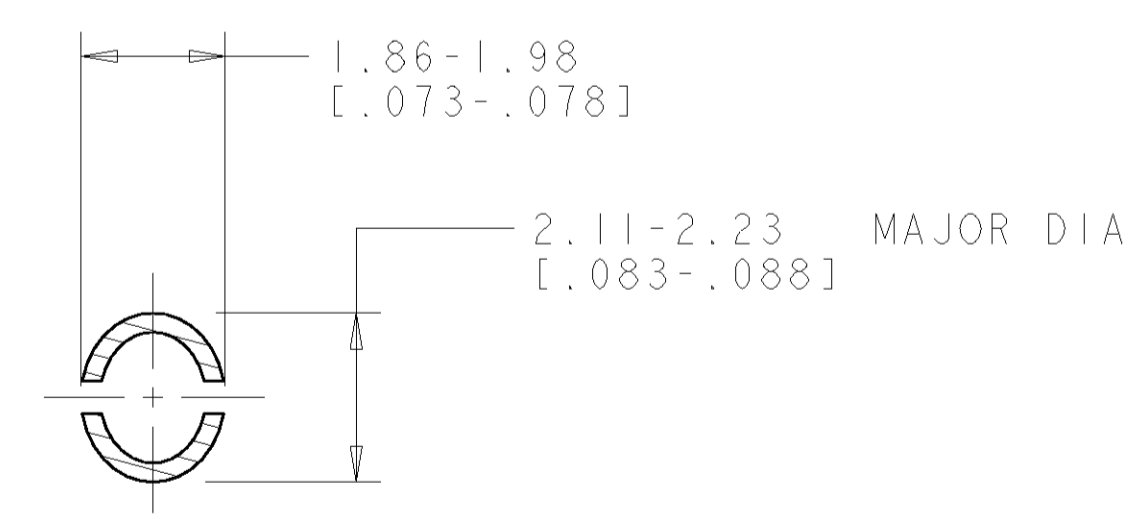
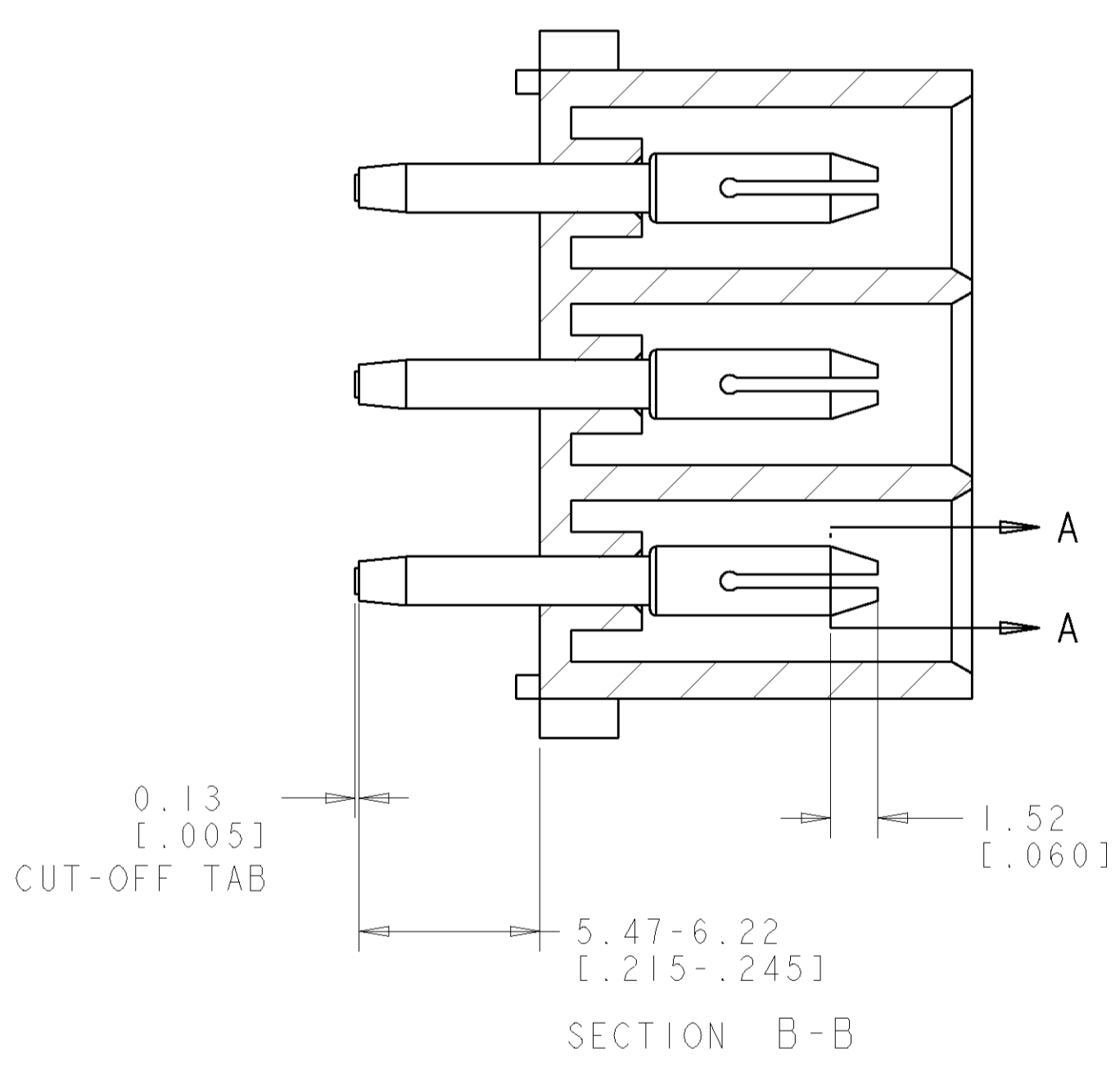
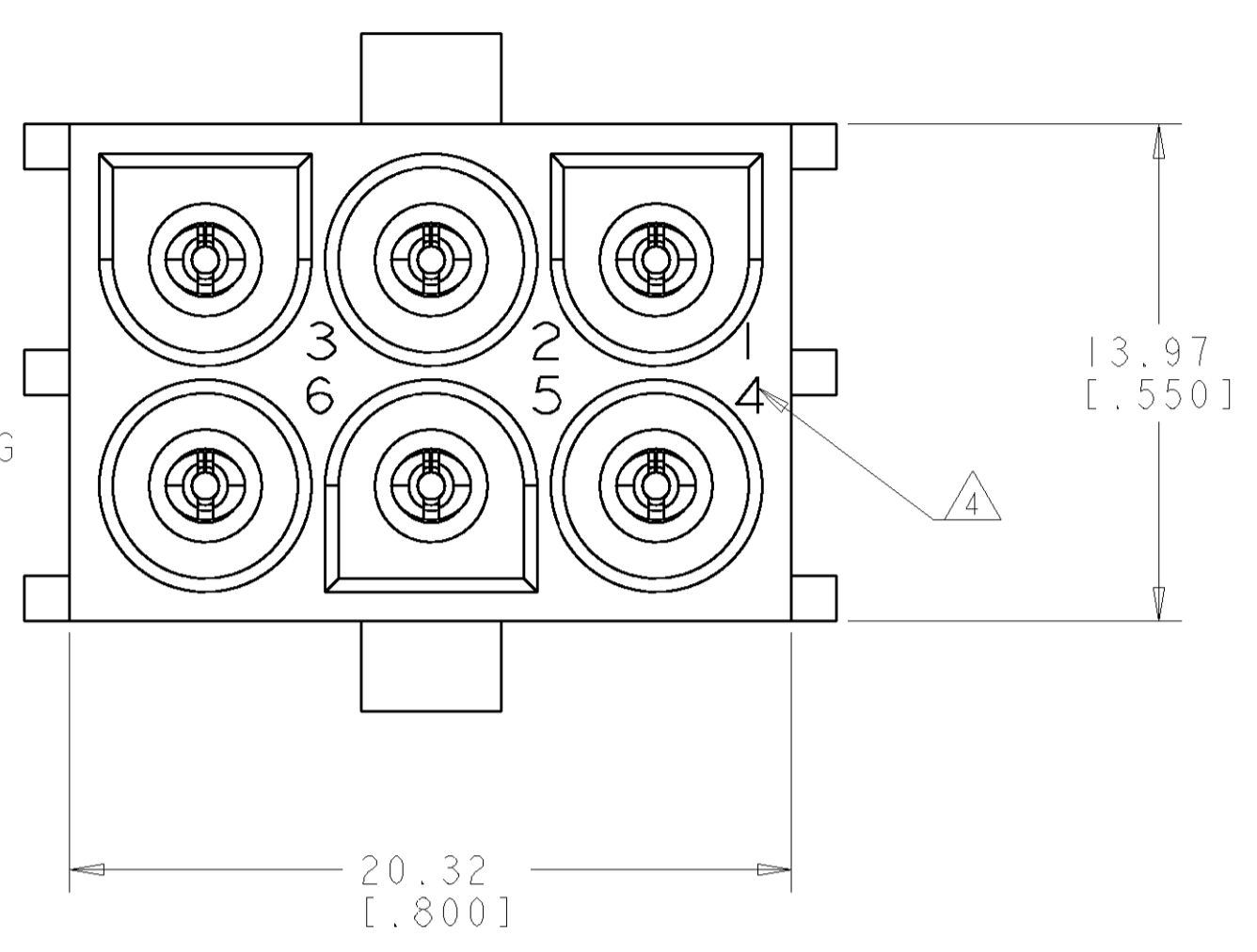
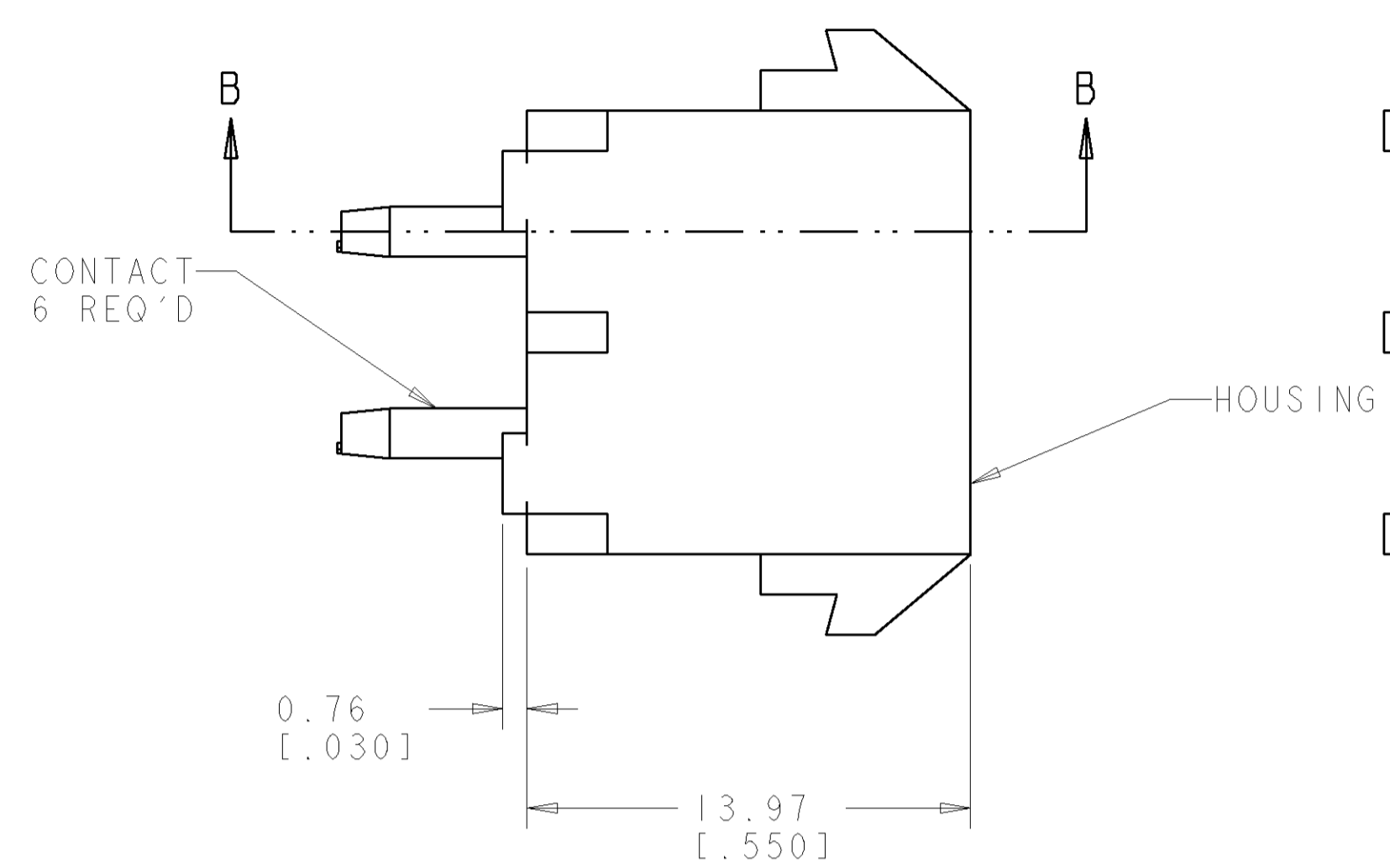
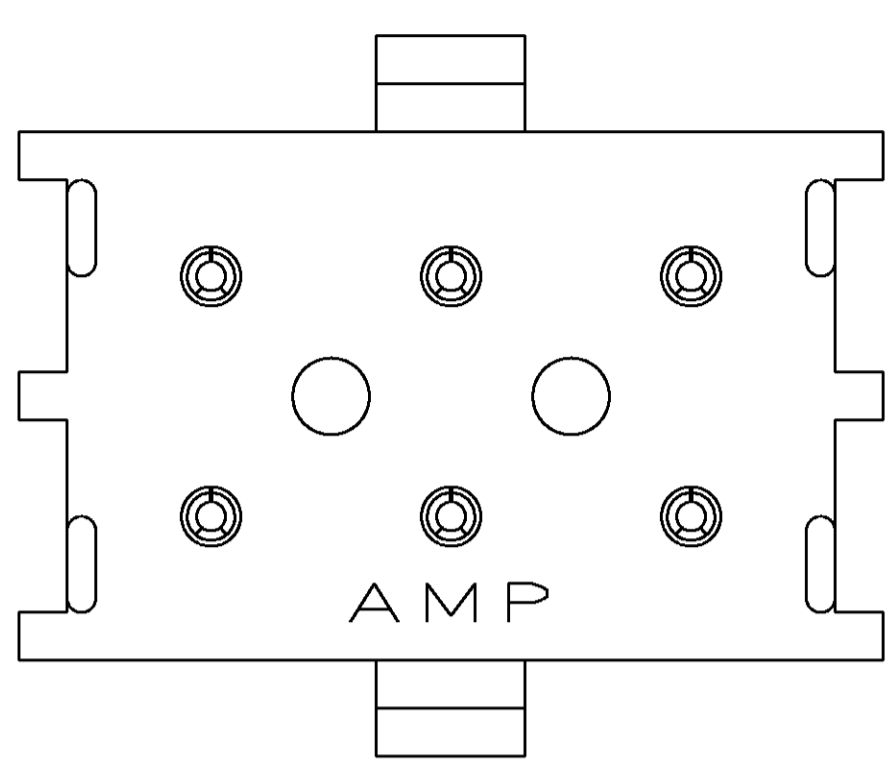
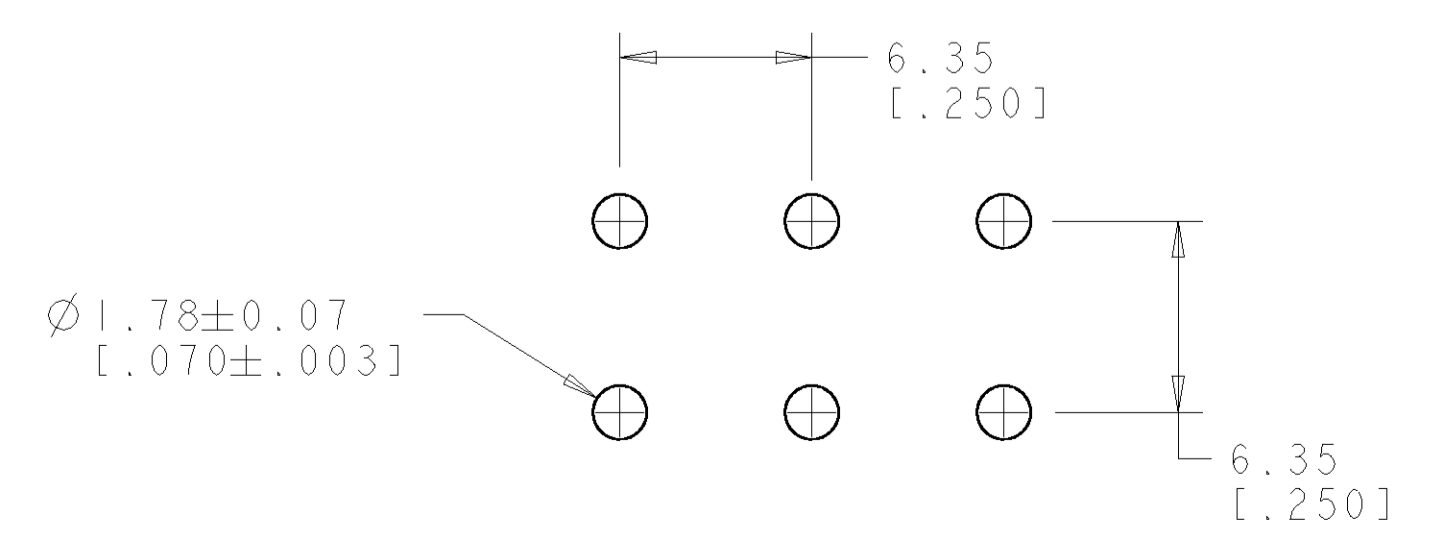


LOC	DIST	REV	DATE	BY	CHKD	APPRD
CM	00	E	20-MAR-02	KW	SR	

- PARTS MATE WITH HOUSING 480704.
- PARTS COMPLY TO AMP SOLDERABILITY SPECIFICATION 109-111-3.
- PARTS MOLDED WITHOUT DRAIN HOLES.
- CIRCUIT IDENTIFICATION CHARACTERS ARE ADJACENT TO THE INDICATED CAVITIES, BUT LOCATION AND ORIENTATION MAY DIFFER FROM PRINT.
- DIMENSIONS IN BRACKETS ARE IN INCHES.



3 DIMENSIONAL MODEL
SCALE 4:1



RECOMMENDED MOUNTING HOLE PATTERN
FOR 3.17 [.125] THICK P.C. BOARD

PHOSPOR BRONZE, PRE-TIN PIN CONTACT MATERIAL AND FINISH	NYLON, UL94V-2, NATURAL HOUSING MATERIAL AND COLOR	643749-1 PART NUMBER									
<table border="1"> <tr> <td>DIMENSIONS: mm [INCHES]</td> <td>TOLERANCES UNLESS OTHERWISE SPECIFIED:</td> <td>DRAWN R. WHITAKER</td> <td>DATE 20-MAR-2002</td> <td rowspan="2"> Tyco Electronics Harrisburg, PA 17105-3608 </td> </tr> <tr> <td>MATERIAL SEE TABLE</td> <td>FINISH SEE TABLE</td> <td>CHKD S. RIDGILL</td> <td>DATE 20-MAR-2002</td> </tr> </table>			DIMENSIONS: mm [INCHES]	TOLERANCES UNLESS OTHERWISE SPECIFIED:	DRAWN R. WHITAKER	DATE 20-MAR-2002	Tyco Electronics Harrisburg, PA 17105-3608	MATERIAL SEE TABLE	FINISH SEE TABLE	CHKD S. RIDGILL	DATE 20-MAR-2002
DIMENSIONS: mm [INCHES]	TOLERANCES UNLESS OTHERWISE SPECIFIED:	DRAWN R. WHITAKER	DATE 20-MAR-2002	Tyco Electronics Harrisburg, PA 17105-3608							
MATERIAL SEE TABLE	FINISH SEE TABLE	CHKD S. RIDGILL	DATE 20-MAR-2002								
NAME PIN HEADER ASSEMBLY, 6 CIRCUIT, UNIVERSAL MATE-N-LOK™		RESTRICTED TO									
WEIGHT -		SCALE 5:1 SHEET 1 OF 1 REV E									

