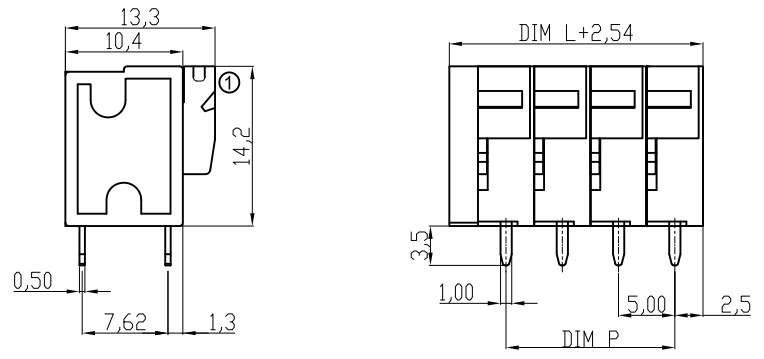
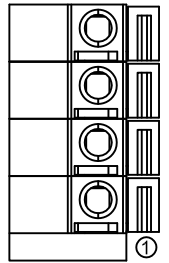


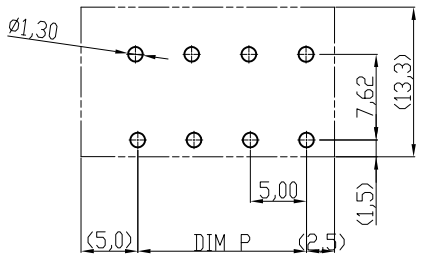
A  
B  
C  
D  
E  
F  
G  
H

A  
B  
C  
D  
E  
F  
G  
H



**Material**  
 Terminal body(Contact pin): Brass  
 Wire guard:Stainless steel  
 Surface of Solder tail: Tin plated  
 Terminal (housing): Thermoplastic (UL94V-0) , GREEN(RAL6018/T)

**Electrical** cULus/VDE  
 Voltage rating: 300VAC/250VAC  
 Current rating: 10A/10A  
 Wire range: 0.75-1.5mm<sup>2</sup>  
 Solid wire(AWG): 14-24  
 Stranded wire(AWG): 14-24  
 Pull force:  
 Screw:  
 Wire strip length: 9-10mm  
 Withstanding Voltage: 1.6KV/2KV  
 Operating temperature: -40°C to +115°C  
 Soldering temperature: 250°C±10°C/5 Sec  
 Safety Approval:



RECOMMENDER PCB LAYOUT

**DIMENSION**

L	Nx5.0
P	(N-1)x5.0

N=Number of poles

Poles	Tolerance	
	DIM L	DIM P
2p-6p	±0.20	±0.20
7p-12p	±0.25	±0.25
13p-24p	±0.40	±0.40

**RoHS compliant**  
Unit: mm

Scale	Free				Date	Name	Customer-No.
TOLERANCE					Drawn	19.04.2010	Alex
X.	±0.50				Approved	17.04.2013	Amy
X.X	±0.30						
X.XX	±0.10						
DIM	TOL	①	Update	17.04.2013	Amy	ASSMANN WSW-No. <b>A-TB500-HAxxV</b>	
X.°	±1°	②	Drawn	19.04.2010	Alex		
Angle	TOL	Id.	Modification	Date	Name	Drawing-No.	ASS 4119 CO
						Replace	rev01
							Sheet

