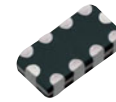


### Common mode Noise Filter Array with ESD Suppressor



Type: **EXC18CS**

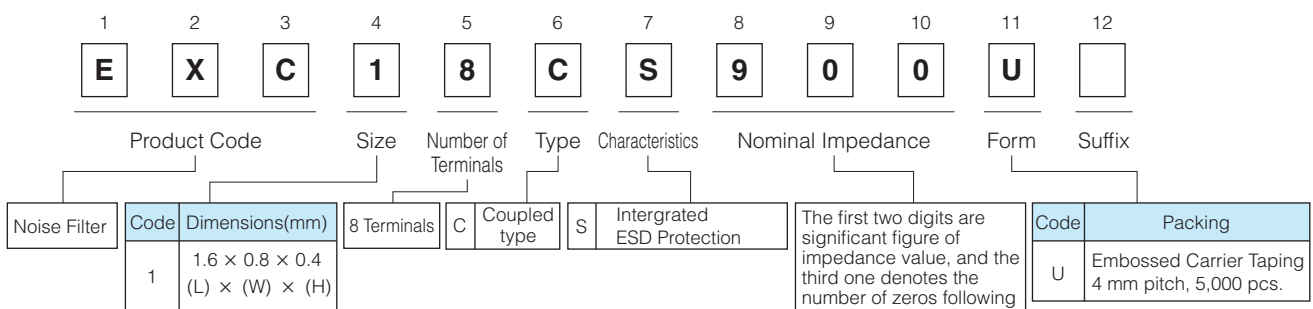
#### Features

- Provides EMI Filtering and ESD Protection (L 1.6 mm×W 0.8 mm×H 0.4 mm)
- ESD and noise suppression of high-speed differential transmission lines with little influence of waveform rounding on signal transmission
- High Common mode attenuation in the range between 700 MHz and 1 GHz (RF band)
- Strong multilayer/sintered structure, excellent reflow resistance and high mounting reliability
- Lead, halogen and antimony-free
- RoHS compliant

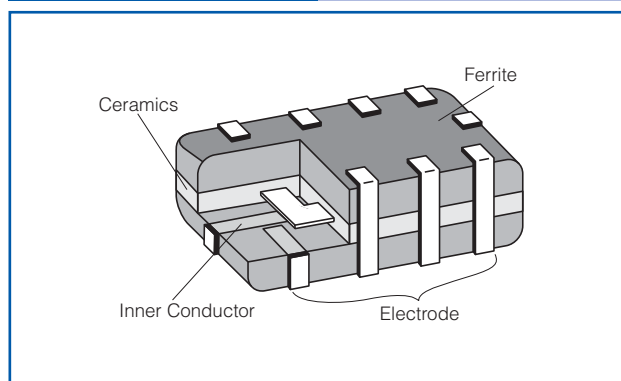
#### Recommended Applications

- Smartphones, Tablet PCs and DSC
- ESD and noise suppression of high-speed differential data lines such as MIPI and USB

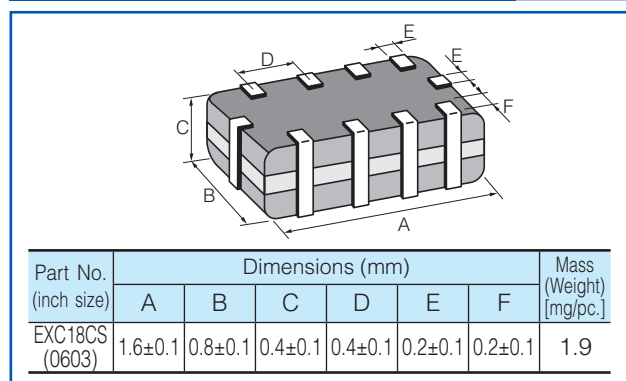
#### Explanation of Part Numbers



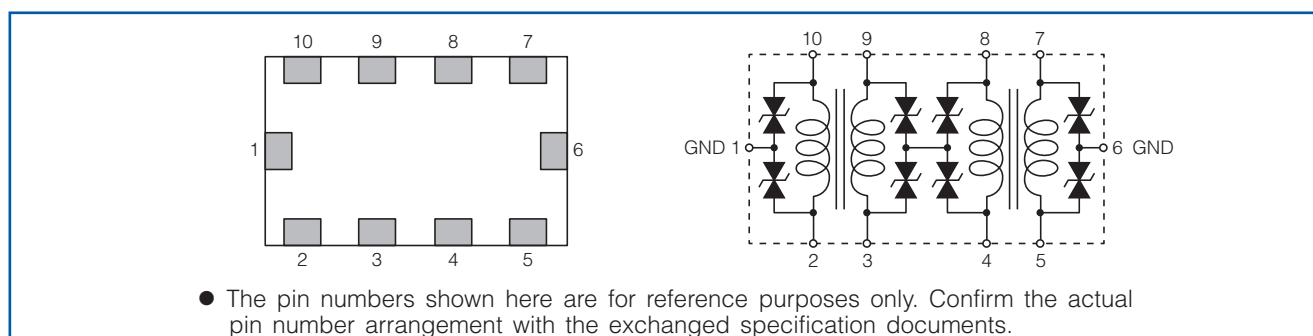
#### Construction



#### Dimensions in mm (not to scale)



#### Circuit Configuration (No Polarity)



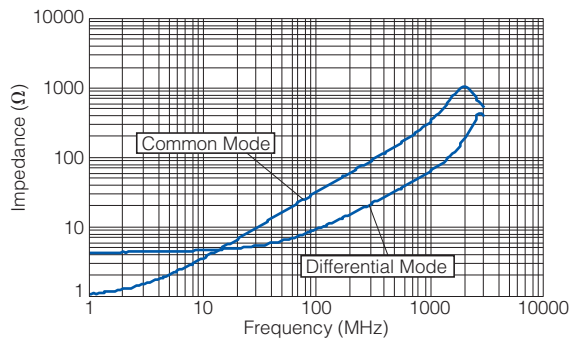
### Ratings

Part Number	Impedance ( $\Omega$ ) at 100 MHz		Rated Voltage (V DC)	Rated Current (mA DC)	DC Resistance ( $\Omega$ )
	Common Mode	Differential Mode			
EXC18CS350U	35 $\Omega \pm 30\%$	15 $\Omega$ max.	5	100	1.8 $\pm 30\%$
EXC18CS900U	90 $\Omega \pm 20\%$	20 $\Omega$ max.	5	100	3.0 $\pm 30\%$

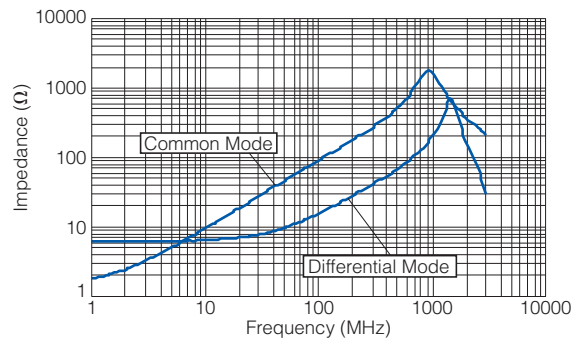
- Category Temperature Range  $-40\text{ }^{\circ}\text{C}$  to  $+85\text{ }^{\circ}\text{C}$

### Impedance Characteristics (Typical)

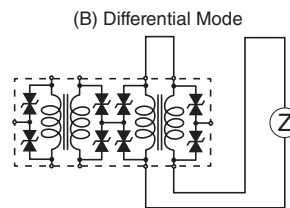
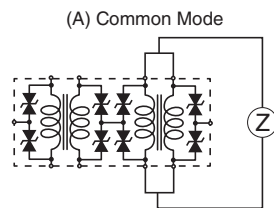
#### ● EXC18CS350U



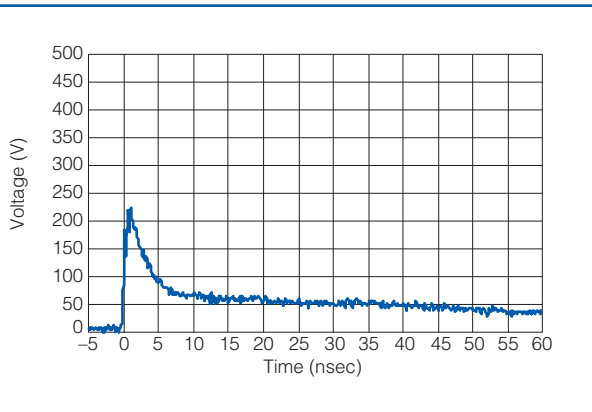
#### ● EXC18CS900U



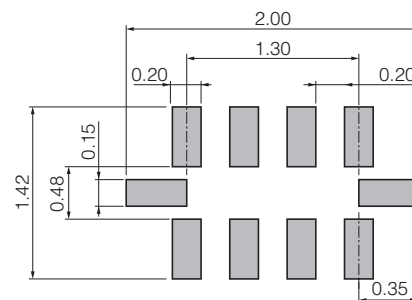
#### ● Measurement Circuit



### ESD Suppression Characteristics (Typical: IEC61000-4-2, 8 kV contact discharge)



### Recommended Land Pattern Design in mm (not to scale)



### ■ As for Packaging Methods, Soldering Conditions and Safety Precautions,

Please see Data Files